

ABB DRIVES FOR WATER

# ACQ580-04 drive modules

## Quick installation guide



English .....3

EN

English - USA...9

USA

Deutsch.....17

DE

Español.....23

ES

Suomi .....29

FI

Français .....35

FR

Русский .....41

RU

Svenska.....47

SV

# Related documents

## Drive hardware manuals and guides

	Code (English)
ACQ580-04 drive modules hardware manual	<a href="#">3AXD50000048677</a>
ACQ580-04 drive modules quick installation guide	<a href="#">3AXD50000048678</a>
ACX-AP-x Assistant control panels user's manual	<a href="#">3AUA0000085685</a>

## Drive firmware manuals

ACQ580 pump control program firmware manual	<a href="#">3AXD50000035867</a>
ACQ580 drives with pump control program quick start-up guide	<a href="#">3AXD50000048773</a>

## Option manuals and guides

DPMP-02/03 mounting platform for control panels installation guide	<a href="#">3AUA0000136205</a>
Manuals and quick guides for I/O extension modules, fieldbus adapters, etc.	
CCA-01 communication adapter quick guide	<a href="#">3AXD50000018457</a>
CPTC-02 ATEX-certified thermistor protection module, Ex II (2) GD (+L537+Q971) user's manual	<a href="#">3AXD50000030058</a>
FDNA-01 DeviceNet™ adapter module user's manual	<a href="#">3AFE68573360</a>
FENA-01/-11/-21 Ethernet adapter module user's manual	<a href="#">3AUA0000093568</a>
FPBA-01 PROFIBUS DP adapter module user's manual	<a href="#">3AFE68573271</a>
FSCA-01 RS-485 adapter module user's manual	<a href="#">3AUA0000109533</a>
FOCH du/dt filters hardware manual	<a href="#">3AFE68577519</a>

## Tool and maintenance manuals and guides

Drive composer PC tool user's manual	<a href="#">3AUA0000094606</a>
Capacitor reforming instructions	<a href="#">3BFE64059629</a>
NETA-21 remote monitoring tool user's manual	<a href="#">3AUA0000096939</a>
NETA-21 remote monitoring tool installation and startup guide	<a href="#">3AUA0000096881</a>

You can find manuals and other product documents in PDF format on the Internet. See section [Document library on the Internet](#) on the inside of the back cover. For manuals not available in the Document library, contact your local ABB representative.

The QR code below opens an online listing of the manuals applicable to this product.



[ACQ580-04 manuals](#)

# EN – Quick installation guide (IEC)

---

## Contents of this guide

This guide gives brief instructions on how to install the drive module in a 600 mm wide enclosure.

For more detailed instructions, engineering guidelines, technical data and complete safety instructions, see the hardware manual.

## Obey the safety instructions

See figure [A](#) on page [55](#). If you ignore the instructions, injury or death, or damage to the equipment can occur.



**WARNING!** Handle the drive module carefully. Open the support legs by pressing each leg a little down and turning it aside (1, 2).

Do not tilt the drive module. It is **heavy** and its **center of gravity is high**. The module will overturn from a sideways tilt of 5 degrees. Do not leave the module unattended on a sloping floor.

To prevent the drive module from falling, attach its top lifting lugs with chains to the cabinet frame before you push the module into the cabinet. Work carefully, preferably with help from another person. Keep a constant pressure with one foot on the base of the module to prevent the module from falling on its back.



**WARNING!** If you are not a qualified electrical professional, do not do installation or maintenance work. Go through these steps before you begin any installation or maintenance work.

1. Clearly identify the work location and equipment.
2. Disconnect all possible voltage sources.
  - Open the main disconnecter of the drive enclosure.
  - Open the disconnecter of the supply transformer. The main disconnecting device in the drive enclosure does not disconnect the voltage from the AC input power busbars of the drive enclosure.
  - Make sure that reconnection is not possible. Lock the disconnectors to the open position and attach a warning notice to them. Follow the correct lock out and tag out procedures.
  - Disconnect any external power sources from the control circuits before you touch the control cables.
  - After you disconnect the drive, always wait for 5 minutes to let the intermediate circuit capacitors discharge before you continue.
3. Protect any other energized parts in the work location against contact.
4. Take special precautions when close to bare conductors.

#### 4 EN – Quick installation guide (IEC)

5. Measure that the installation is de-energized.
    - Use a multimeter with an impedance of at least 1 Mohm.
    - Make sure that the voltage between the drive module input power terminals (L1/U1, L2/V1, L3/W1) and the grounding (PE) busbar is close to 0 V.
    - Make sure that the voltage between the drive module UDC+ and UDC- terminals and the grounding (PE) busbar is close to 0 V.
  6. Install temporary grounding as required by the local regulations.
  7. Ask the person in control of the electrical installation work for a permit to work.
- 

EN

## Select the power cables

Size the power cables according to local regulations to carry the nominal current given on the type designation label of your drive.

## Ensure the cooling

See the table on page 54 for the losses and the cooling air flow through the drive. The allowed operating temperature range of the drive without derating is -15 to +40 °C. For more information, see the hardware manual.

## Protect the drive and input power cables

See *Fuses (IEC)* on page 53 for aR fuses for protection against short-circuit in the input power cable or drive.

## Install the drive module in a cabinet

See figure B on page 55:

- Install the punched section to the back of the cabinet frame.
- Install the support rails and pedestal guide plate to the cabinet bottom frame.
- Install the telescopic insertion/extraction ramp to the pedestal guide plate.

Option +B051: See figure C on page 55:

- Remove the sheeting from the clear plastic shrouds from both sides.

See figure D on page 55:

- Install the fastening bracket to the drive module.
- Option +B051:
  - Install the bottom grille to the drive module if there is no bottom plate in the cabinet and degree of protection of IP20 is needed for the drive module from the bottom side.
  - Install the top metallic shroud to the drive module.
  - Install the back shrouds to the drive module.

See figure E on page 55:

- To prevent the drive module from falling, attach its lifting lugs with chains to the cabinet frame.
  - Push the drive module into the cabinet along the telescopic insertion/extraction ramp.
  - Remove the ramp.
-

See figure [F](#) on page [55](#):

- Attach the drive module to the pedestal guide plate.
- Attach the drive module from its top to the punched section at the cabinet back. **Note:** The fastening bracket grounds the drive module to the cabinet frame.

## Measure the insulation of the input and motor cables and the motor

Before you connect the input power cable to the drive, measure its insulation according to local regulations.

See figure [H](#) on page [56](#). Ground the motor cable shield at the motor end. For minimal interference, make a 360-degree grounding at the cable entry, or keep the pig tail short.

Measure the insulation of the motor and motor cable when the motor cable is disconnected from the drive, see figure [I](#) on page [56](#). Measure the insulation resistance between each phase conductor and the Protective Earth conductor. Use a measuring voltage of 1000 V DC. The insulation resistance of an ABB motor must be more than 100 Mohm (reference value at 25 °C). For the insulation resistance of other motors, refer to the manufacturer's instructions. **Note:** Moisture inside the motor casing reduces the insulation resistance. If you suspect moisture, dry the motor and repeat the measurement.

## Check the grounding system compatibility

### ■ EMC filter compatibility

The drive has an internal EMC filter (+E210) as standard. You can install the drive with the EMC filter connected to a symmetrically grounded TN-S system, IT system, corner-grounded delta, mid-point-grounded delta and TT system.

### ■ Ground-to-phase varistor compatibility

The drive is equipped with an internal ground-to-phase varistor as standard. You can install the drive with the ground-to-phase varistor connected to a symmetrically grounded TN-S system, corner-grounded delta and mid-point-grounded delta system. If you install the drive to an IT system or a TT system, you need to disconnect the varistor. See section *Ground-to-phase varistor disconnecting instructions – IEC, not North America* in the hardware manual.

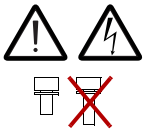


**WARNING!** Do not install the drive with ground-to-phase varistor connected to a system that the varistor is not suitable for. If you do, the varistor circuit can be damaged.

## Connect the power cables (and install the shrouds for option +B051)

See figure [G](#) on page [56](#).

Step	Task (motor cables)	Figure	Page
1	Install the grounding terminal to the drive module base.	<a href="#">J</a>	<a href="#">56</a>
2	Run the motor cables to the cabinet. Ground the cable shields 360 degrees at the cabinet entry.	<a href="#">K</a>	<a href="#">56</a>
3	Connect the twisted shields of the motor cables to the grounding terminal.	<a href="#">L</a>	<a href="#">56</a>

Step	Task (motor cables)	Figure	Page
4	<p>Screw in and tighten the insulators to the drive module by hand. Install the T3/W2 connection terminal to the insulators.</p>  <p><b>WARNING!</b> Do not use longer screws or greater tightening torque than given in the installation drawing. Doing either can damage the insulator and cause dangerous voltage to be present at the module frame.</p>	M	56
5	Connect the phase T3/W2 conductors to the T3/W2 terminal.	N	56
6	Install the T2/V2 connection terminal to the insulators. See the warning in step 4.	-	-
7	Connect the phase T2/V2 conductors to the T2/V2 connection terminal.	-	-
8	Install the T1/U2 connection terminal to the insulators. See the warning in step 4.	-	-
9	Connect the phase T1/U2 conductors to the T1/U2 terminal.	-	-
10	<p><u>Option +B051 (if there is no bottom plate in the cabinet and degree of protection of IP20 is needed):</u></p> <ul style="list-style-type: none"> <li>Carefully step drill sufficiently big holes to the inner clear plastic shrouds for the motor cables to be connected. Smooth the hole edges. Cut the shroud from the holes to the edge to make it possible to put the shroud around the cables.</li> <li>Remove the plastic sheeting from both sides of the shrouds.</li> </ul>	O	57
11	<u>Option +B051:</u> Put the inner clear plastic shrouds of figure O around the motor cables.	P	57
12	<u>Option +B051:</u> Remove the plastic sheeting from both sides of the output clear plastic shroud. Install the shroud to the drive module.	Q	57
13	<u>Option +B051:</u> Install the lower front cover to the drive module.	Q	57

Step	Task (input cables)	Figure	Page
1	Ground the input cable shields (if present) 360 degrees at the cabinet entry.	-	-
2	Connect the twisted shields of the input cables and separate ground cable (if present) to the cabinet grounding busbar.	-	-
3	<p><u>Option +B051:</u></p> <ul style="list-style-type: none"> <li>Carefully step drill sufficiently big holes to the cable entry clear plastic shroud for the cables to be connected.</li> <li>Align the holes in the vertical direction according to the alignment holes in the shroud. Smooth the hole edges.</li> <li>Remove the plastic sheeting from both sides of the shroud.</li> <li>Attach the cables firmly to the cabinet frame to prevent chafing against the hole edges.</li> </ul>	R	57
4	<u>Option +B051:</u> Put the conductors of the input cables through the drilled holes in the clear plastic shroud.	S	57
5	Connect the input power cable conductors to the L1/U1, L2/V1 and L3/W1 connection busbars.	T	57
6	<u>Option +B051:</u> Move the clear plastic shroud along the input cables to its final position. Install the front clear plastic shroud.	U	58
7	Install the upper front cover.	U	58
8	Remove the cardboard protective covering from the drive module air outlet.	U	58
9	<u>Option +B051:</u> Cut a hole in the side clear plastic shroud for the cable entry clear plastic shroud. Install the side and top shrouds to the drive module.	V	58

## Install the air baffles

See figure W on page 58 and *Generic cabinet planning instructions* in the hardware manual.

## Connect the control cables

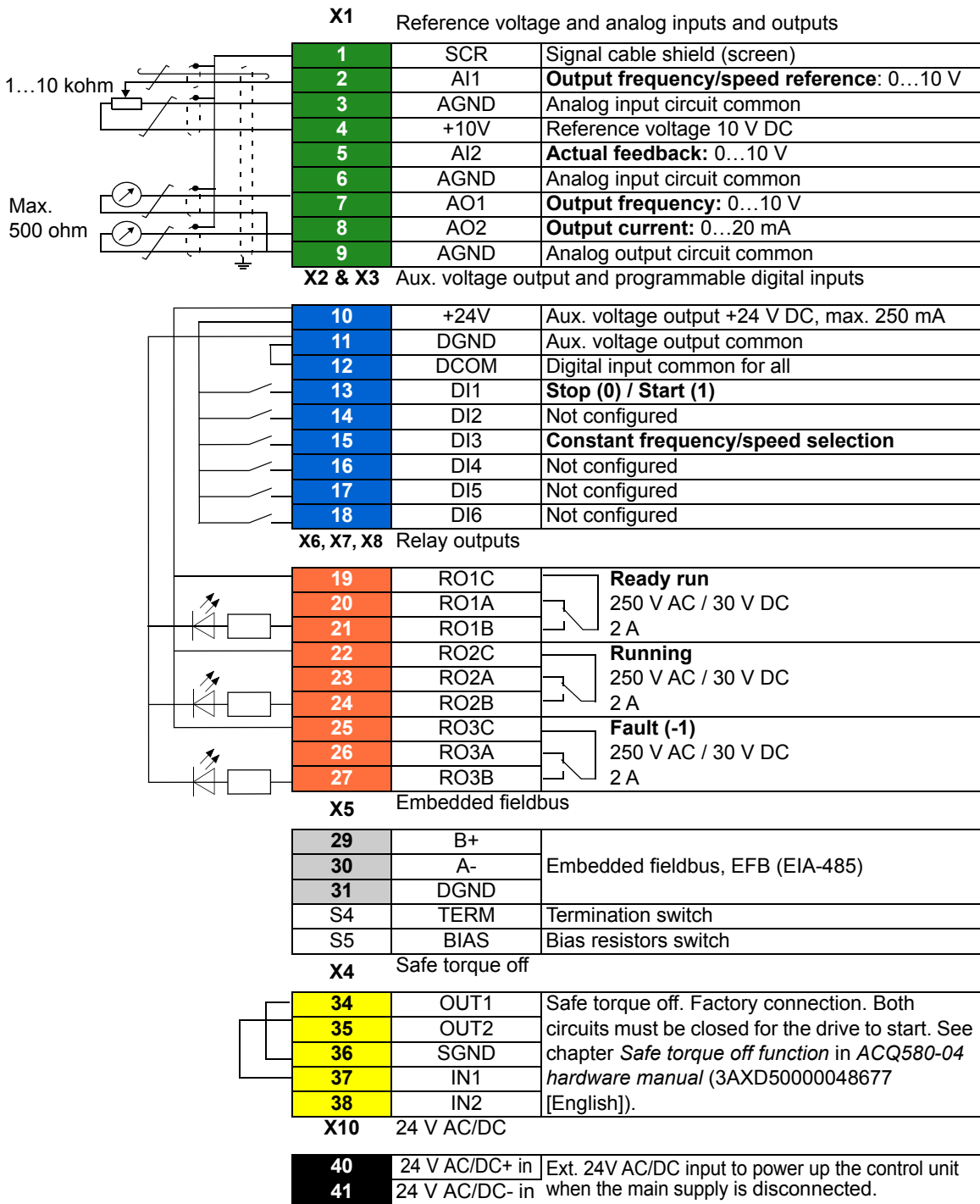
See figure X on page 58.

1. Ground the outer shields of all external control cables 360 degrees at the cabinet entry.
2. Ground the pair-cable shields of external control cables to a grounding clamp below the control unit. Leave the other end of the shields unconnected or ground them indirectly via a high-frequency capacitor with a few nanofarads, eg, 3.3 nF / 630 V.
3. Connect the conductors to the appropriate terminals of the control unit. See page 8.
4. Wire the option modules if included in the delivery.

## Default I/O connections

The default I/O connections of the Water default configuration are shown below.

EN



Total load capacity of the Auxiliary voltage output +24V (X2:10) is 6.0 W (250 mA / 24 V DC).

Digital inputs DI1...DI5 also support 10 to 24 V AC

Wire sizes: 0.14...2.5 mm<sup>2</sup> (26...16 AWG): All terminals

Tightening torques: 0.5...0.6 N·m (0.4 lbf·ft)



# EN – Quick installation guide (North America)

---

## Contents of this guide

This guide gives brief instructions on how to install the drive module in a 600 mm wide enclosure.

For more detailed instructions, engineering guidelines, technical data and complete safety instructions, see *ACQ580-04 drive modules hardware manual (3AXD50000048677 [English])*.

USA

## Obey the safety instructions

See figure [A](#) on page [55](#). If you ignore the instructions, injury or death, or damage to the equipment can occur.



**WARNING!** Handle the drive module carefully. Open the support legs by pressing each leg a little down and turning it aside (1, 2).

Do not tilt the drive module. It is **heavy** and its **center of gravity is high**. The module will overturn from a sideways tilt of 5 degrees. Do not leave the module unattended on a sloping floor.

To prevent the drive module from falling, attach its top lifting lugs with chains to the cabinet frame before you push the module into the cabinet. Work carefully, preferably with help from another person. Keep a constant pressure with one foot on the base of the module to prevent the module from falling on its back.



**WARNING!** If you are not a qualified electrical professional, do not do installation or maintenance work. Go through these steps before you begin any installation or maintenance work.

1. Clearly identify the work location and equipment.
2. Disconnect all possible voltage sources.
  - Open the main disconnecter of the drive enclosure.
  - Open the disconnecter of the supply transformer. The main disconnecting device in the drive enclosure does not disconnect the voltage from the AC input power busbars of the drive enclosure.
  - Make sure that reconnection is not possible. Lock the disconnectors to the open position and attach a warning notice to them. Follow the correct lock out and tag out procedures.
  - Disconnect any external power sources from the control circuits before you touch the control cables.
  - After you disconnect the drive, always wait for 5 minutes to let the intermediate circuit capacitors discharge before you continue.
3. Protect any other energized parts in the work location against contact.
4. Take special precautions when close to bare conductors.

5. Measure that the installation is de-energized.
    - Use a multimeter with an impedance of at least 1 Mohm.
    - Make sure that the voltage between the drive module input power terminals (L1/U1, L2/V1, L3/W1) and the grounding (PE) busbar is close to 0 V.
    - Make sure that the voltage between the drive module UDC+ and UDC- terminals and the grounding (PE) busbar is close to 0 V.
  6. Install temporary grounding as required by the local regulations.
  7. Ask the person in control of the electrical installation work for a permit to work.
- 

## Select the power cables

Size the power cables according to local regulations to carry the nominal current given on the type designation label of your drive.

## Ensure the cooling

See the table on page 54 for the losses and cooling air flow through the drive. The allowed operating temperature range of the drive without derating is -15 to +40 °C.

For more information, see *ACQ580-04 drive modules hardware manual* (3AXD50000048677 [English]).

## Protect the drive and input power cables

See *Fuses (UL)* on page 53 for branch circuit protection per NEC. Obey local regulations.

## Install the drive module in a cabinet

See figure B on page 55:

- Install the punched section to the back of the cabinet frame.
- Remove the pedestal guide plate from the bottom of the drive module.
- Install the support rails and pedestal guide plate to the cabinet bottom frame.
- Install the telescopic insertion/extraction ramp to the pedestal guide plate.

Option +B051: See figure C on page 55:

- Remove the sheeting from the clear plastic shrouds from both sides.

See figure D on page 55:

- Install the fastening bracket to the drive module.
- Option +B051:
  - Install the bottom grille to the drive module if there is no bottom plate in the cabinet and degree of protection of IP20 is needed for the drive module from the bottom side.
  - Install the top metallic shroud to the drive module.
  - Install the back shrouds to the drive module.

See figure E on page 55:

- Attach the drive module to the cabinet frame with chains.
  - Push the drive module into the cabinet along the telescopic insertion/extraction ramp.
  - Remove the ramp.
-

See figure [F](#) on page [55](#):

- Attach the drive module to the pedestal guide plate.
- Attach the drive module from its top to the punched section at the cabinet back. **Note:** The fastening bracket grounds the drive module to the cabinet frame.

## Measure the insulation of the input and motor cables and the motor

Before you connect the input power cable to the drive, measure its insulation according to local regulations.

See figure [H](#) on page [56](#). Ground the motor cable shield at the motor end. For minimal interference, make a 360-degree grounding at the cable entry, or keep the pig tail short.

Measure the insulation of the motor and motor cable when the motor cable is disconnected from the drive, see figure [I](#) on page [56](#). Measure the insulation resistance between each phase conductor and the Protective Earth conductor using a measuring voltage of 1000 V DC. The insulation resistance of an ABB motor must exceed 100 Mohm (reference value at 25 °C). For the insulation resistance of other motors, refer to the manufacturer's instructions. **Note:** Moisture inside the motor casing reduces the insulation resistance. If you suspect moisture, dry the motor and repeat the measurement.

USA

## Check the grounding system compatibility

### ■ EMC filter compatibility

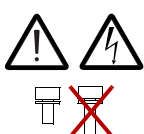
The drive has an internal EMC filter (+E210) as standard. However, for the UL (NEC) drive types, the filter is disconnected as default. The filter is typically not needed in North American installations.

### ■ Ground-to-phase varistor compatibility

The drive is equipped with an internal ground-to-phase varistor as standard. However, for the UL (NEC) drive types, the ground-to-phase varistor is disconnected as default.

## Connect the power cables (and install the shrouds for option +B051)

See figure [G](#) on page [56](#).

Step	Task (motor cables)	Figure	Page
1	Install the grounding terminal to the drive module base.	<a href="#">J</a>	<a href="#">56</a>
2	Run the motor cables to the cabinet. Ground the cable shields 360 degrees at the cabinet entry.	<a href="#">K</a>	<a href="#">56</a>
3	Connect the twisted shields of the motor cables to the grounding terminal.	<a href="#">L</a>	<a href="#">56</a>
4	<p>Screw in and tighten the insulators to the drive module by hand. Install the T3/W2 connection terminal to the insulators.</p> <p> <b>WARNING!</b> Do not use longer screws or greater tightening torque than given in the installation drawing. Doing either can damage the insulator and cause dangerous voltage to be present at the module frame.</p>	<a href="#">M</a>	<a href="#">56</a>
5	Connect the phase T3/W2 conductors to the T3/W2 terminal.	<a href="#">N</a>	<a href="#">56</a>
6	Install the T2/V2 connection terminal to the insulators. See the warning in step 4.	-	-

Step	Task (motor cables)	Figure	Page
7	Connect the phase T2/V2 conductors to the T2/V2 connection terminal.	-	-
8	Install the T1/U2 connection terminal to the insulators. See the warning in step 4.	-	-
9	Connect the phase T1/U2 conductors to the T1/U2 terminal.	-	-
10	<u>Option +B051 (if there is no bottom plate in the cabinet and degree of protection of IP20 is needed):</u> <ul style="list-style-type: none"> <li>Carefully step drill sufficiently big holes to the inner clear plastic shrouds for the motor cables to be connected. Smooth the hole edges. Cut the shroud from the holes to the edge to make it possible to put the shroud around the cables.</li> <li>Remove the plastic sheeting from both sides of the shrouds.</li> </ul>	O	57
11	<u>Option +B051:</u> Put the inner clear plastic shrouds of figure O around the motor cables.	P	57
12	<u>Option +B051:</u> Remove the plastic sheeting from both sides of the output clear plastic shroud. Install the shroud to the drive module.	Q	57
13	<u>Option +B051:</u> Install the lower front cover to the drive module.	Q	57

Step	Task (input cables)	Figure	Page
1	Ground the input cable shields (if present) 360 degrees at the cabinet entry.	-	-
2	Connect the twisted shields of the input cables and separate ground cable (if present) to the cabinet grounding busbar.	-	-
3	<u>Option +B051:</u> <ul style="list-style-type: none"> <li>Carefully step drill sufficiently big holes to the cable entry clear plastic shroud for the cables to be connected.</li> <li>Align the holes in the vertical direction according to the alignment holes in the shroud. Smooth the hole edges.</li> <li>Remove the plastic sheeting from both sides of the shroud.</li> <li>Attach the cables firmly to the cabinet frame to prevent chafing against the hole edges.</li> </ul>	R	57
4	<u>Option +B051:</u> Put the conductors of the input cables through the drilled holes in the clear plastic shroud.	S	57
5	Connect the input power cable conductors to the L1/U1, L2/V1 and L3/W1 connection busbars.	T	57
6	<u>Option +B051:</u> Move the clear plastic shroud of the cable entry along the input cables to its final position. Install the front clear plastic shroud.	U	58
7	Install the upper front cover.	U	58
8	Remove the cardboard protective covering from the drive module air outlet.	U	58
9	<u>Option +B051:</u> Cut a hole in the side clear plastic shroud for the cable entry clear plastic shroud. Install the side and top shrouds to the drive module.	V	58

## Install the air baffles

See figure W on page 58 and *Generic cabinet planning instructions* in ACQ580-04 drive modules hardware manual (3AXD50000048677 [English]).

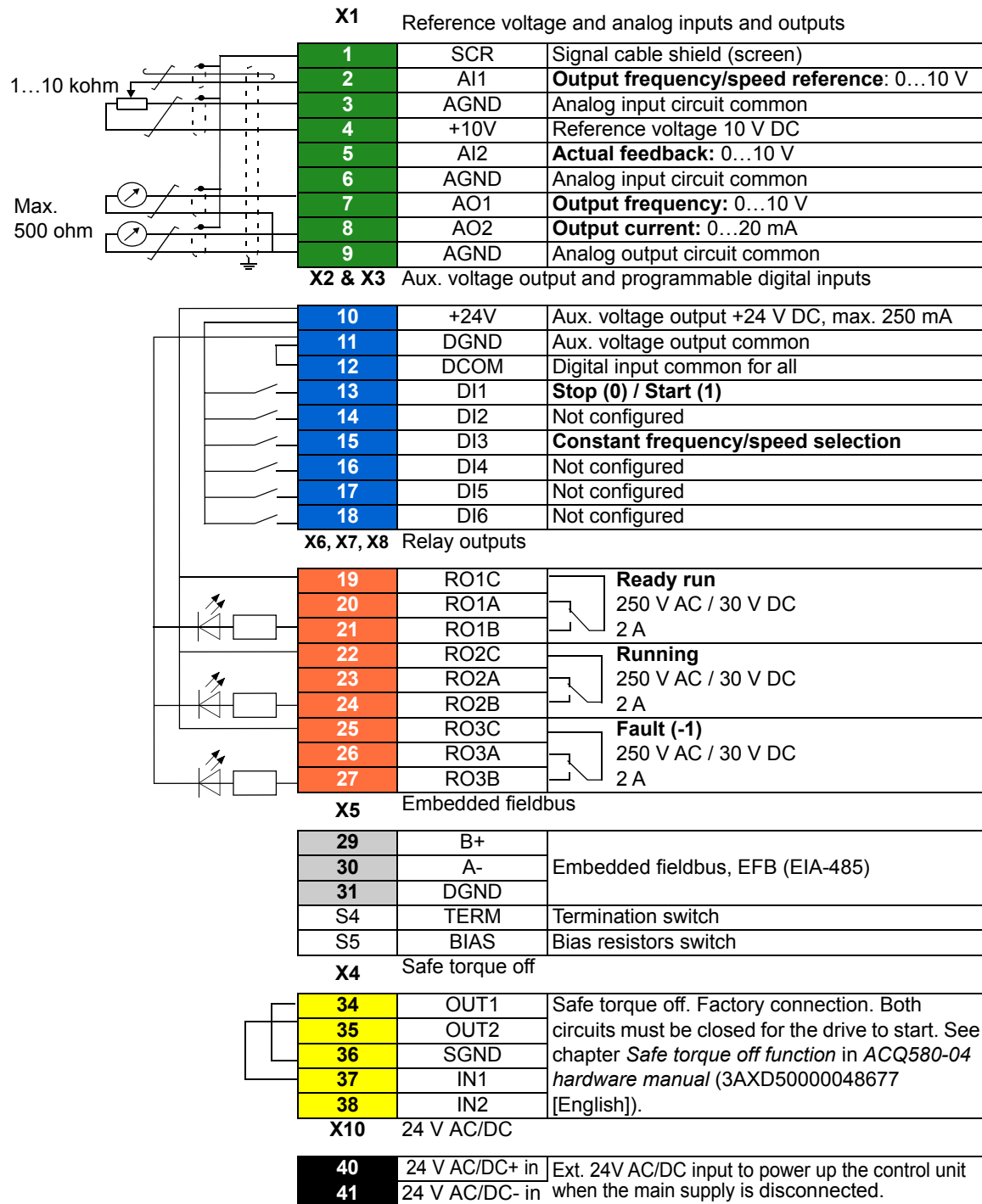
## Connect the control cables

See figure [X](#) on page [58](#).

1. Ground the outer shields of all external control cables 360 degrees at the cabinet entry.
2. Ground the pair-cable shields of external control cables to a grounding clamp below the control unit. Leave the other end of the shields unconnected or ground them indirectly via a high-frequency capacitor with a few nanofarads, eg, 3.3 nF / 630 V.
3. Connect the conductors to the appropriate terminals of the control unit. See page [14](#).
4. Wire the option modules if included in the delivery.

## Default I/O connections

The default control connections of the Water default configuration are shown below.



Total load capacity of the Auxiliary voltage output +24V (X2:10) is 6.0 W (250 mA / 24 V DC).

Digital inputs DI1...DI5 also support 10 to 24 V AC

Wire sizes: 0.14...2.5 mm<sup>2</sup> (26...16 AWG): All terminals

Tightening torques: 0.5...0.6 N·m (0.4 lbf·ft)

## UL and CSA checklist



**WARNING!** Operation of this drive requires detailed installation and operation instructions provided in the hardware and software manuals. The manuals are provided in electric format in the drive package or on the Internet. Keep the manuals with the drive at all times. Hard copies of the manuals can be ordered through the manufacturer.

- Make sure that the drive type designation label includes the applicable marking.
- **DANGER - Risk of electric shock.** After disconnecting the input power, always wait for 5 minutes to let the intermediate circuit capacitors discharge before you start working on the drive, motor or motor cable.
- The drive is to be used in a heated, indoor controlled environment. The drive must be installed in clean air according to the enclosure classification. Cooling air must be clean, free from corrosive materials and electrically conductive dust.
- The maximum surrounding air temperature is 40 °C at rated output current. The output current is derated for 40...55 °C.
- The drive is suitable for use in a circuit capable of delivering not more than 100000 rms symmetrical amperes, 480 V maximum when protected by the UL fuses given in table [Fuses \(UL\)](#) on page 53. The ampere rating is based on tests done according to the appropriate UL standard.
- The cables located within the motor circuit must be rated for at least 75 °C in UL-compliant installations.
- The input cable must be protected with fuses. The fuses must provide branch circuit protection in accordance with the national regulations (National Electrical Code (NEC) or Canadian Electrical code). Obey also any other applicable local or provincial codes.  
**Note:** Circuit breakers must not be used without fuses in UL installation. For suitable circuit breakers, see the hardware manual.



**WARNING!** The opening of the branch-circuit protective device may be an indication that a fault current has been interrupted. To reduce the risk of fire or electric shock, current-carrying parts and other components of the device should be examined and replaced if damaged.

- The drive provides motor overload protection. For adjustments, see the firmware manual.
- The drive overvoltage category according to IEC 60664-1 is III.

USA



# DE – Kurzanleitung für die Installation

---

## Inhalt dieser Anleitung

Dies ist eine Kurzanleitung zur Installation des Frequenzumrichtermoduls in einem 600 mm breiten Schaltschrank.

Weitere Informationen, Planungsrichtlinien, technische Daten und die vollständigen Sicherheitsvorschriften finden Sie im Hardware-Handbuch.

## Befolgen Sie die Sicherheitsvorschriften

Siehe Abbildung [A](#) auf Seite [55](#). Die Nichtbeachtung dieser Vorschriften kann zu Verletzungen und tödlichen Unfällen führen oder Schäden an den Geräten verursachen.



**WARNUNG!** Behandeln und bewegen Sie das Frequenzumrichtermodul vorsichtig. Klappen Sie die Stützwinkel auf, indem Sie sie etwas nach unten drücken und zur Seite drehen (1, 2).

Das Frequenzumrichtermodul darf nicht gekippt werden. Es ist **schwer** und hat einen **hoch liegenden Schwerpunkt**. Das Modul fällt ab einem Kippwinkel von 5 Grad zur Seite um. Lassen Sie das Modul auf einem Boden mit Gefälle nicht unbeaufsichtigt stehen.

Damit das Frequenzumrichtermodul nicht umfällt, sichern Sie es an den oberen Hebeösen mit Ketten am Schaltschrankgehäuse bevor Sie das Modul in den Schrank hineinschieben. Arbeiten Sie vorsichtig, am besten zusammen mit einem Helfer. Drücken Sie außerdem mit einem Fuß konstant gegen den Sockel des Moduls, um zu verhindern, dass es nach hinten umfällt.



**WARNUNG!** Installation und Wartung dürfen nur von qualifiziertem Fachpersonal durchgeführt werden. Gehen Sie in folgenden Schritten vor, bevor Sie mit den Installations- und Wartungsarbeiten beginnen.

1. Bestimmen Sie eindeutig den Arbeitsort und die Ausrüstung.
2. Trennen Sie den Frequenzumrichter von allen Spannungsquellen, die möglich sind.
  - Öffnen Sie den Netztrennschalter des Frequenzumrichterschrank.
  - Öffnen Sie den Trennschalter des Einspeisetransformators. Der Haupttrennschalter im Frequenzumrichterschrank schaltet die AC-Eingangsstromschienen im Schrank nicht spannungsfrei.
  - Stellen Sie sicher, dass ein erneutes Herstellen der Spannungsversorgung nicht möglich ist. Die Trenneinrichtungen in der Position geöffnet verriegeln und ein Warnschild daran anbringen. Befolgen Sie die korrekte Vorgehensweise beim Verriegeln und Markieren.
  - Alle externen Spannungsquellen von den Steuerstromkreisen trennen, bevor Sie an den Steuerkabeln arbeiten.

- Warten Sie nach dem Trennen des Frequenzumrichters von der Spannungsversorgung stets 5 Minuten, bis die Zwischenkreiskondensatoren entladen sind, bevor Sie die Arbeiten fortsetzen.
3. Sichern Sie alle anderen unter Spannung stehenden Teile am Arbeitsort gegen Berührung.
  4. Besondere Vorsichtsmaßnahmen sind in der Nähe von blanken Leitern erforderlich.
  5. Stellen Sie durch Messungen sicher, dass die gesamte Installation spannungsfrei ist.
    - Benutzen Sie dazu ein Multimeßgerät mit einer Impedanz von mindestens 1 MOhm.
    - Stellen Sie sicher, dass die Spannung zwischen den Einspeiseanschlüssen des Frequenzumrichtermoduls (L1/U1, L2/V1, L3/W1) und der Erdungsschiene (PE) annähernd 0 V beträgt.
    - Stellen Sie sicher, dass die Spannung zwischen den UDC+ und UDC- Klemmen des Frequenzumrichtermoduls und der Erdungsschiene (PE) annähernd 0 V beträgt.
  6. Installieren Sie für die Dauer der Arbeiten eine Erdung, die nach den örtlichen Vorschriften erforderlich ist.
  7. Fordern Sie die Arbeitsfreigabe von der Person an, die für die elektrische Installation verantwortlich ist.
- 

## Auswahl der Leistungskabel

Die Leistungskabel müssen nach den örtlichen Vorschriften für den auf dem Typenschild des Frequenzumrichters angegebenen Nennstrom ausreichend bemessen sein.

## Ausreichende Kühlung sicherstellen

Verluste und Kühlluftstrom durch den Frequenzumrichter siehe Tabelle auf Seite 54. Der zulässige Betriebstemperaturbereich für den Frequenzumrichter ohne Leistungsminde- rung beträgt -15 bis +40 °C. Weitere Informationen hierzu finden Sie im Hardware-Hand- buch.

## Schutz des Frequenzumrichters und der Einspeisekabel

aR-Sicherungen zum Kurzschlussschutz im Eingangskabel oder dem Frequenzumrichter siehe [Fuses \(IEC\)](#) auf Seite 53.

## Den Frequenzumrichter in einen Schaltschrank einbauen

Siehe Abbildung [B](#) auf Seite 55:

- Montieren Sie das vorgestanzte Blechprofil an der Rückseite des Schrankgehäuses.
- Montieren Sie die Tragschienen und das Sockel-Führungsblech am Bodenrahmen des Schanks.
- Die Teleskoprampe am Sockelführungsblech befestigen.

Option +B051: Siehe Abbildung [C](#) auf Seite 55:

- Entfernen Sie die Schutzfolie der durchsichtigen Kunststoffabdeckungen auf beiden Seiten.
-

Siehe Abbildung [D](#) auf Seite [55](#):

- Montieren Sie die Halterung am Frequenzumrichtermodul.
- Option +B051:
  - Installieren Sie das Gitter an der Unterseite des Frequenzumrichtermoduls, wenn der Schaltschrank kein Bodenblech hat und für das Frequenzumrichtermodul von der Unterseite die Schutzart IP20 erfordert.
  - Installieren Sie die obere Metallabdeckung am Frequenzumrichtermodul.
  - Installieren Sie die hinteren Abdeckungen am Frequenzumrichtermodul.

Siehe Abbildung [E](#) auf Seite [55](#):

- Um zu verhindern, dass das Frequenzumrichtermodul umfällt, Ketten an den Hebeösen anbringen und am Schaltschrankrahmen sichern.
- Das Frequenzumrichtermodul über die Teleskoprampe in den Schaltschrank schieben.
- Demontieren Sie die Rampe.

Siehe Abbildung [F](#) auf Seite [55](#):

- Befestigen Sie das Frequenzumrichtermodul am Sockel-Führungsblech.
- Das Frequenzumrichtermodul von oben in die Aussparung auf der Schrankrückseite einhängen. **Hinweis:** Mit den Halterungen wird das Frequenzumrichtermodul über den Schrankrahmen geerdet.

DE

## Die Isolierung der Eingangs- und Motorkabel sowie des Motors messen

Messen Sie vor dem Anschließen des Netzkabels an den Frequenzumrichter die Isolation entsprechend den vor Ort geltenden Vorschriften.

Siehe Abbildung [H](#) auf Seite [56](#). Die Motorkabelschirme motorseitig an Erde/PE anschließen. Um eine geringe Interferenz sicherzustellen, nehmen Sie eine 360-Grad-Erdung am Kabeleingang vor oder halten Sie den verdrehten Schirm kurz.

Messen Sie die Isolation des Motors und des Motorkabels, wenn das Motorkabel vom Frequenzumrichter abgeklemmt ist, siehe Abbildung [I](#) auf Seite [56](#). Messen Sie den Isolationswiderstand zwischen den einzelnen Phasenleitern und der Schutzerde (PE). Verwenden Sie eine Messspannung von 1000 V DC. Der Isolationswiderstand eines ABB Motors muss mehr als 100 MOhm betragen (Referenzwert bei 25 °C). Die Isolationswiderstände anderer Motoren entnehmen Sie bitte der Anleitung des Herstellers. **Hinweis:** Feuchtigkeit im Motorgehäuse reduziert den Isolationswiderstand. Bei Verdacht auf Feuchtigkeit trocknen Sie den Motor und wiederholen Sie die Messung.

## Die Kompatibilität des Erdungssystems prüfen

### ■ Kompatibilität des EMV-Filters

Der Frequenzumrichter ist standardmäßig mit einem internen EMV (+E210) ausgestattet. Der Frequenzumrichter mit angeschlossenem EMV-Filter kann an ein symmetrisch geerdetes TN-S-Netz, ein unsymmetrisch geerdetes IT-Netz, ein mittelpunktgeerdetes sowie ein TT-Netz angeschlossen werden.

## ■ Kompatibilität des Erde-Phase-Varistors



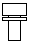

Der Frequenzumrichter ist serienmäßig mit einem Erde-Phase-Varistor ausgestattet. Der Frequenzumrichter kann mit angeschlossenem Erde-Phase-Varistor an ein symmetrisch geerdetes TN-S-Netz, ein asymmetrisch geerdetes sowie mittelpunktgeerdetes Netz angeschlossen werden. Wenn der Frequenzumrichter an ein IT- oder ein TT-Netz angeschlossen wird, muss der Varistor abgeklemmt werden. Siehe Abschnitt *Ground-to-phase varistor disconnecting instructions – IEC, not North America* im Hardware-Handbuch.



**WARNUNG!** Der Frequenzumrichter mit angeschlossenem Erde-Phase-Varistor darf nicht an ein Netz angeschlossen werden, für das der Varistor nicht geeignet ist. Falls dies doch geschieht, kann die Varistorschaltung beschädigt werden.

## Anschluss der Leistungskabel (und Montage der Abdeckungen für Option +B051)

Siehe Abbildung G auf Seite 56.

Schritt	Aufgabe (Motorkabel)	Bild	Seite
1	Die Erdungsanschlüsse unten am Frequenzumrichtermodul installieren.	J	56
2	Die Motorkabel in den Schrank führen. Die Kabelschirme am Schrankeingang 360° erden.	K	56
3	Die verdrehten Schirme der Motorkabel an den Erdungsanschluss anschließen.	L	56
4	Die Isolatoren mit der Hand an das Frequenzumrichtermodul schrauben und festziehen. Auf den Isolatoren die Anschlussklemmen T3/W2 installieren.      <b>WARNUNG!</b> Es dürfen keine längeren Schrauben oder höheren Anzugsmomente, als die in der Montagezeichnung angegebenen, verwendet werden. Andernfalls kann der Isolator beschädigt werden, und am Modulgehäuse kann eine gefährliche Spannung anlegen.	M	56
5	Die Phasenleiter T3/W2 an Klemme T3/W2 anschließen.	N	56
6	Auf den Isolatoren die Anschlussklemmen T2/V2 installieren. Beachten Sie die Warnung in Schritt 4.	-	-
7	Die Phasenleiter T2/V2 an Klemme T2/V2 anschließen.	-	-
8	Auf den Isolatoren die Anschlussklemmen T1/U2 installieren. Beachten Sie die Warnung in Schritt 4.	-	-
9	Die Phasenleiter T1/U2 an Klemme T1/U2 anschließen.	-	-
10	<u>Option +B051 (falls es im Schrank keine Bodenplatte gibt und Schutzart IP20 verwendet wird):</u> <ul style="list-style-type: none"> <li>Bohren Sie für den Anschluss der Motorkabel vorsichtig ausreichend große Öffnungen in die inneren Klarsichtabdeckungen. Entgraten Sie die Bohrlöcher. Schneiden Sie die Abdeckung von den Bohrlöchern zum Rand hin auf, damit die Abdeckung über die Kabel gesetzt werden kann.</li> <li>Entfernen Sie die Schutzfolie auf beiden Seiten der Abdeckungen.</li> </ul>	O	57
11	<u>Option +B051:</u> Installieren Sie die inneren durchsichtigen Kunststoffabdeckungen gemäß Abbildung O über den Motorkabeln.	P	57
12	<u>Option +B051:</u> Entfernen Sie die Schutzfolie von beiden Seiten der Klarsichtabdeckung. Installieren Sie die Abdeckung am Frequenzumrichtermodul.	Q	57
13	<u>Option +B051:</u> Installieren Sie die untere Frontabdeckung des Frequenzumrichtermoduls.	Q	57

Schritt	Aufgabe (Einspeisekabel)	Bild	Seite
1	Die Eingangskabelschirme (falls vorhanden) am Schrankeingang mit einer 360°-Erdung versehen.	-	-
2	Die verdrehten Schirme der Einspeisekabel und separate Erdungskabel (falls vorhanden) an die Schrank-Erdungsschiene anschließen.	-	-
3	<u>Option +B051:</u> <ul style="list-style-type: none"> <li>• Bohren Sie für den Anschluss der Kabel vorsichtig ausreichend große Öffnungen in die Klarsichtabdeckung am Kabeleingang.</li> <li>• Die Bohrlöcher müssen genau senkrecht entsprechend den Führungsbohrungen in der Abdeckung ausgerichtet werden. Entgraten Sie die Bohrlöcher.</li> <li>• Entfernen Sie die Schutzfolien der Abdeckung auf beiden Seiten.</li> <li>• Die Kabel ausreichend fest am Schrankrahmen abfangen, dass Sie nicht an den Bohrlöchern scheuern.</li> </ul>	R	57
4	<u>Option +B051:</u> Stecken Sie die Leiter des Einspeisekabels durch die gebohrten Löcher in der Abdeckung.	S	57
5	Die Leiter des Einspeisekabels an die Stromschienenanschlüsse L1/U1, L2/V1 und L3/W1 anschließen.	T	57
6	<u>Option +B051:</u> Schieben Sie die Klarsichtabdeckung über die Eingangskabel in ihre endgültige Position. Installieren Sie die durchsichtige Kunststoff-Durchführungsabdeckung.	U	58
7	Installieren Sie die obere Frontabdeckung des Frequenzumrichtermoduls.	U	58
8	Entfernen Sie die Schutzabdeckung aus Karton vom Luftauslass des Frequenzumrichtermoduls.	U	58
9	<u>Option +B051:</u> Schneiden Sie in die seitliche Klarsichtabdeckung eine Öffnung für die Klarsichtabdeckung über dem Kabeleingang. Montieren Sie die seitlichen und die obere Abdeckung(en) am Frequenzumrichtermodul.	V	58

DE

## Installation der Luftleitbleche

Siehe Abbildung [W](#) auf Seite [58](#) und *Generic cabinet planning instructions* im Hardware-Handbuch.

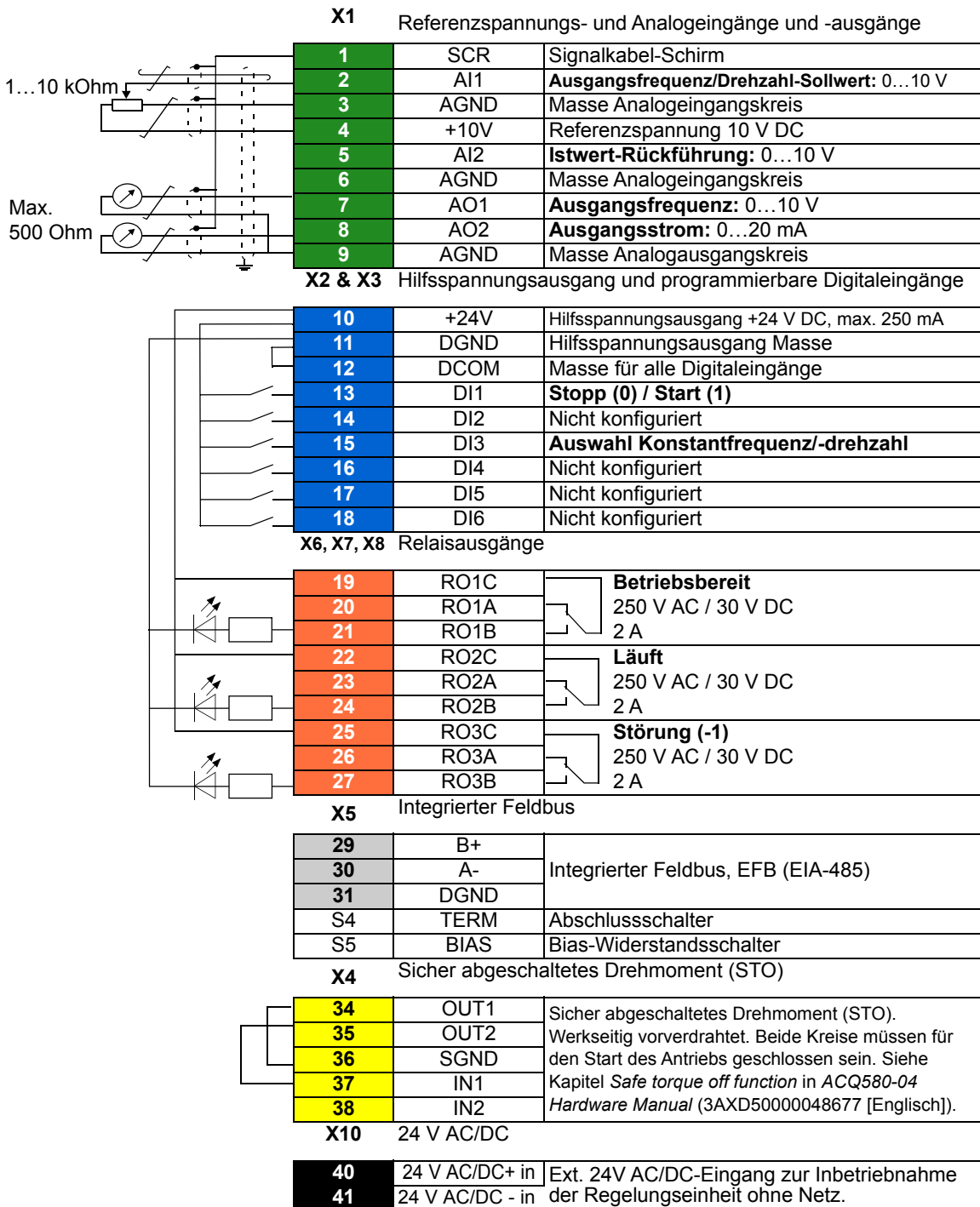
## Anschließen der Steuerkabel

Siehe Abbildung [X](#) auf Seite [58](#).

1. Nehmen Sie an den äußeren Kabelschirmen aller externen Steuerkabel eine 360-Grad-Erdung am Schrankeingang vor.
2. Die Schirme von Leiterpaaren externer Steuerkabel an eine Erdungsklemme unter der Regelungseinheit anschließen. Das andere Ende der Schirme nicht anschließen oder indirekt über einen Hochfrequenz-Kondensator mit wenigen Nanofarad (z.B. 3,3 nF / 630 V) erden.
3. Die Kabel an die entsprechenden Klemmen der Regelungseinheit anschließen. Siehe Seite [22](#).
4. Verdrahten Sie die eventuell mitgelieferten Optionsmodule.

## Standard E/A-Anschlüsse

Die Standard-E/A-Anschlüsse der Standardkonfiguration für Wasserapplikationen sind nachfolgend dargestellt.



Die Gesamtbelastbarkeit des Hilfsspannungsausgangs +24V (X2:10) beträgt 6,0 W (250 mA / 24 V DC).

Die Digitaleingänge DI1...DI5 unterstützen auch 10 bis 24 V AC

Leitergrößen: 0,14...2,5 mm<sup>2</sup> (26...16 AWG): Alle Klemmen

Anzugsmomente: 0,5...0,6 Nm (0,4 lbf-ft)

# ES – Guía rápida de instalación

---

## Contenido de esta guía

Esta guía contiene instrucciones resumidas para instalar el módulo de convertidor en una envolvente de 600 mm de ancho.

Para obtener instrucciones más detalladas, directrices de ingeniería, datos técnicos y unas instrucciones de seguridad completas, véase el Manual de hardware.

## Siga estrictamente las instrucciones de seguridad

Véase la figura [A](#) de la página [55](#). Si no se tienen en cuenta las instrucciones, podrían producirse daños en el equipo, lesiones e incluso la muerte.



**ADVERTENCIA:** Manipule el módulo de convertidor con cuidado. Despliegue las patas de apoyo presionándolas ligeramente hacia abajo y girándolas hacia el lado correspondiente (1 y 2).

ES

No incline el módulo de convertidor. El convertidor es **pesado** y su **centro de gravedad elevado**. El módulo volcará si su inclinación supera los 5 grados. No deje el módulo desatendido en un suelo inclinado.

Para evitar la caída del módulo de convertidor, asegure los cáncamos de elevación superiores con cadenas al bastidor del armario antes de introducir el módulo en el armario. Trabaje con cuidado, preferiblemente con la ayuda de otra persona. Mantenga un pie apoyado en la base del módulo para evitar que caiga sobre su parte posterior.



**ADVERTENCIA:** Si usted no es electricista cualificado, no realice trabajos de instalación o mantenimiento. Siga los siguientes pasos antes de iniciar cualquier trabajo de instalación o mantenimiento.

1. Identifique claramente el lugar de trabajo y los equipos.
2. Desconecte todas las fuentes de tensión posibles.
  - Abra el seccionador principal de la envolvente del convertidor.
  - Abra el seccionador del transformador de alimentación. El dispositivo de desconexión principal de la envolvente del convertidor no desconecta la tensión de los embarrados de potencia de entrada de CA de la envolvente del convertidor.
  - Asegúrese de que la reconexión no es posible. Bloquee los seccionadores en posición abierta y colóqueles una etiqueta de advertencia. Siga los procedimientos correctos de bloqueo y etiquetado.
  - Desconecte todas las fuentes de alimentación externas de los circuitos de control antes de tocar los cables de control.
  - Tras la desconexión del convertidor y antes de continuar, espere siempre 5 minutos para que los condensadores del circuito intermedio se descarguen.
3. Proteja contra posibles contactos todos los demás componentes energizados del lugar de trabajo.
4. Tome precauciones especiales cuando esté cerca de conductores descubiertos.



5. Compruebe que la instalación está desenergizada.
    - Utilice un multímetro con una impedancia de al menos 1 Mohmio.
    - Asegúrese de que la tensión entre los terminales de potencia de entrada del módulo de convertidor (L1/U1, L2/V1, L3/W1) y el embarrado de conexión a tierra (PE) sea aproximadamente 0 V.
    - Asegúrese de que la tensión entre los terminales UDC+ y UDC- del módulo de convertidor y el embarrado de conexión a tierra (PE) se encuentre en torno a 0 V.
  6. Instale una conexión a tierra temporal de conformidad con la normativa local.
  7. Pida el permiso de trabajo a la persona encargada de los trabajos de la instalación eléctrica.
- 

## Seleccione los cables de potencia

Dimensione los cables de potencia de conformidad con los reglamentos locales para el transporte de la intensidad nominal indicada en la etiqueta de designación de tipo de su convertidor de frecuencia.

ES

## Garantice la refrigeración

Véase la tabla de la página [54](#) para conocer las pérdidas y el caudal de aire de refrigeración a través del convertidor de frecuencia. El rango de temperatura de funcionamiento permitido para el convertidor de frecuencia sin derrateo es de -15 a +40 °C. Para obtener más información, véase el Manual de hardware.

## Proteja el convertidor y los cables de potencia de entrada

Véase [Fuses \(IEC\)](#) en la página [53](#) para conocer los detalles sobre los fusibles aR para protección contra cortocircuitos del cable de potencia de entrada o del convertidor

## Instale el módulo de convertidor en un armario

Véase la figura [B](#) en la página [55](#):

- Instale la sección perforada en la parte posterior del bastidor del armario.
- Instale los carriles de apoyo y la placa guía de pedestal en el bastidor inferior del armario.
- Instale la rampa telescópica de inserción/extracción en la placa guía de pedestal.

Opcional +B051: Véase la figura [C](#) en la página [55](#):

- Retire de ambos lados la lámina de las cubiertas de plástico transparente.

Véase la figura [D](#) en la página [55](#):

- Instale el soporte de fijación en el módulo de convertidor.
  - Opcional +B051:
    - Instale la rejilla inferior en el módulo de convertidor si el armario no dispone de placa inferior y el módulo de convertidor requiere un grado de protección IP20 por la parte inferior.
    - Instale la cubierta metálica superior en el módulo de convertidor.
    - Instale las cubiertas protectoras posteriores en el módulo de convertidor.
-



Véase la figura [E](#) en la página [55](#):

- Para evitar la caída del módulo de convertidor, asegure los cáncamos de elevación con cadenas al bastidor del armario.
- Introduzca en el armario el módulo de convertidor empujándolo por la rampa de inserción/extracción.
- Retire la rampa.

Véase la figura [F](#) en la página [55](#):

- Fije el módulo de convertidor a la placa guía de pedestal.
- Fije el módulo de convertidor desde su parte superior a la sección perforada de la parte posterior del armario. **Nota:** El soporte de fijación conecta el módulo de convertidor a la tierra del bastidor del armario.

## Mida el aislamiento de los cables de entrada y motor y del propio motor

Antes de conectar al convertidor el cable de potencia de entrada, mida el aislamiento de dicho cable conforme a las normas locales.

Véase la figura [H](#) en la página [56](#). Conecte a tierra la pantalla del cable de motor en el extremo del motor. Para unas mínimas interferencias, realice una conexión a tierra a 360 grados en la entrada de cables o mantenga el mallado corto.

Mida el aislamiento del motor y del cable de motor mientras el cable de motor esté desconectado del convertidor, véase la figura [I](#) en la página [56](#). Mida la resistencia de aislamiento entre cada conductor de fase y el conductor de protección a tierra. Use una tensión de prueba de 1000 V CC. La resistencia de aislamiento de un motor ABB debe ser superior a los 100 Mohmios (valor de referencia a 25 °C). Para la resistencia de aislamiento de otros motores, consulte la documentación del fabricante. **Nota:** La humedad en el interior de la carcasa del motor reduce la resistencia de aislamiento. Si sospecha de la presencia de humedad, seque el motor y repita la medición.

## Compruebe la compatibilidad del sistema de puesta a tierra

### ■ Compatibilidad del filtro EMC

El convertidor tiene un filtro EMC interno (+E210) de serie. Puede instalar el convertidor con el filtro EMC conectado a una red TN-S conectada a tierra simétricamente, a una red IT, a una red con conexión a tierra en un vértice, a una red en triángulo conectada a tierra en el punto medio y a una red TT.

### ■ Compatibilidad de varistores tierra-fase

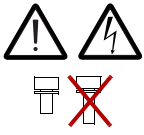
El convertidor está equipado de serie con un varistor tierra-fase interno. Puede instalar el convertidor con el varistor tierra-fase conectado a una red TN-S conectada a tierra simétricamente, a una red con conexión a tierra en un vértice y a una red en triángulo conectada a tierra en el punto medio. Si instala el convertidor en un sistema IT o TT, deberá desconectar el varistor. Véase el apartado *Instrucciones de desconexión del varistor tierra-fase – IEC, fuera de Norteamérica* en el Manual de hardware.



**ADVERTENCIA:** No instale el convertidor de frecuencia con un varistor tierra-fase conectado en un sistema para el cual no sea adecuado el varistor. Si lo hace, el circuito del varistor podría resultar dañado.

## Conecte los cables de potencia (e instale las cubiertas protectoras para la opción +B051)

Véase la figura G de la página 56.

Paso	Tarea (cables de motor)	Figura	Página
1	Instale el terminal de conexión a tierra en la base del módulo de convertidor.	J	56
2	Tienda los cables de motor hasta el armario. Conecte a tierra los apantallamientos del cable a 360 grados de la entrada del armario.	K	56
3	Conecte las pantallas trenzadas del cable de motor al terminal de conexión a tierra.	L	56
4	Atornille y apriete a mano los aisladores en el módulo de convertidor. Instale el terminal de conexión T3/W2 en los aisladores.  <b>ADVERTENCIA:</b> No utilice tornillos más largos ni pares de apriete mayores que los especificados en el plano de instalación. Si no se siguen esas instrucciones se podría dañar el aislante y ocasionar una tensión peligrosa en el bastidor del módulo.	M	56
5	Conecte los conductores de fase T3/W2 al terminal T3/W2.	N	56
6	Instale el terminal de conexión T2/V2 en los aisladores. Véase la advertencia del paso 4.	-	-
7	Conecte los conductores de fase T2/V2 al terminal de conexión T2/V2.	-	-
8	Instale el terminal de conexión T1/U2 en los aisladores. Véase la advertencia del paso 4.	-	-
9	Conecte los conductores de fase T1/U2 al terminal T1/U2.	-	-
10	<u>Opcional +B051 (si el armario no dispone de placa inferior y requiere un grado de protección IP20):</u> <ul style="list-style-type: none"> <li>• Con mucho cuidado y usando una broca escalonada, taladre en las carcasas interiores de plástico transparente orificios con el diámetro suficiente para los cables de motor que va a conectar. Suavice las aristas de los orificios. Haga un corte desde cada orificio hasta el borde de la cubierta protectora para poder alojar los cables en los orificios.</li> <li>• Retire la lámina de plástico de ambos lados de las cubiertas protectoras.</li> </ul>	O	57
11	<u>Opcional +B051:</u> Coloque las cubiertas interiores de plástico transparente de la figura O alrededor de los cables de motor.	P	57
12	<u>Opcional +B051:</u> Retire la lámina de plástico de ambos lados de la cubierta de plástico transparente de la salida. Instale la cubierta protectora en el módulo de convertidor.	Q	57
13	<u>Opcional +B051:</u> Instale la cubierta frontal inferior en el módulo de convertidor.	Q	57

Paso	Tarea (cables de entrada)	Figura	Página
1	Conecte a tierra los apantallamientos de cable de entrada (si los hubiese) a 360 grados en el armario.	-	-
2	Conecte las pantallas trenzadas de los cables de entrada y del cable de conexión a tierra independiente (si lo hubiera) al embarrado de conexión a tierra del armario.	-	-
3	<u>Opcional +B051:</u> <ul style="list-style-type: none"> <li>• Con mucho cuidado y usando una broca escalonada, en la cubierta de plástico transparente de entrada de cables, taladre orificios con el diámetro suficiente para los cables de motor que va a conectar.</li> <li>• Alinee los orificios en dirección vertical de acuerdo con los orificios de alineación de la cubierta protectora. Suavice las aristas de los orificios.</li> <li>• Retire la lámina de plástico de ambos lados de la cubierta protectora.</li> <li>• Sujete firmemente los cables al bastidor del armario para impedir la fricción contra los bordes de los orificios.</li> </ul>	R	57

Paso	Tarea (cables de entrada)	Figura	Página
4	<u>Opcional +B051</u> : Inserte los conductores de los cables de entrada a través de los orificios perforados en la cubierta de plástico transparente.	S	57
5	Conecte los conductores del cable de potencia de entrada a los embarrados de conexión L1/U1, L2/V1 y L3/W1.	T	57
6	<u>Opcional +B051</u> : Mueva la cubierta de plástico transparente a lo largo de los cables de entrada hasta su posición final. Instale la cubierta de plástico transparente frontal.	U	58
7	Instale la cubierta frontal superior.	U	58
8	Retire la cubierta protectora de cartón de la salida de aire del módulo de convertidor.	U	58
9	<u>Opcional +B051</u> : Haga un orificio en la cubierta de plástico transparente lateral para la cubierta de plástico transparente de entrada de cables. Instale las cubiertas lateral y superior en el módulo de convertidor.	V	58

## Instale los deflectores de aire

Véase la figura [W](#) en la página [58](#) y el apartado *Instrucciones de planificación de armario genérico* en el Manual de hardware.

ES

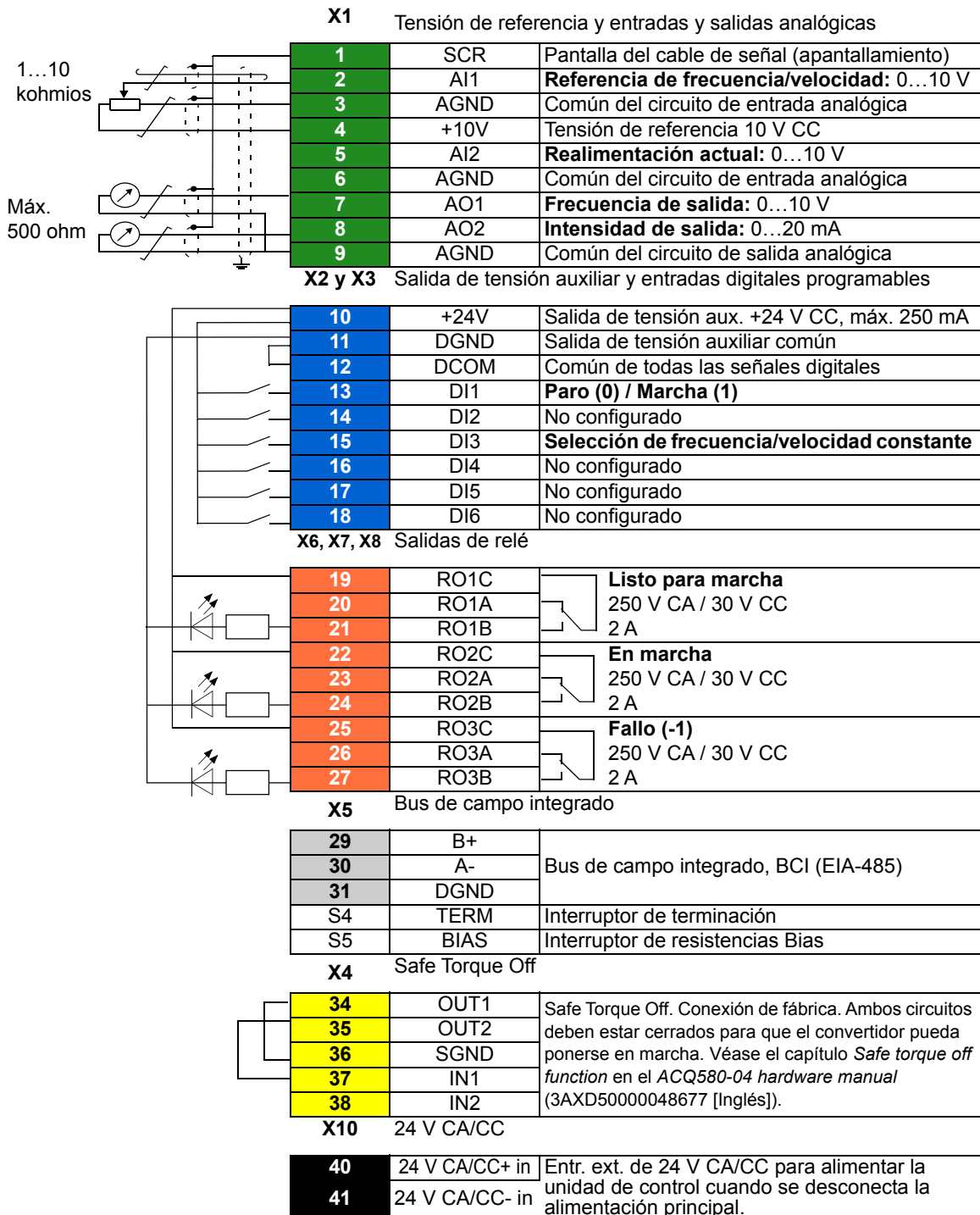
## Conecte los cables de control

Véase la figura [X](#) de la página [58](#).

1. Conecte a tierra las pantallas externas de todos los cables de control externos a 360 grados en la entrada del armario.
2. Conecte a tierra las pantallas del par de cables de control externos a través de una abrazadera de conexión a tierra debajo de la unidad de control. Deje el otro extremo de las pantallas sin conectar o conéctelas a tierra de forma indirecta a través de un condensador de alta frecuencia de unos pocos nanofaradios, por ejemplo, 3,3 nF / 630 V.
3. Conecte los conductores a los terminales apropiados de la unidad de control. Véase la página [28](#).
4. Cablee los módulos opcionales si están incluidos en el suministro.

## ■ Conexiones de E/S por defecto

A continuación se muestran las conexiones de E/S predeterminadas de la configuración por defecto para Aguas.



La capacidad de carga total de la salida de tensión auxiliar +24 V (X2:10) es de 6,0 W (250 mA/24 V CC).

Las entradas digitales DI1...DI5 también admiten de 10 a 24 V CA

Tamaños de cables: 0,14...2,5 mm<sup>2</sup> (26...16 AWG): Todos los terminales

Pares de apriete: 0,5...0,6 N·m (0,4 lbf·ft)

# FI – Asennuksen pikaopas

## Sisällys

Tässä oppaassa kuvataan lyhyesti taajuusmuuttajamoduulin asentaminen 600 mm leveään laiteilaan.

Yksityiskohtaisemmat ohjeet, suunnitteluohjeet, tekniset tiedot ja täydelliset turvaohjeet löytyvät laiteoppaasta.

## Noudata turvaohjeita

Katso kuva [A](#) sivulla [55](#). Ohjeiden huomiotta jättämisestä voi seurata loukkaantuminen, kuolema tai laitteiston vahingoittuminen.



**VAROITUS!** Käsittele taajuusmuuttajamoduulia huolellisesti. Avaa tukijalat painamalla jokaista jalkaa hieman alaspäin ja kääntämällä se sivulle (1, 2).

Älä kallista taajuusmuuttajamoduulia. Taajuusmuuttaja on **raskas**, ja sen **painopiste on korkealla**. Viiden asteen sivuttainen kallistus aiheuttaa moduulin kaatumisen. Älä jätä moduulia itseksensä kaltevalle alustalle.

Estä taajuusmuuttajamoduulin kaatuminen kiinnittämällä sen yläosan nostorenkaat ketjuilla kaapin runkoon, ennen kuin työnät moduulin kaappiin. Noudata työssä huolellisuutta. On suositeltavaa käyttää toista henkilöä apuna. Paina moduulin jalustaa jatkuvasti toisella jalalla, jotta moduuli ei pääse kaatumaan selälleen.



**VAROITUS!** Asennus- ja huoltotöitä saa tehdä vain pätevä sähköalan ammattilainen. Käy läpi nämä vaiheet ennen asennus- tai huoltotyön aloittamista.

1. Merkitse työkohde ja työvälineet selkeästi.
2. Irrota kaikki mahdolliset jännitelähteet.
  - Avaa taajuusmuuttajan kotelon pääkontaktori.
  - Avaa syöttömuuntajan erotin. Taajuusmuuttajan kotelon pääkuormanerotin ei katkaise jännitettä taajuusmuuttajan kotelon AC-syöttökiskoista.
  - Varmista, että uudelleenkytketyminen ei ole mahdollinen. Lukitse erotinkytkimet auki-asentoon ja liitä niihin varoitusmerkintä. Noudata asianmukaisia lukitus- ja turvamerkintämenettelyjä.
  - Irrota ohjauspiirien mahdolliset ulkoiset virtalähteet ennen ohjauskaapelien koskettamista.
  - Kun olet irrottanut taajuusmuuttajan virtalähteestä, odota aina 5 minuuttia, jotta tasajännitevälipiirin kondensaattorien varaus ehtii purkautua ennen jatkamista.
3. Suojaa mahdolliset muut työkohteen jännitteiset osat kosketukselta.
4. Ole erityisen varovainen paljaiden johtimien lähellä.

5. Varmista mittaamalla, että järjestelmä on jännitteetön.
    - Käytä yleismittaria, jonka impedanssi on vähintään 1 Mohm.
    - Varmista, että taajuusmuuttajamoduulin syöttöliitännöiden (L1/U1, L2/V1, L3/W1) ja maadoituskiskon (PE) välinen jännite on lähes 0 V.
    - Varmista, että taajuusmuuttajamoduulin UDC+- ja UDC--liittimien ja maadoituskiskon (PE) välinen jännite on lähes 0 V.
  6. Asenna paikallisten määräysten mukainen väliaikainen maadoitus.
  7. Pyydä sähköasennustyöhön lupa sähköasennuksista vastaavalta henkilöltä.
- 

## Valitse tehokaapelit

Mitoita tehokaapelit taajuusmuuttajan tyyppikilvessä ilmoitetun nimellisvirran mukaan. Noudata paikallisia määräyksiä.

## Varmista jäähdytys

Katso tiedot lämpöhäviöistä ja taajuusmuuttajan läpi virtaavasta jäähdytysilmasta sivulla [54](#) olevasta taulukosta. Taajuusmuuttajan sallittu käyttölämpötila-alue ilman kertoimia on -15...+40 °C. Lisätietoja on laiteoppaassa.

FI

## Suojaa taajuusmuuttaja ja syöttökaapelit

Syöttökaapelin ja taajuusmuuttajan oikosulkusuojaukseen soveltuvat aR-sulakkeet on lueteltu kohdassa [Fuses \(IEC\)](#) sivulla [53](#).

## Taajuusmuuttajan asentaminen laitekaappiin

Katso kuva [B](#) sivulla [55](#):

- Asenna rei'itetty levy kaapin rungon takaosaan.
- Asenna tukikiskot ja jalustan ohjauslevy kaapin rungon alaosaan.
- Asenna teleskooppiramppi jalustan ohjauslevyyn.

Lisävaruste +B051: Katso kuva [C](#) sivulla [55](#):

- Poista suojamuovi läpinäkyvien muovisuojusten molemmilta puolilta.

Katso kuva [D](#) sivulla [55](#):

- Asenna kiinnike taajuusmuuttajamoduuliin.
- Lisävaruste +B051:
  - Asenna taajuusmuuttajaan pohjaritilä, jos kaapissa ei ole pohjalevyä ja taajuusmuuttajan kotelointiluokan on oltava IP20 alasuunnasta.
  - Asenna taajuusmuuttajamoduuliin metallinen yläsuojaus.
  - Asenna taajuusmuuttajamoduuliin takasuojukset.

Katso kuva [E](#) sivulla [55](#):

- Estä taajuusmuuttajamoduulin kaatuminen kiinnittämällä nostorenkaat ketjuilla kaapin runkoon.
  - Työnnä taajuusmuuttajamoduuli kaappiin teleskooppiramppia pitkin.
  - Irrota ramppi.
-

Katso kuva [F](#) sivulla [55](#):

- Kiinnitä taajuusmuuttajamoduuli jalustan ohjauslevyyn.
- Kiinnitä taajuusmuuttajamoduuli yläosastaan kaapin takaosassa olevaan rei'itettyyn levyyn. **Huomautus:** Kiinnike maadoittaa moduulin kaapin runkoon.

## Mittaa syöttö- ja moottorikaapelien sekä moottorin eristys.

Mittaa taajuusmuuttajan syöttökaapelin eristysvastus paikallisten määräysten mukaisesti ennen kaapelin kytkemistä.

Katso kuva [H](#) sivulla [56](#). Maadoita moottorikaapelin suojavaippa moottorin päästä. Jotta häiriöt voitaisiin minimoida, tee kaapelin läpiviennissä 360 asteen maadoitus tai pidä kierretty johdin lyhyenä.

Mittaa moottorin ja moottorikaapelin eristys, kun kaapeli on irti taajuusmuuttajasta. Katso kuva [I](#) sivulla [56](#). Mittaa kunkin vaihejohtimen ja suojamaajohtimen välinen eristysvastus. Käytä 1 000 V DC:n mittausjännitettä. ABB:n moottoreiden eristysvastuksen tulee olla yli 100 megaohmia (ohjearvo lämpötilassa 25 °C). Lisätietoja muiden moottorien eristysvastuksista on valmistajan toimittamissa ohjeissa. **Huomautus:** Moottorin kotelon sisällä oleva kosteus pienentää eristysvastusta. Jos epäilet, että kotelon sisällä on kosteutta, kuivata moottori ja toista toimenpide.

## Tarkista maadoitusjärjestelmän yhteensopivuus

### ■ EMC-suotimen yhteensopivuus

Taajuusmuuttajassa on vakiovarusteena sisäinen EMC-suodin (+E210). EMC-suotimella varustettu taajuusmuuttaja voidaan asentaa symmetrisesti maadoitettuihin TN-S-verkkoihin, IT-verkkoihin, epäsymmetrisesti tai keskipisteestä maadoitettuihin kolmioverkkoihin tai TT-verkkoihin.

### ■ Maajohtimen ja vaihejohtimen välisen varistorin yhteensopivuus

Taajuusmuuttajassa on vakiovarusteena sisäinen maajohtimen ja vaihejohtimen välinen varistori. Maajohtimen ja vaihejohtimen välisellä varistorilla varustettu taajuusmuuttaja voidaan asentaa symmetrisesti maadoitettuihin TN-S-verkkoihin tai epäsymmetrisesti tai keskipisteestä maadoitettuihin kolmioverkkoihin. Jos taajuusmuuttaja asennetaan IT-verkkoon tai TT-verkkoon, varistori on kytkettävä irti. Katso laiteoppaan kohta *Ground-to-phase varistor disconnecting instructions – IEC, not North America*.

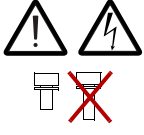


**VAROITUS!** Älä asenna taajuusmuuttajaa, johon on liitetty maajohtimen ja vaihejohtimen välinen varistori, verkkoon, johon varistori ei sovellu. Muussa tapauksessa varistoripiiri voi vahingoittua.

## Kytke tehokaapelit (ja asenna suojukset lisävarustetta +B051 varten)

Katso kuva [G](#) sivulla [56](#).

Vaihe	Toimenpide (moottorikaapelit)	Kuva	Sivu
1	Asenna maadoitusliitin taajuusmuuttajamoduulin alaosaan.	<a href="#">J</a>	<a href="#">56</a>
2	Vedä moottorikaapelit kaappiin. Maadoita kaapelin suojavaipat 360 astetta kaapin läpiviennissä.	<a href="#">K</a>	<a href="#">56</a>

Vaihe	Toimenpide (moottorikaapelit)	Kuva	Sivu
3	Kytke moottorikaapelin kierretyt suojavaipat maadoitusliittimeen.	L	56
4	Ruuvaa ja kiristä eristeet käsin paikoilleen taajuusmuuttajamoduuliin. Asenna eristeisiin T3/W2-liitäntä.  <b>VAROITUS!</b> Älä käytä asennuspiirustuksessa kuvattua pidempiä ruuveja tai suurempaa kiristysmomenttia. Ne voivat vahingoittaa eristettä ja aiheuttaa vaarallisen jännitteen syntymisen moduulin runkoon.	M	56
5	Kytke vaiheen T3/W2 johtimet T3/W2-liitäntään.	N	56
6	Asenna eristeisiin T2/V2-liitäntä. Katso varoitus kohdassa 4.	-	-
7	Kytke vaiheen T2/V2 johtimet T2/V2-liitäntään.	-	-
8	Asenna eristeisiin T1/U2-liitäntä. Katso varoitus kohdassa 4.	-	-
9	Kytke vaiheen T1/U2 johtimet T1/U2-liitäntään.	-	-
10	<u>Lisävaruste +B051</u> (jos kaapissa ei ole pohjalevyä ja suojausluokan on oltava IP20): <ul style="list-style-type: none"> <li>• Poraa sisempiin läpinäkyviin muovisuojaan varovasti riittävän isot reiät moottorikaapeliin kytkemistä varten. Viimeistele reikien reunat. Leikkaa suojukseen halkiot rei'istä suojuksen reunaan asti, jotta suoja voidaan asentaa kaapelien ympärille.</li> <li>• Poista suojamuovi suojusten molemmilta puolilta.</li> </ul>	O	57
11	<u>Lisävaruste +B051</u> : Aseta kuvan O sisemmät läpinäkyvät suojukset moottorikaapeliin ympärille.	P	57
12	<u>Lisävaruste +B051</u> : Poista suojamuovi lähdön kirkkaan muovisuojaus molemmilta puolilta. Asenna suoja taajuusmuuttajamoduuliin.	Q	57
13	<u>Lisävaruste +B051</u> : Asenna etukannen alaosa taajuusmuuttajamoduuliin.	Q	57

Vaihe	Toimenpide (syöttökaapelit)	Kuva	Sivu
1	Maadoita syöttökaapeliin mahdolliset suojavaipat 360 astetta kaapin läpiviennissä.	-	-
2	Kytke syöttökaapeliin kierretyt suojavaipat sekä erillinen maadoituskaapeli (jos kaapelissa on sellainen) kaapin maadoituskiskoon.	-	-
3	<u>Lisävaruste +B051</u> : <ul style="list-style-type: none"> <li>• Poraa kaapeliin läpiviennin läpinäkyvään muovisuojaan varovasti riittävän isot reiät kaapeliin kytkemistä varten.</li> <li>• Kohdista reiät pystysuunnassa suojuksen kohdistusreikien mukaan. Viimeistele reikien reunat.</li> <li>• Poista suojamuovi suojuksen molemmilta puolilta.</li> <li>• Kiinnitä kaapelit huolellisesti kaapin runkoon, jotta ne eivät hankaa reiän reunoihin.</li> </ul>	R	57
4	<u>Lisävaruste +B051</u> : Vie syöttökaapeliin johtimet läpinäkyvään muovisuojaukseen porattujen reikien läpi.	S	57
5	Kytke syöttökaapeliin johtimet L1/U1-, L2/V1- ja L3/W1-kiskoihin.	T	57
6	<u>Lisävaruste +B051</u> : Vie läpinäkyvä muovisuojaus syöttökaapeleita pitkin lopulliselle paikalleen. Asenna etuosan läpinäkyvä muovisuojaus paikalleen.	U	58
7	Asenna ylempi etukansi.	U	58
8	Poista taajuusmuuttajamoduulin poistoilma-aukon suojapahvi	U	58
9	<u>Lisävaruste +B051</u> : Leikkaa läpinäkyvään sivusuojamuoviin reikä läpinäkyvää läpivientisuojausta varten. Asenna taajuusmuuttajamoduulin sivu- ja yläsuojukset.	V	58



## Asenna ilmavirtauksen estolevyt

Katso kuva [W](#) sivulla [58](#) ja laiteoppaan luku *Generic cabinet planning instructions*.

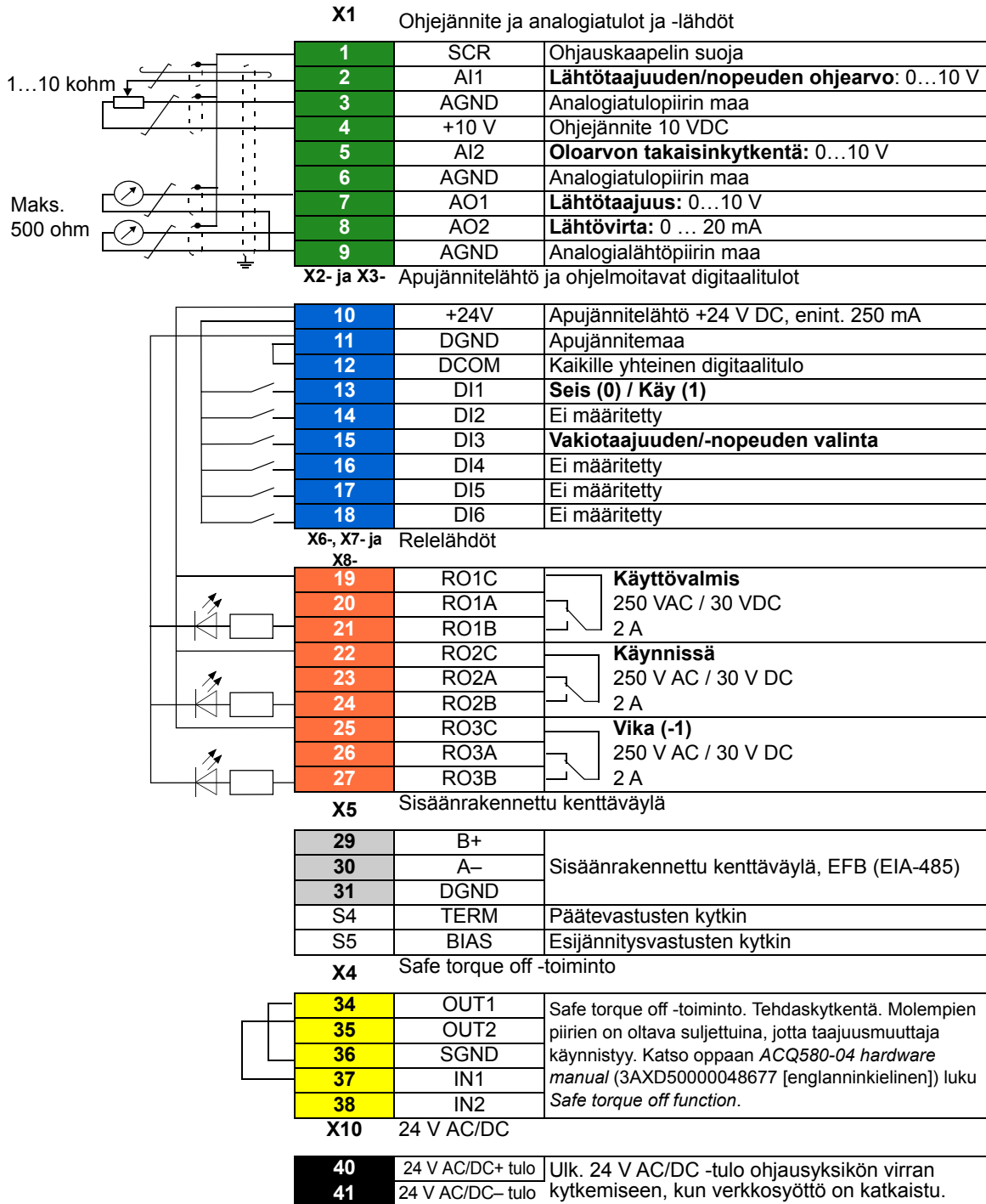
## Kytke ohjauskaapelit

Katso kuva [X](#) sivulla [58](#).

1. Maadoita kaikkien ulkoisten ohjauskaapelien ulkovaipat 360 astetta kaapin läpiviennissä.
2. Maadoita parikaapelien suojavaipat ohjausyksikön alapuolella olevaan maadoituskiinnikkeeseen. Jätä suojavaippojen toiset päät maadoittamatta tai maadoita ne epäsuorasti muutaman nanofaradin suurtaajuuskondensaattorilla, esim. 3,3 nF / 630 V.
3. Liitä johtimet asianmukaisesti ohjausyksikön liittimiin. Katso sivu [34](#).
4. Kytke myös lisävarustemoduulit, mikäli niitä sisältyy toimitukseen.

## Oletusarvoiset I/O-kytkennät

Alla on esitetty oletusarvoisen pumppukokoonpanon oletusarvoiset I/O-kytkennät.



Apujännitelähdön +24 V (X2:10) kokonaiskuormitettavuus on 6,0 W (250 mA / 24 V DC).

Digitaalitulot DI1...DI5 tukevat myös 10...24 V AC-syöttöä.

Johdinkoot: 0,14...2,5 mm<sup>2</sup> (26...16 AWG): kaikki liittimet

Kiristysmomentit: 0,5...0,6 Nm

# FR – Guide d'installation

---

## Contenu de ce guide

Ce guide vous présente dans les grandes lignes la procédure de montage du module variateur dans une enveloppe de 600 mm de large.

Pour des consignes détaillées, des directives d'ingénierie, les caractéristiques techniques ou les consignes de sécurité complètes, reportez-vous au manuel d'installation.

## Consignes de sécurité

Cf. figure A page 55. Le non-respect de ces consignes est susceptible de provoquer des blessures graves, voire mortelles, ou des dégâts matériels.



**ATTENTION !** Manipulez le module variateur avec précaution : déployez les béquilles en les tirant légèrement vers le bas et en les faisant pivoter vers l'extérieur (1, 2).

Vous ne devez pas pencher le module variateur. Il est **lourd** et son **centre de gravité** est élevé. Une inclinaison de 5 degrés suffit à faire basculer le module. Ne laissez pas l'appareil sans surveillance sur un sol glissant.

Pour éviter que le module variateur ne se renverse, enchaînez-le au châssis de l'armoire par ses anneaux de levage avant d'insérer le module dans l'armoire. Il est préférable d'être deux pour cette manipulation, qui doit être effectuée avec précaution. Maintenez une pression constante avec un pied sur la base du module pour l'empêcher de basculer sur l'arrière.



**ATTENTION !** Seul un électricien qualifié est autorisé à effectuer la maintenance ou les raccordements. Effectuez les étapes suivantes avant toute intervention.

1. Identifiez clairement le lieu de travail et le matériel.
2. Déconnectez toutes les sources électriques possibles.
  - Ouvrez le sectionneur principal de l'enveloppe du variateur.
  - Ouvrez le sectionneur du transformateur d'alimentation. L'appareillage de sectionnement principal de l'enveloppe du variateur ne coupe pas la tension des jeux de barres d'entrée c.a. de l'enveloppe du variateur.
  - Vérifiez qu'aucune reconnexion n'est possible. Verrouillez les sectionneurs en position ouverte et fixez-y un avertissement. Respectez les procédures de verrouillage et d'apposition d'un message d'avertissement.
  - Avant de toucher aux câbles de commande, sectionnez toute source de puissance externe des circuits de commande.
  - Après sectionnement du variateur, vous devez toujours attendre les 5 minutes nécessaires à la décharge des condensateurs du circuit intermédiaire avant de raccorder l'adaptateur.
3. Vous devez protéger les éléments sous tension du site d'intervention contre les contacts directs.
4. Prenez des précautions particulières si vous travaillez à proximité de conducteurs dénudés.

5. Vérifiez l'absence de tension dans l'installation
    - Utilisez un multimètre d'une impédance d'au moins 1 Mohm.
    - La tension entre les bornes d'entrée du module variateur (L1/U1, L2/V1, L3/W1) et le jeu de barres de mise à la terre (PE) doit être proche de 0 V.
    - Vérifiez que la tension entre les bornes UDC+ et UDC- du module variateur et le jeu de barres PE est presque nulle.
  6. Procédez à la mise à la terre temporaire conformément à la réglementation locale.
  7. Demandez un permis de travail au responsable de l'installation électrique.
- 

## Sélection des câbles de puissance

Les câbles de puissance doivent être dimensionnés en fonction de la réglementation locale pour supporter le courant nominal indiqué sur la plaque signalétique du variateur.

## Refroidissement

Cf. tableau page 54 pour les pertes et le débit d'air de refroidissement dans le variateur. Sans déclassement, la plage de température de fonctionnement admissible va de -15 à +40 °C. Pour en savoir plus, cf. manuel d'installation.

## Protection du variateur et des câbles réseaux

Voir section *Fuses (IEC)*, page 53, pour les fusibles aR servant à protéger le câble réseau ou le variateur des courts-circuits.

FR

## Montage du module variateur en armoire

Cf. figure B page 55.

- Montez les sections perforées sur l'arrière du châssis de l'armoire.
- Montez les guides et la plaque de guidage inférieure sur la tôle du bas de l'armoire.
- Fixez la rampe télescopique d'insertion/extraction sur la plaque de guidage inférieure.

Option +B051 : Cf. figure C page 55.

- Ôtez le film de protection en plastique transparent qui recouvre les deux parois.

Cf. figure D page 55.

- Montez l'équerre de fixation sur le module variateur.
- Option +B051 :
  - Montez la grille de fond sur le module variateur si l'armoire n'a pas de tôle de fond et que le module variateur doit être protégé IP20 sur l'arrière.
  - Placez la protection métallique sur le haut du module variateur.
  - Placez les protections sur les tôles de fond du module variateur.

Cf. figure E page 55.

- Pour éviter que le module variateur ne se renverse, enchaînez-le au châssis de l'armoire par ses anneaux de levage.
  - Faites glisser le module variateur le long de la rampe télescopique d'insertion/extraction pour le faire pénétrer dans l'armoire.
  - Retirez la rampe.
-

Cf. figure *F* page 55.

- Fixez le module variateur sur la plaque de guidage inférieure.
- Fixez le module variateur par le haut sur les sections perforées à l'arrière de l'armoire.  
**Nota** : L'équerre de fixation assure la mise à la terre du module variateur sur le châssis de l'armoire.

## Mesurez la résistance d'isolement du câble réseau, du moteur et de son câblage

Avant de raccorder le câble réseau au variateur, mesurez sa résistance d'isolement conformément à la réglementation locale.

Cf. figure *H* page 56. Mettez à la terre le blindage du câble moteur du côté moteur. Pour réduire les interférences au minimum, effectuez une reprise de masse sur 360° en entrée de câbles.

Mesurez la résistance d'isolement du moteur et de son câblage lorsqu'il est sectionné du variateur : cf. figure *I* page 56. Mesurez la résistance d'isolement entre chaque conducteur de phase et la terre de protection (PE) avec une tension de mesure de 1000 Vc.c. Les valeurs mesurées sur un moteur ABB doivent être supérieures à 100 Mohm (valeur de référence à 25 °C). Pour la résistance d'isolement des autres moteurs, merci de vous reporter à la documentation du fabricant. **Nota** : La présence d'humidité à l'intérieur de l'enveloppe du moteur réduit sa résistance d'isolement. Si vous soupçonnez la présence d'humidité, séchez le moteur et recommencez la mesure.

## Vérification de la compatibilité avec les schémas de liaison à la terre

### ■ Compatibilité du filtre RFI

Le variateur comporte un filtre RFI interne (+E210) en standard. Vous pouvez raccorder le variateur et son filtre RFI sur des réseaux en régime TN-S (mise à la terre symétrique), IT (neutre isolé ou impédant), TT, et en couplage triangle avec mise à la terre asymétrique ou centrale (« high leg delta »).

### ■ Compatibilité de la varistance phase-terre

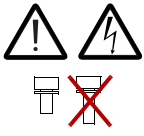
Le variateur est équipé en standard d'une varistance phase-terre interne. Vous pouvez raccorder le variateur et sa varistance phase-terre sur des réseaux en régime TN-S (mise à la terre symétrique) et en couplage triangle avec mise à la terre asymétrique ou centrale (« high leg delta »). Si vous installez le variateur sur un réseau IT (neutre isolé ou impédant) ou TT, vous devez déconnecter la varistance. Cf. section *Consignes de déconnexion de la varistance phase-terre – CEI, hors Amérique du Nord* du manuel d'installation.



**ATTENTION !** Il est interdit de raccorder un variateur équipé de la varistance phase-terre sur un réseau non prévu pour cet usage, car cela risque d'endommager le circuit des varistances.

## Raccordement des câbles de puissance (et montage des protections pour l'option +B051)

Cf. figure [G](#) page [56](#)

Étape	Tâches (câbles moteur)	Figure	Page
1	Montez les bornes de terre sur le châssis du module variateur.	<a href="#">J</a>	<a href="#">56</a>
2	Insérez les câbles moteur dans l'armoire. Effectuez une reprise de masse sur 360° du blindage du câble en entrée d'armoire.	<a href="#">K</a>	<a href="#">56</a>
3	Raccordez les blindages torsadés des câbles moteur à la borne de terre.	<a href="#">L</a>	<a href="#">56</a>
4	<p>Vissez et serrez manuellement les isolants sur le module variateur. Fixez la borne de raccordement T3/W2 sur les isolants.</p>  <p><b>ATTENTION !</b> N'utilisez pas de vis plus longues ou de couple de serrage plus élevé que ce qui est indiqué sur le schéma, car vous risqueriez d'endommager l'isolant et de causer des tensions dangereuses au niveau du châssis du module.</p>	<a href="#">M</a>	<a href="#">56</a>
5	Raccordez les conducteurs de phase T3/W2 à la borne T3/W2.	<a href="#">N</a>	<a href="#">56</a>
6	Fixez la borne de raccordement T2/V2 sur les isolants. Cf. remarque à l'étape 4.	-	-
7	Raccordez les conducteurs de phase T2/V2 à la borne T2/V2.	-	-
8	Fixez la borne de raccordement T1/U2 sur les isolants. Cf. remarque à l'étape 4.	-	-
9	Raccordez les conducteurs de phase T1/U2 à la borne T1/U2.	-	-
10	<p><u>Option +B051</u> (si l'armoire n'a pas de tôle de fond et que le degré de protection IP20 est requis) :</p> <ul style="list-style-type: none"> <li>À l'aide d'un foret étagé, percez délicatement des ouvertures dans les protections internes en plastique transparent, d'un diamètre suffisant pour laisser passer les câbles moteur. Ébavurez les perçages. Ôtez la partie évidée afin de pouvoir passer la protection autour des câbles.</li> <li>Retirez le film plastique sur les deux faces des protections.</li> </ul>	<a href="#">O</a>	<a href="#">57</a>
11	<u>Option +B051</u> : Placez les protections en plastique transparent de la figure <a href="#">O</a> sur les câbles moteur.	<a href="#">P</a>	<a href="#">57</a>
12	<u>Option +B051</u> : Ôtez le film protecteur des deux côtés de la protection en plastique transparent. Placez les protections sur le module variateur.	<a href="#">Q</a>	<a href="#">57</a>
13	<u>Option +B051</u> : Placez le capot avant du bas sur le module variateur.	<a href="#">Q</a>	<a href="#">57</a>

FR

Étape	Tâches (câbles réseau)	Figure	Page
1	Effectuez une reprise de masse sur 360° des blindages de câbles réseau (si présents) en entrée d'armoire.	-	-
2	Raccordez les blindages torsadés des câbles réseau et du câble de terre séparé (si présent) au jeu de barres de mise à la terre de l'armoire.	-	-
3	<p><u>Option +B051</u> :</p> <ul style="list-style-type: none"> <li>À l'aide d'un foret étagé, percez délicatement des ouvertures dans la protection en plastique transparent sur l'entrée de câble, d'un diamètre suffisant pour laisser passer les câbles.</li> <li>Les perçages doivent être alignés verticalement avec les repères de la protection. Ébavurez les perçages.</li> <li>Retirez le film plastique sur les deux faces de la protection.</li> <li>Fixez solidement les câbles au châssis de l'armoire pour éviter qu'ils ne frottent sur les ouvertures.</li> </ul>	<a href="#">R</a>	<a href="#">57</a>
4	<u>Option +B051</u> : Insérez les conducteurs des câbles réseau dans les perçages pratiqués dans la protection en plastique transparent.	<a href="#">S</a>	<a href="#">57</a>
5	Raccordez les conducteurs du câble réseau aux jeux de barres de raccordement L1/U1, L2/V1 et L3/W1.	<a href="#">T</a>	<a href="#">57</a>

Étape	Tâches (câbles réseau)	Figure	Page
6	<u>Option +B051</u> : Montez la protection en plastique transparent sur les passe-câbles et faites-la glisser jusqu'à sa position définitive. Montez la protection en plastique transparent sur l'avant du module.	U	58
7	Installez le capot avant supérieur.	U	58
8	Retirez le capot de protection en carton pour dégager la sortie d'air du module.	U	58
9	<u>Option +B051</u> : Découpez une ouverture pour la protection en plastique transparent sur l'entrée de câble dans la protection latérale en plastique transparent. Placez les protections sur le côté et le haut du module variateur.	V	58

## Montage des déflecteurs

Cf. figure [W](#) page [58](#) et chapitre *Consignes générales de préparation du montage en armoire* du manuel d'installation.

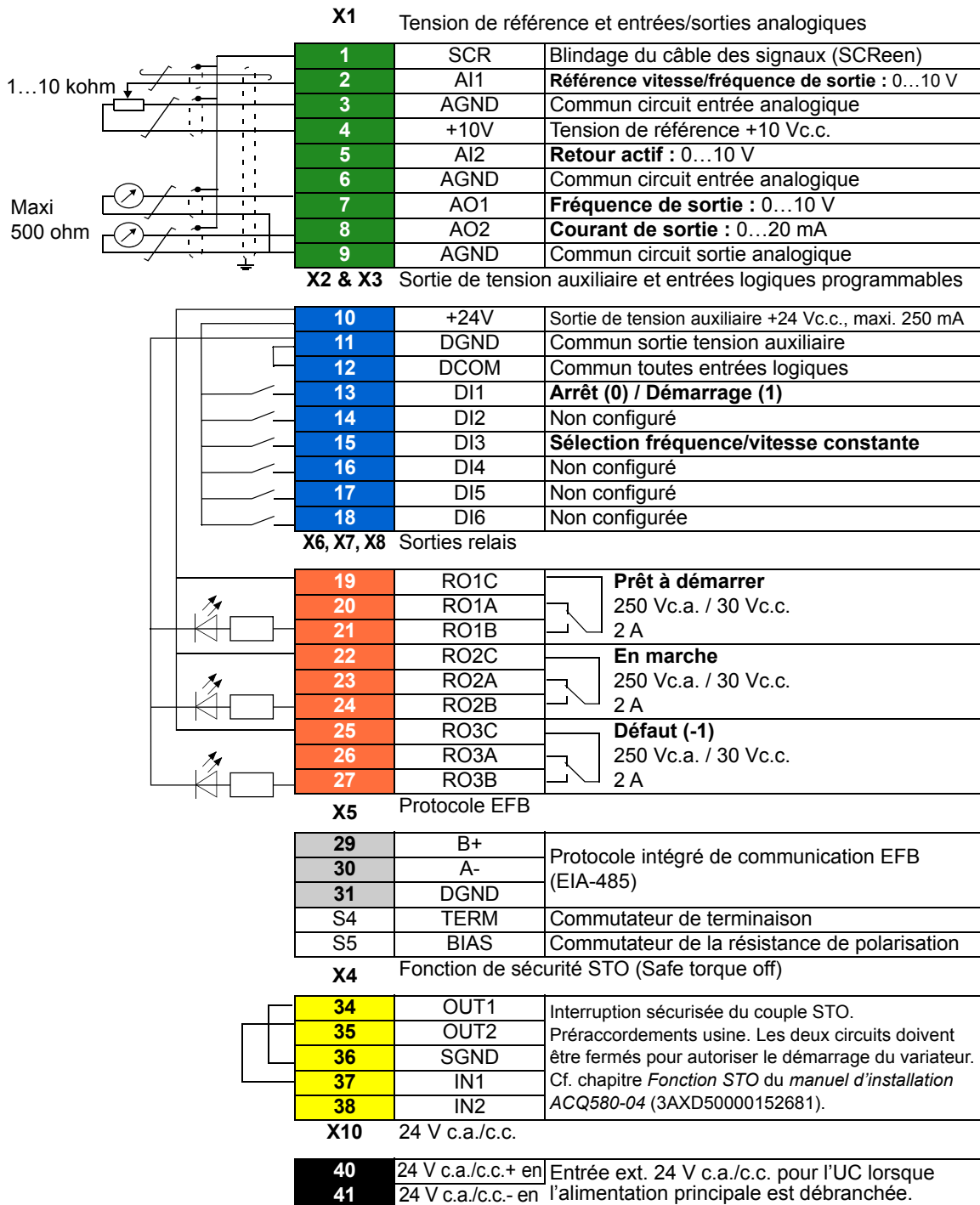
## Raccordement des câbles de commande

Cf. figure [X](#) page [58](#)

1. Effectuez une reprise de masse sur 360° des blindages externes de tous les câbles de commande en entrée d'armoire.
2. Mettez à la masse les blindage des câbles de commande externe au niveau d'un collier de mise à la terre sous l'unité de commande. L'autre extrémité des blindages doit être laissée non connectée ou être reliée à la terre indirectement par le biais d'un condensateur haute fréquence de quelques nanofarads (ex., 3,3 nF/630 V).
3. Raccordez les conducteurs aux bornes correspondantes de l'unité de commande. Cf. page [40](#).
4. Raccordez les modules optionnels, si inclus à la livraison.

## Raccordement des signaux d'E/S (préréglages)

Le schéma suivant illustre les préréglages usine des signaux d'I/O du macroprogramme Eau.



La capacité de charge totale de la sortie en tension auxiliaire +24V (X2:10) est 6,0 W (250 mA / 24 V c.c.).

Les entrées logiques DI1 à DI5 fonctionnent de 10 à 24 Vc.a.

Section des câbles : 0,14...2,5 mm<sup>2</sup> (26...16 AWG) : toutes les bornes

Couples de serrage : 0,5...0,6 N·m (0.4 lbf·ft)



# RU — Краткое руководство по монтажу

---

## Содержание настоящего руководства

В данном руководстве кратко поясняется, как установить приводной модуль в корпусе шириной 600 мм.

Более подробную информацию, технические указания, технические данные и полные инструкции по технике безопасности см. в руководстве по монтажу и вводу в эксплуатацию.

## Выполняйте указания по технике безопасности

См. рис. A на стр. 55. Несоблюдение этих указаний может привести к травме, смертельному исходу или повреждению оборудования.

---



**ПРЕДУПРЕЖДЕНИЕ!** С приводным модулем следует обращаться осторожно. Откиньте опоры, нажав на опору вниз и отводя в сторону (1, 2).

Не наклоняйте приводной модуль. Он **имеет большой вес**, а его **центр тяжести расположен высоко**. При наклоне более 5° модуль перевернется. Не оставляйте модуль без присмотра на наклонном полу.

Прежде чем вставлять приводной модуль в шкаф, прикрепите верхние подъемные проушины модуля цепью к раме шкафа, чтобы модуль не упал. Действуйте осторожно, при этом желательно работать вдвоем. Чтобы модуль не опрокинулся назад, постоянно придерживайте его основание одной ногой.

---



**ПРЕДУПРЕЖДЕНИЕ!** Работы по монтажу или техническому обслуживанию оборудования разрешается выполнять только квалифицированным электрикам. Внимательно изучите приведенные пункты перед началом любых работ по монтажу или техническому обслуживанию.

1. Точно определите место проведения работ и оборудование.
2. Отключите все возможные источники напряжения.
  - Разомкните главный разъединитель в корпусе привода.
  - Разомкните выключатель питающего трансформатора. Главный разъединитель в корпусе привода не отключает подачу напряжения на входные шины питания переменного тока в корпусе привода.
  - Убедитесь, что повторное подключение невозможно. Заблокируйте разъединители в разомкнутом положении и прикрепите к ним предупреждающую табличку. Выполните надлежащие процедуры защитной блокировки и маркировки.
  - Прежде чем приступить к работам с кабелями управления, отключите все внешние источники питания от цепей управления.
  - После отключения привода, перед тем как продолжить работу, подождите 5 минут до момента разрядки конденсаторов промежуточного звена постоянного тока.

3. Обеспечьте защиту других находящихся под напряжением компонентов от прикосновения.
  4. С особой осторожностью выполняйте работы вблизи незаизолированных проводов.
  5. Убедитесь, что оборудование полностью обесточено.
    - Для этого используйте мультиметр с полным сопротивлением не менее 1 МОм.
    - Убедитесь, что напряжение между входными клеммами приводного модуля (L1/U1, L2/V1, L3/W1) и шиной заземления (PE) близко к 0 В.
    - Убедитесь, что напряжение между клеммами привода UDC+ и UDC- и шиной заземления (PE) близко к 0 В.
  6. Организуйте временное заземление в соответствии с местными нормами и правилами.
  7. Обратитесь к лицу, ответственному за электромонтажные работы, за разрешением на проведение работ.
- 

## Выберите силовые кабели

Сечение кабелей следует выбирать в соответствии с местными нормами и величиной номинального тока привода, указанной на его паспортной табличке.

## Обеспечьте надлежащее охлаждение

Величину потерь и расхода охлаждающего воздуха см. в таблице на стр. 54. Допустимый диапазон рабочих температур привода, в котором не наблюдается снижение рабочих характеристик, составляет от -15 до +40 °С. Подробные сведения см. в руководстве по монтажу и вводу в эксплуатацию.

## Защитите привод и входные силовые кабели.

В таблице *Fuses (IEC)* на стр. 53 указаны предохранители aR для защиты от токов короткого замыкания во входном силовом кабеле или в приводе.

## Установите приводной модуль в шкаф

См. рис. B на стр. 55.

- Установите перфорированную секцию на заднюю сторону рамы корпуса.
- Установите опорные штанги и направляющую пластину пьедестала на нижнюю раму шкафа.
- Установите телескопический пандус для вставки/извлечения модулей на направляющую пластину пьедестала.

Дополнительное устройство +B051: См. рис. C на стр. 55.

- Удалите защитную пленку с прозрачных пластмассовых щитков на обеих сторонах.

См. рис. D на стр. 55.

- Прикрепите к приводному модулю крепежный кронштейн.
  - Дополнительное устройство +B051:
    - Если в шкафу отсутствует нижняя пластина, а для приводного модуля с нижней стороны требуется обеспечение класса защиты IP20, вставьте в модуль нижнюю решетку.
    - Установите на приводной модуль верхний металлический щиток.
    - Установите на приводной модуль задние щитки.
-

См. рис. [E](#) на стр. [55](#).

- Чтобы приводной модуль не мог упасть, прикрепите подъемные проушины цепями к раме шкафа.
- Вставьте приводной модуль в шкаф, вдвигая его по телескопическому пандусу для вставки/извлечения модулей.
- Снимите пандус.

См. рис. [F](#) на стр. [55](#).

- Прикрепите приводной модуль к направляющей пластине пьедестала.
- Прикрепите приводной модуль сверху к перфорированной секции на задней стороне шкафа. **Примечание.** Крепежный кронштейн заземляет приводной модуль путем соединения с рамой шкафа.

## Измерьте сопротивление изоляции питающего кабеля, кабеля двигателя и самого двигателя

Перед тем как подключать входной силовой кабель к приводу, измерьте сопротивление изоляции кабеля согласно местным нормам и правилам.

См. рис. [H](#) на стр. [56](#). Заземлите экран кабеля двигателя со стороны двигателя. С целью сведения к минимуму помех выполните круговое заземление на вводе кабеля или оставьте короткий отрезок экрана.

Измерьте сопротивление изоляции двигателя и кабеля двигателя, когда кабель отсоединен от привода, см. рис. [I](#) на стр. [56](#). Измерьте сопротивление изоляции между каждым фазным проводником и проводником защитного заземления. Используйте измерительное напряжение 1000 В $\approx$ . Сопротивление изоляции двигателя АВВ должно превышать 100 МОм (эталонное значение при 25 °С). Сведения о сопротивлении изоляции других двигателей см. в инструкциях изготовителей. **Примечание.** Наличие влаги внутри корпуса двигателя снижает сопротивление изоляции. Если имеется подозрение о наличии влаги, просушите двигатель и повторите измерение.

## Проверьте совместимость с системой заземления

### ■ Совместимость фильтра ЭМС

Внутренний фильтр ЭМС (дополнительное устройство +E210) предусмотрен в стандартной комплектации привода. Привод с подключенным фильтром ЭМС можно подключить к симметрично заземленной системе TN-S, системе IT, системе с заземленной вершиной треугольника, системе с заземленной средней точкой треугольника и системе TT.

### ■ Совместимость варистора «земля-фаза»


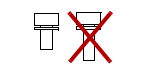
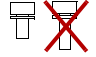
Внутренний варистор «земля-фаза» предусмотрен в стандартной комплектации привода. Привод с подключенным варистором «земля-фаза» можно подключить к симметрично заземленной системе TN-S, системе с заземленной вершиной треугольника и системе с заземленной средней точкой треугольника. При установке привода в систему IT или TT может потребоваться отключить варистор. См. раздел *Ground-to-phase varistor disconnecting instructions – IEC, not North America* с указаниями по отключению варистора «земля-фаза» в соответствии с требованиями стандартов IEC, а не Северной Америки, в руководстве по монтажу и вводу в эксплуатацию.



**ПРЕДУПРЕЖДЕНИЕ!** Запрещается устанавливать привод с подключенным варистором «земля-фаза» в системе, для которой варистор не предназначен. В противном случае возможно повреждение цепи варистора.

## Присоедините силовые кабели (и установите щитки для дополнительного устройства +B051)

См. рис. G на стр. 56.

Шаг	Действие (кабели двигателей)	Рисунок	Стр.
1	Установите на основание приводного модуля клемму заземления.	J	56
2	Подведите кабели двигателя в шкаф. Обеспечить 360-градусное заземление экранов кабелей в месте ввода в шкаф.	K	56
3	Подключите скрученные экраны кабелей двигателя к зажиму заземления.	L	56
4	<p>Ввинтите изоляторы в приводной модуль и вручную затяните соединение. Установите на изоляторы соединительную клемму T3/W2.</p>   <p><b>ПРЕДУПРЕЖДЕНИЕ!</b> Не используйте более длинные винты и моменты затяжки, превышающие указанные на монтажном чертеже. Это может привести к повреждению изолятора и появлению опасных напряжений на раме модуля.</p> 	M	56
5	Подключите фазные проводники T3/W2 к клемме T3/W2.	N	56
6	Установите на изоляторы соединительную клемму T2/V2. См. предупреждение в операции 4.	-	-
7	Подключите фазные проводники T2/W2 к клемме T2/W2.	-	-
8	Установите на изоляторы соединительную клемму T1/U2. См. предупреждение в операции 4.	-	-
9	Присоедините фазные проводники T1/U2 к клемме T1/U2.	-	-
10	<p><u>Дополнительное устройство +B051 (если нижняя пластина в шкафу отсутствует и требуется обеспечение класса защиты IP20):</u></p> <ul style="list-style-type: none"> <li>Осторожно просверлите ступенчатым сверлом достаточно большие отверстия во внутренних прозрачных пластмассовых щитках для подключения кабелей двигателя. Удалите кромки отверстий. Разрежьте щитки от отверстий к краю, чтобы можно было надеть щитки на кабели.</li> <li>Удалите пластиковую защитную пленку с обеих сторон щитков.</li> </ul>	O	57
11	<u>Дополнительное устройство +B051:</u> Наденьте внутренние прозрачные пластмассовые щитки (рис. O) на кабели двигателя.	P	57
12	<u>Дополнительное устройство +B051:</u> Удалите пластиковую защитную пленку с обеих сторон выходного прозрачного пластмассового щитка. Установите щиток на приводной модуль.	Q	57
13	<u>Дополнительное устройство +B051:</u> Установите на приводной модуль переднюю нижнюю крышку.	Q	57

RU

Шаг	Действие (входные кабели)	Рисунок	Стр.
1	Обеспечьте 360-градусное заземление экранов входных кабелей (если имеются) в месте их ввода в шкаф.	-	-
2	Подключите скрученные экраны входных кабелей и отдельный кабель заземления (если имеется) к шине заземления шкафа.	-	-

Шаг	Действие (входные кабели)	Рисунок	Стр.
3	<p><u>Дополнительное устройство +B051:</u></p> <ul style="list-style-type: none"> <li>Осторожно просверлите ступенчатым сверлом достаточно большие отверстия в проходном прозрачном пластмассовом щитке для подключения кабелей.</li> <li>Совместите отверстия в вертикальном направлении с установочными отверстиями в щитке. Удалите кромки отверстий.</li> <li>Удалите пластиковую защитную пленку с обеих сторон щитка.</li> <li>Плотно прижмите кабели к раме шкафа, чтобы предотвратить истирание о края отверстий.</li> </ul>	R	57
4	<p><u>Дополнительное устройство +B051:</u> Пропустите проводники входных кабелей сквозь просверленные отверстия в прозрачных пластмассовых щитках.</p>	S	57
5	Подключите проводники входных силовых кабелей L1/U1, L2/V1 и L3/W1 к соединительным шинам.	T	57
6	<p><u>Дополнительное устройство +B051:</u> Передвиньте прозрачный пластмассовый щиток вдоль входных кабелей в его окончательное положение. Установите передний пластмассовый щиток.</p>	U	58
7	Установите верхнюю переднюю панель.	U	58
8	Удалите картонный щиток с воздуховыпускного отверстия приводного модуля.	U	58
9	<p><u>Дополнительное устройство +B051:</u> Прорежьте отверстие в боковом прозрачном пластмассовом щитке для проходного прозрачного пластмассового щитка. Установите на приводной модуль боковой и верхний щитки.</p>	V	58

## Установите воздухоотражатели.

См. рис. *W* на стр. 58 и *Рекомендации по планированию монтажа шкафа* в руководстве по монтажу и вводу в эксплуатацию.

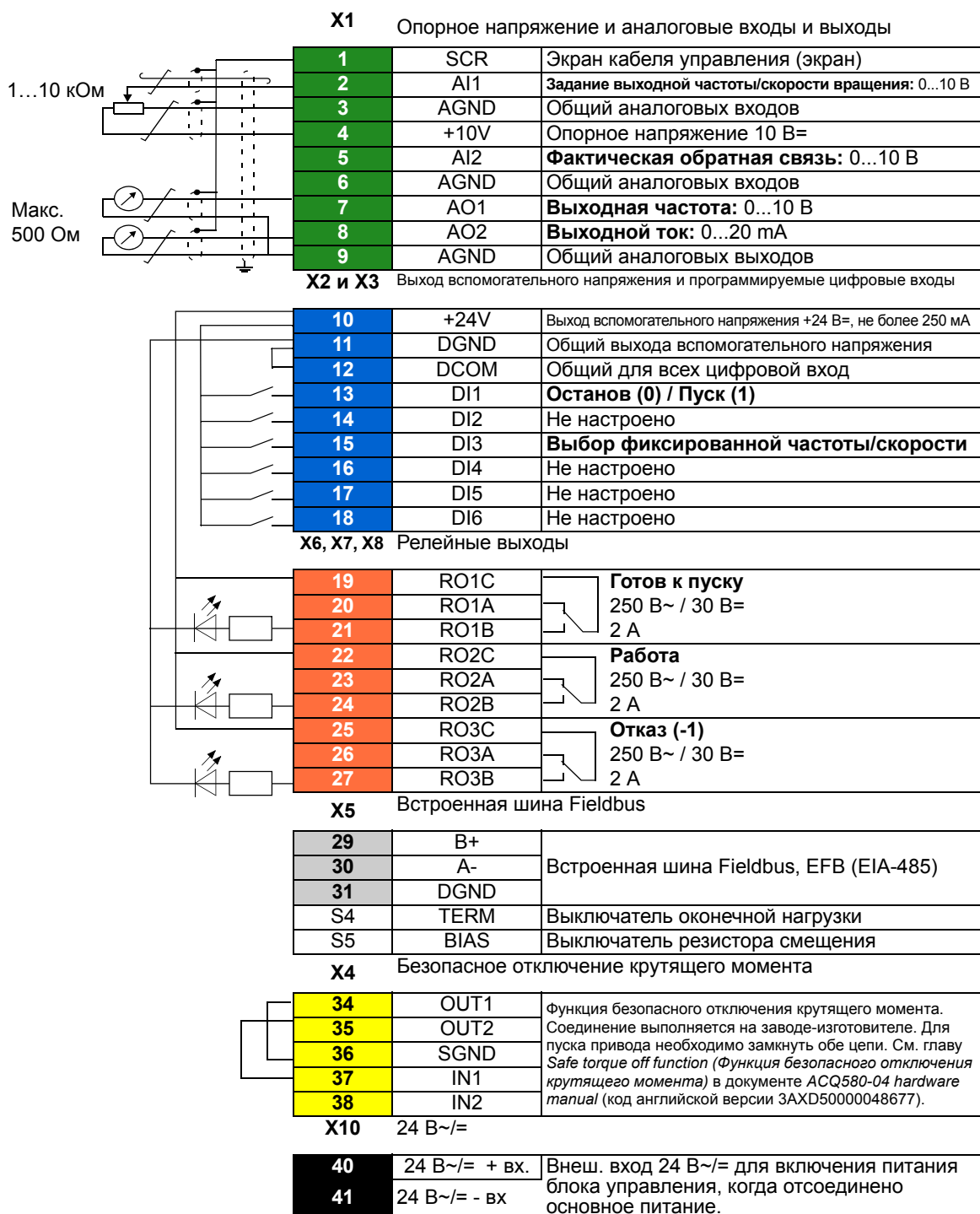
## Подключите кабели управления

См. рис. *X* на стр. 58.

1. Выполните круговое заземление наружных экранов всех внешних кабелей управления на панели ввода кабелей в шкаф
2. Заземлите экраны внешних кабелей управления типа «витая пара» при помощи заземляющего зажима под блоком управления. Другие концы экранов следует оставить незаземленными или соединить их с землей непосредственно через высокочастотный конденсатор емкостью несколько нанофарад, например, 3,3 нФ / 630 В.
3. Подключите проводники к соответствующим клеммам блока управления. См. стр. 46.
4. Подключите дополнительные модули, если они включены в комплект поставки.

## ■ Стандартные подключения входов/выходов

Ниже показано подключение входов/выходов в стандартной конфигурации для системы водоснабжения.



Общая нагрузочная способность выхода вспомогательного напряжения +24 В (X2:10) составляет 6,0 Вт (250 mA / 24 В=).

Цифровые входы DI1...DI5 также поддерживают напряжение от 10 до 24 В~.

Сечение проводов: 0,14...2,5 мм<sup>2</sup>: все клеммы

Момент затяжки: 0,5...0,6 Н·м

# SV – Snabbguide för installation

---

## Innehållet i denna guide

Den här guiden ger kortfattade instruktioner för hur du installerar frekvensomriktarmodulen i en 600 mm bred kåpa.

För mera detaljerade instruktioner, konstruktionsriktlinjer, tekniska data och fullständiga säkerhetsinstruktioner, se Beskrivning av hårdvara.

## Följ säkerhetsinstruktionerna

Se figur A på sidan 55. Om instruktionerna inte följs kan det orsaka personskador eller dödsfall eller skador på utrustningen:



**WARNING!** Hantera frekvensomriktarmodulen försiktigt. Fäll ut stödbenen genom att trycka ned varje ben något och vrida det utåt (1, 2).

Luta inte frekvensomriktarmodulen. Den är **tung** och har **hög tyngdpunkt**. Modulen välter om den lutas mer än 5 grader. Lämna inte modulen obevakad på ett lutande underlag.

Fäst lyftöglorna med kedjor vid skåpramen så att inte frekvensomriktaren välter innan du skjuter in modulen i skåpet. Arbeta försiktigt, helst med hjälp av en annan person. Håll ett konstant tryck med foten mot modulens bas, så att den inte välter på rygg.



**WARNING!** Installationsarbete och underhållsarbete får endast utföras av kvalificerad elektriker. Gå igenom dessa steg innan installations- eller underhållsarbete påbörjas.

1. Identifiera arbetsplatsen och utrustningen tydligt.
2. Koppla bort alla eventuella spänningsmatningar.
  - Öppna huvudfrånskiljaren på frekvensomriktarens kåpa.
  - Öppna matningstransformatorns frånskiljare. Huvudfrånskiljaren i frekvensomriktarens kåpa gör inte frekvensomriktarkåpans inkommande matningsskenor spänningslösa.
  - Säkerställ att återanslutning inte är möjlig. Lås frånskiljarna i öppet läge och placera en varningsskylt på dem. Följ korrekta procedurer för spärrning och märkning.
  - Frånskilj eventuella externa strömkällor från styrkretsarna innan styrkablarna vidrörs.
  - Efter frånskiljning av frekvensomriktaren, vänta alltid 5 minuter för att låta mellanledskondensatorerna ladda ur.
3. Skydda andra strömförande delar på arbetsplatsen mot kontakt.
4. Vidta särskilda försiktighetsåtgärder i närheten av oisolerade ledare.



5. Kontrollera att installationen är spänningslös.
    - Använd en multimeter med en impedans på minst 1 Mohm.
    - Säkerställ att spänningen mellan frekvensomriktarmodulens ingångsplintar (L1/U1, L2/V1, L3/W1) och jordningssamlingsskenan är nära 0 V.
    - Se till att spänningen mellan frekvensomriktarmodulens anslutningar UDC+ och UDC- och jordningsskenor (PE) är nära 0 V.
  6. Installera temporär jordning enligt lokala föreskrifter.
  7. Begär arbetstillstånd från den person som är ansvarig för det elektriska installationsarbetet.
- 

## Anslutning av kraftkablar

Dimensionera kraftkablarna enligt lokala föreskrifter och den märkström som anges på frekvensomriktarens typbeteckningsetikett.

## Kontrollera att kylningen är tillfredsställande

Se tabellen på sid [54](#) för information om förlusteffekt och kylflöde genom frekvensomriktaren. Tillåtet drifttemperaturområde för frekvensomriktaren utan nedstämpling är -15 till +40 °C. Mer information finns i Beskrivning av hårdvara.

## Skydda frekvensomriktaren och matningskablarna

Se [Fuses \(IEC\)](#) på sidan [53](#) för aR-säkringar för skydd mot kortslutning i matningskabel eller frekvensomriktare.

## Installera frekvensomriktarmodulen i ett skåp

Se figur [B](#) på sidan [55](#):

- Installera den hålförsedda sektionen på baksidan av skåpramen.
- Installera stödskenorna och piedestalstyrplattan på skåpets bottenram.
- Installera den teleskopiska rampen för inskjutning/utdragning på piedestalstyrplattan.

Tillval +B051: Se figur [C](#) på sidan [55](#):

- Ta bort skyddsplasten på båda sidor av de genomskinliga beröringsskydden.

Se figur [D](#) på sidan [55](#):

- Installera fästbygeln vid frekvensomriktarmodulen.
- Tillval +B051:
  - Installera bottengallret på frekvensomriktarmodulen om det inte finns någon bottenplatta i skåpet och kapslingsklassen IP20 krävs för frekvensomriktarmodulen från undersidan.
  - Montera den övre metallkåpan på frekvensomriktarmodulen.
  - Montera bakkåporna på frekvensomriktarmodulen.

Se figur [E](#) på sidan [55](#):

- Fäst lyftöglorna med kedjor vid skåpramen så att inte frekvensomriktaren välter.
  - Skjut in frekvensomriktarmodulen i skåpet längs den teleskopiska rampen för inskjutning/utdragning.
  - Ta bort rampen.
-



Se figur *F* på sidan 55:

- Montera frekvensomriktarmodulen på piedestalstyrplattan.
- Montera frekvensomriktarmodulens ovandel mot den hålförsedda sektionen på skåpets baksida. **Obs!** Fästbyglarna jordar frekvensomriktarmodulen vid skåpramen.

## Mät isolationen hos nätkabel, motor och motorkabel

Mät den inkommande matningskabellns isolation enligt lokala föreskrifter, innan kabeln ansluts till frekvensomriktaren.

Se figur *H* på sidan 56. Jorda motorkabelskärmen vid motoränden. För att minimera störningarna, gör en 360° runtomgående jordning vid kabelgenomföringen, eller håll skärmstumpen kort.

Mät isolationen hos motor och motorkabel när kabeln är frånkopplad frekvensomriktaren, se figur *I* på sidan 56. Mät isolationsresistansen mellan varje fasledare och skyddsjordledaren. Använd mätspänningen 1000 V DC. Isolationsresistansen hos en ABB-motor måste överskrida 100 Mohm (referensvärde vid 25 °C). För isolationsresistans hos andra motorer, se respektive tillverkares dokumentation. **Obs!** Fukt inuti motorkapslingen minskar isolationsresistansen. Om fukt misstänks, torka motorn och upprepa mätningen.

## Kontrollera jordningssystemets kompatibilitet

### ■ EMC-filterkompatibilitet

Frekvensomriktaren har ett internt EMC-filter (+E210) som standard. Frekvensomriktaren kan installeras med EMC-filtret anslutet till ett symmetriskt jordat TN-S-system, IT-system, hörnjordat delsystem, mittpunktjordade delsystem och TT-system.

### ■ Kompatibilitet för jord till fas-varistor

Frekvensomriktaren är utrustad med en intern jord till fas-varistor som standard. Frekvensomriktaren kan installeras med jord till fas-filtret anslutet till ett symmetriskt jordat TN-S-system, hörnjordat delsystem och mittpunktjordade delsystem. Om frekvensomriktaren ska installeras i ett IT-system eller ett TT-system måste varistorn frånkopplas. Se avsnitt *Ground-to-phase varistor disconnecting instructions – IEC, not North America* i hårdvaruhandledningen.

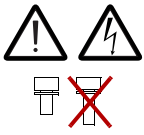


**WARNING!** Installera inte frekvensomriktaren med jord till fas-varistorn ansluten till ett system som varistorn inte passar till. I så fall kan varistorkretsen skadas.

## Anslut matningskablarna (och installera kåporna för tillval +B051)

Se figur *G* på sidan 56.

Steg	Uppgift (motorkablar)	Figur	Sidan
1	Montera jordplinten på frekvensomriktarmodulens bas.	<i>J</i>	56
2	Dra kablarna till skåpet. Jorda kabelskärmarna 360 grader vid skåpingången.	<i>K</i>	56
3	Anslut de tvinnade skärmändarna av motorkablarna till jordplintarna.	<i>L</i>	56

Steg	Uppgift (motorkablar)	Figur	Sidan
4	<p>Skruva in och dra åt isolatorerna till frekvensomriktarmodulen för hand. Montera T3/W2-anslutningsfanan till isolatorerna.</p>  <p><b>WARNING!</b> Använd inte längre skruvar eller större åtdragningsmoment än vad som anges i installationsritningen. Båda åtgärderna kan skada isolatorerna och orsaka farlig spänning i modulramen.</p>	M	56
5	Anslut T3/W2-fasledarna till T3/W2-fanan.	N	56
6	Montera T2/V2-anslutningsfanan till isolatorerna. Se varningen i steg 4.	-	-
7	Anslut T2/V2-fasledarna till T2/V2-fanan.	-	-
8	Montera T1/U2-anslutningsfanan till isolatorerna. Se varningen i steg 4.	-	-
9	Anslut T1/U2-fasledarna till T1/U2-fanan.	-	-
10	<p><u>Tillval +B051 (om det inte finns någon bottenplatta i skåpet och kapslingsklassen IP20 krävs):</u></p> <ul style="list-style-type: none"> <li>Borra försiktigt upp tillräckligt stora hål i de inre plastkåporna för kabelgenomföring för att kablarna ska kunna anslutas. Jämna till hålkanterna. Kapa kåpan från hålen till kanten så att kåpan kan placeras runt kablarna.</li> <li>Ta bort skyddsplasten på båda sidor av kåporna.</li> </ul>	O	57
11	<u>Tillval +B051:</u> Placera de inre plastkåporna i figur O runt motorkablarna.	P	57
12	<u>Tillval +B051:</u> Ta bort skyddsplasten på båda sidor av det genomskinliga beröringsskyddet. Montera beröringsskyddet på frekvensomriktarmodulen.	Q	57
13	<u>Tillval +B051:</u> Montera den nedre frontkåpan på frekvensomriktarmodulen.	Q	57

Steg	Uppgift (ingångskablar)	Figur	Sidan
1	Jorda ingångskabelskärmarna (i förekommande fall) 360 grader vid skåpingången.	-	-
2	Anslut de tvinnade skärmarna för ingångskablarna och separera jordkabeln (i förekommande fall) till skåpets jordningsskena.	-	-
3	<p><u>Tillval +B051:</u></p> <ul style="list-style-type: none"> <li>Borra försiktigt upp tillräckligt stora hål i de inre plastkåporna för kabelgenomföring för att kablarna ska kunna anslutas.</li> <li>Justera hålen vertikalt efter justeringshålen i kåpan. Jämna till hålkanterna.</li> <li>Ta bort skyddsplasten på båda sidor av kåpan.</li> <li>Fäst kablarna ordentligt till skåpramen för att förhindra att de skaver mot hålkanterna.</li> </ul>	R	57
4	<u>Tillval +B051:</u> Dra ingångskablarnas ledare genom de borrade hålen i den genomskinliga plastkåpan.	S	57
5	Anslut ingångskablarnas ledare till L1/U1-, L2/V1- och L3/W1-skenorna för anslutning.	T	57
6	<u>Tillval +B051:</u> Dra den genomskinliga plastkåpan längs nätkablarna till sin slutgiltiga position. Montera den främre plastkåpan.	U	58
7	Montera den övre frontplåten.	U	58
8	Ta bort skyddskartongen från frekvensomriktarmodulens luftutlopp	U	58
9	<u>Tillval +B051:</u> Kapa hål för den genomskinliga plastkåpan med kabelgenomföringar i det genomskinliga beröringsskyddet. Montera beröringsskydden på sidan och ovanpå frekvensomriktarmodulen.	V	58

## Installera luftledplåtarna

Se figur W på sidan 58 och *Generic cabinet planning instructions* i hårdvaruhandledningen.

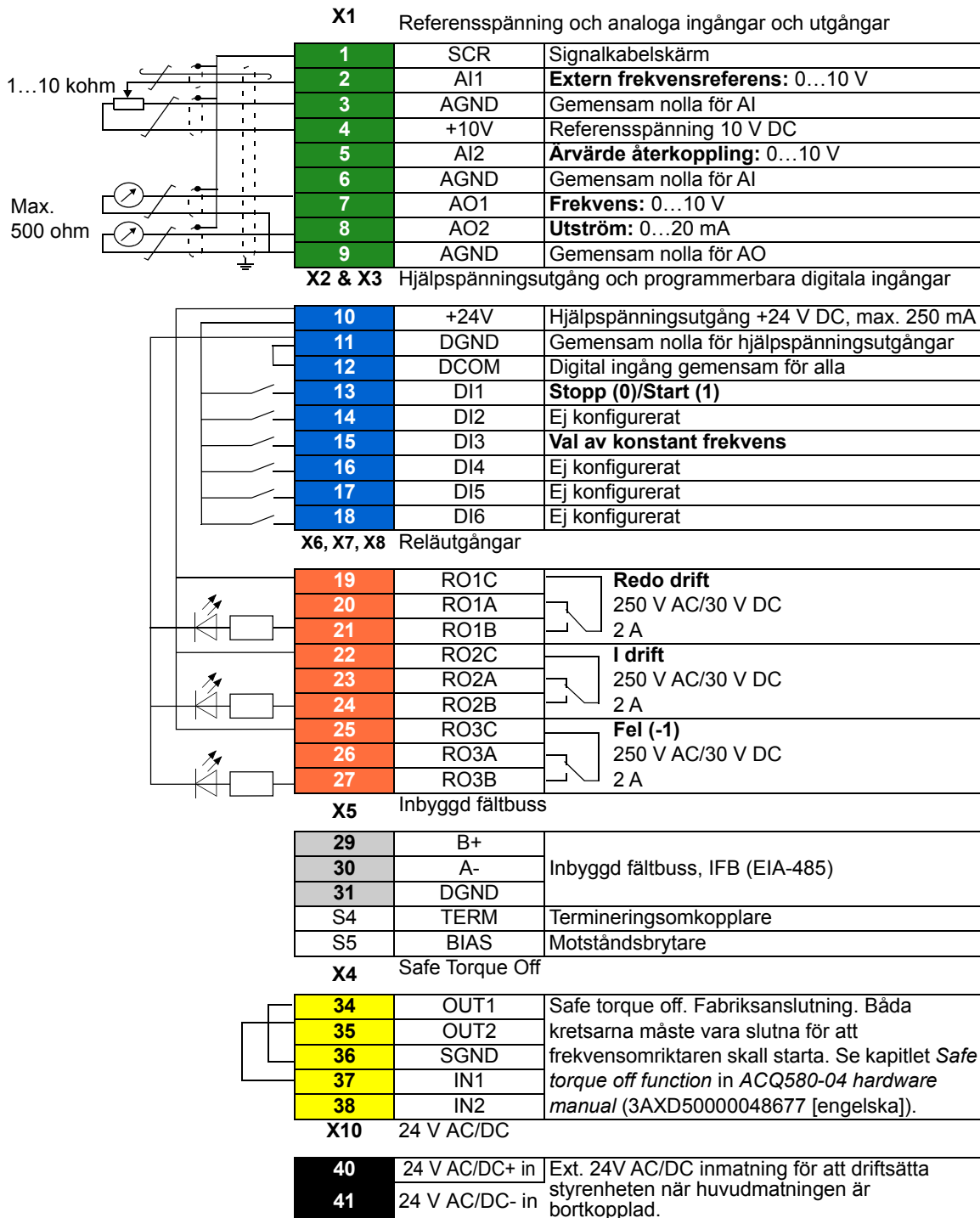
## Anslut styrkablarna

Se figur X på sidan 58.

1. Jorda de yttre skärmarna för alla externa styrkablar 360 grader vid skåpets genomföring.
2. Jorda ledarparskärmarna för alla externa styrkablar med en jordklämma under styrenheten. Lämna skärmarnas motsatta ändar oanslutna, eller jorda dem indirekt via en högfrekvenskondensator på några få nanofarad, t.ex. 3,3 nF/630 V).
3. Anslut ledarna till respektive plintar på styrenheten. Se sidan 52.
4. Anslut tillvalsmodulerna om de har medföljt leveransen.

## Förvalda I/O-anslutningar

De förvalda I/O-anslutningarna för den förvalda konfigurationen för vatten visas nedan.



Total belastningskapacitet för hjälpspänningsutgång +24 V (X2:10) är 6,0 W (250 mA/24 V DC).

Digitala ingångar DI1...DI5 har även stöd för 10 till 24 V AC.

Ledardimensioner: 0,14...2,5 mm<sup>2</sup> (26...16 AWG): Alla plintar

Åtdragningsmoment: 0,5...0,6 Nm

# Tables and EU declaration of conformity

## Fuses (IEC)

Manufacturer Bussmann. Type (IEC 60269) = 3. Voltage rating 690 V.

ACQ580-04-...	Input current (A)	Ultrarapid (aR) fuses					
		Type DIN 43653 (bolted style)			Type DIN 43620 (blade style)		
		Nominal current	$I^2t$	Fuse	Nominal current	$I^2t$	Fuse
		A	A <sup>2</sup> s		A	A <sup>2</sup> s	
$U_n = 400\text{ V}$							
505A-4	505	800	465000	170M6012	1600	4150000	170M8557D
585A-4	585	1000	945000	170M6014	1600	4150000	170M8557D
650A-4	650	1000	945000	170M6014	1600	4150000	170M8557D
725A-4	725	1250	1950000	170M6016	-	-	-
820A-4	820	1600	3900000	170M6269	-	-	-
880A-4	880	1600	3900000	170M6269	-	-	-
$U_n = 480\text{ V}$							
505A-4	505	800	465000	170M6012	1600	4150000	170M8557D
585A-4	585	1000	945000	170M6014	1600	4150000	170M8557D
650A-4	650	1000	945000	170M6014	1600	4150000	170M8557D
725A-4	725	1250	1950000	170M6016	-	-	-
820A-4	820	1600	3900000	170M6269	-	-	-
880A-4	880	1600	3900000	170M6269	-	-	-

3AXD00000586715


## Fuses (UL)

ACQ580-04-...	Input current (A)	UL fuses				
		A	V	Manufacturer	UL class	Type
$U_n = 480\text{ V}$						
505A-4	505	600	600	Bussmann	T	JJS-600
585A-4	585	800	600	Ferraz	L	A4BY800
650A-4	650	800	600	Ferraz	L	A4BY800
725A-4	725	1000	600	Ferraz	L	A4BY1000
820A-4	820	1000	600	Ferraz	L	A4BY1000
880A-4	880	1000	600	Ferraz	L	A4BY1000

## Losses, cooling data and noise

ACQ580-04-...	Frame size	Air flow		Heat dissipation	Noise
		m <sup>3</sup> /h	cfm	W	dB(A)
505A-4	R10	1200	707	5602	72
585A-4	R10	1200	707	6409	72
650A-4	R10	1200	707	8122	72
725A-4	R11	1200	707	8764	72
820A-4	R11	1200	707	9862	72
880A-4	R11	1420	848	10578	71
					3AXD00000586715

## EU declaration of conformity



**EU Declaration of Conformity**  
Machinery Directive 2006/42/EC

We

Manufacturer: ABB Oy  
Address: Hiomotie 13, 00380 Helsinki, Finland.  
Phone: +358 10 22 11

declare under our sole responsibility that the following product:

**Frequency converter(s)**  
**ACQ580-04/-34**

with regard to the safety function(s)

**Safe Torque Off**

is/are in conformity with all the relevant safety component requirements of EU Machinery Directive 2006/42/EC, when the listed safety function is used for safety component functionality.

The following harmonized standards have been applied:

EN 61800-5-2:2007	Adjustable speed electrical power drive systems – Part 5-2: Safety requirements - Functional
EN 62061:2005 + AC:2010 + A1:2013 + A2:2015	Safety of machinery – Functional safety of safety-related electrical, electronic and programmable electronic control systems
EN ISO 13849-1:2015	Safety of machinery – Safety-related parts of control systems. Part 1: General requirements
EN ISO 13849-2:2012	Safety of machinery – Safety-related parts of the control systems. Part 2: Validation
EN 60204-1: 2006 + A1:2009 + AC:2010	Safety of machinery – Electrical equipment of machines – Part 1: General requirements


The following other standards have been applied:


IEC 61508:2010, parts 1-2	Functional safety of electrical / electronic / programmable electronic safety-related systems
IEC 61800-5-2:2016	Adjustable speed electrical power drive systems – Part 5-2: Safety requirements - Functional

The product(s) referred in this Declaration of conformity fulfil(s) the relevant provisions of other European Union Directives which are notified in Single EU Declaration of conformity 3AXD10000497692.

Person authorized to compile the technical file:  
Name and address: Jussi Vesti, Hiomotie 13, 00380 Helsinki, Finland.

Helsinki, 07.02.2020  
Signed for and on behalf of:

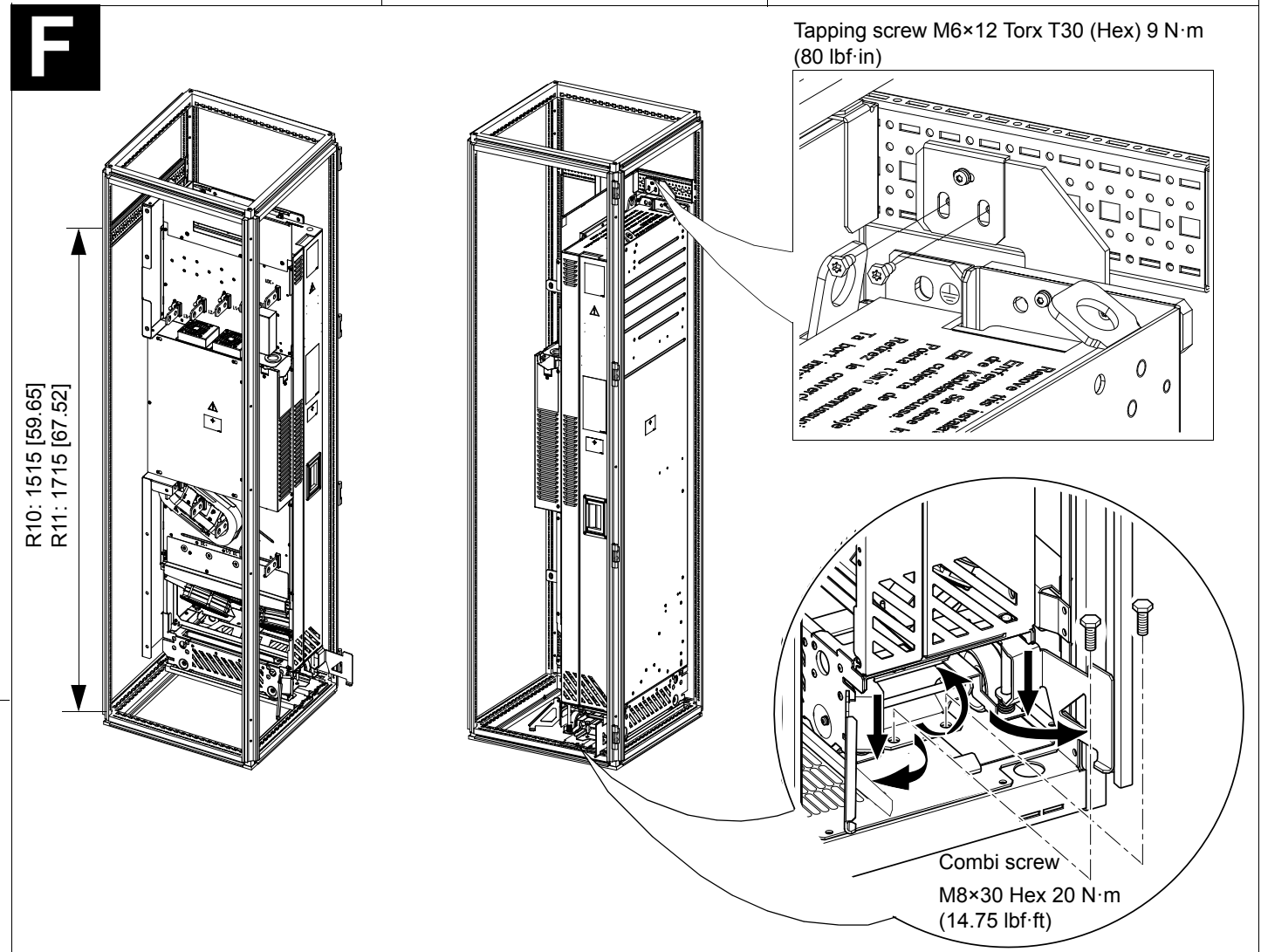
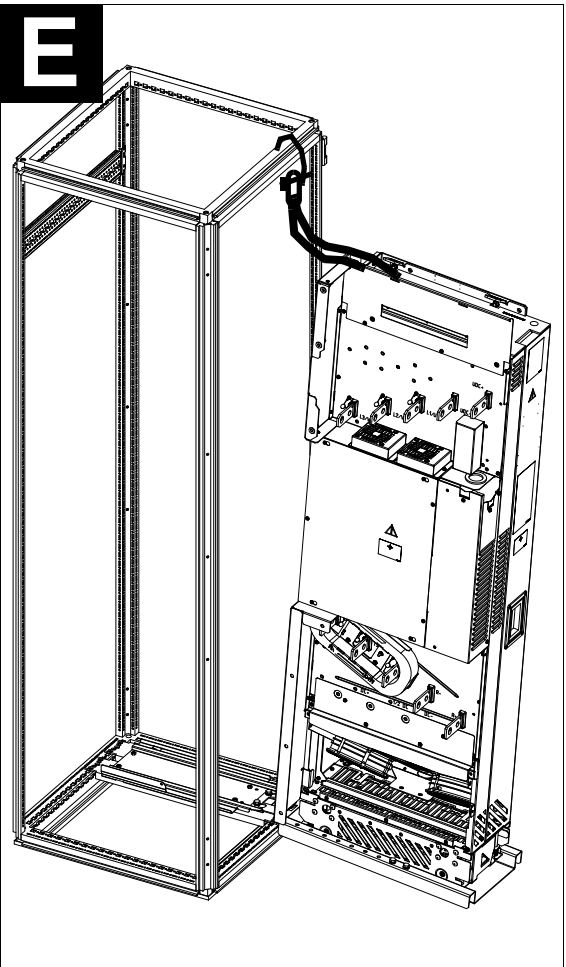
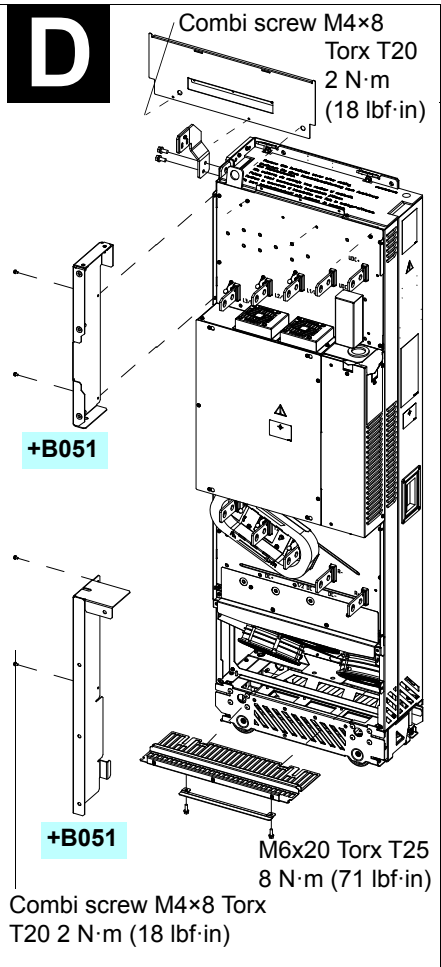
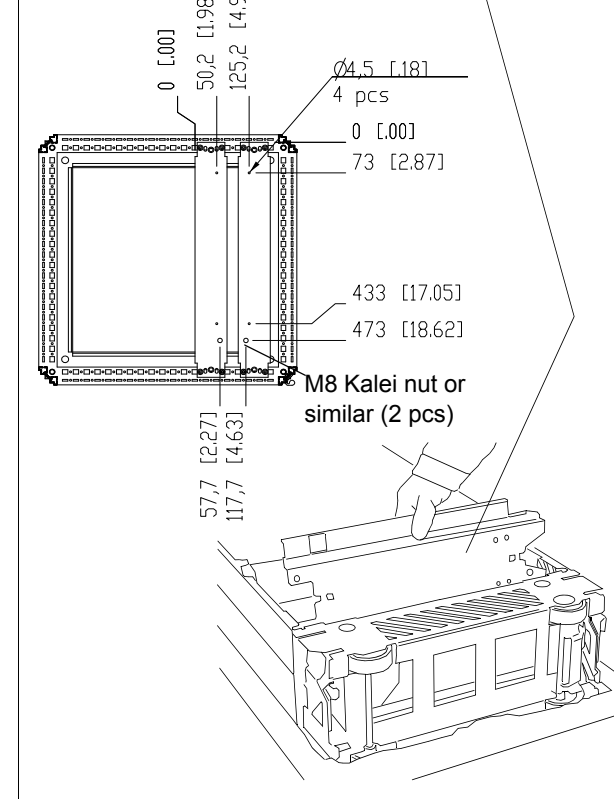
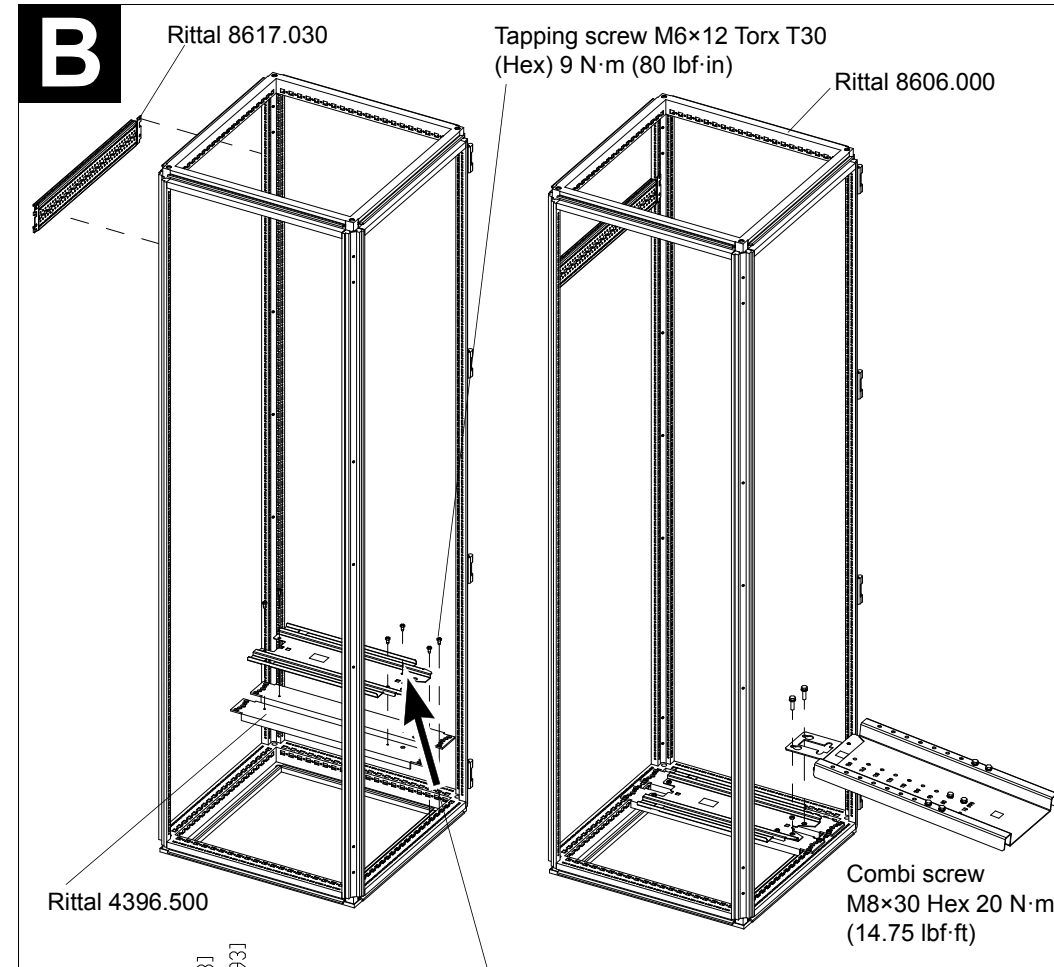
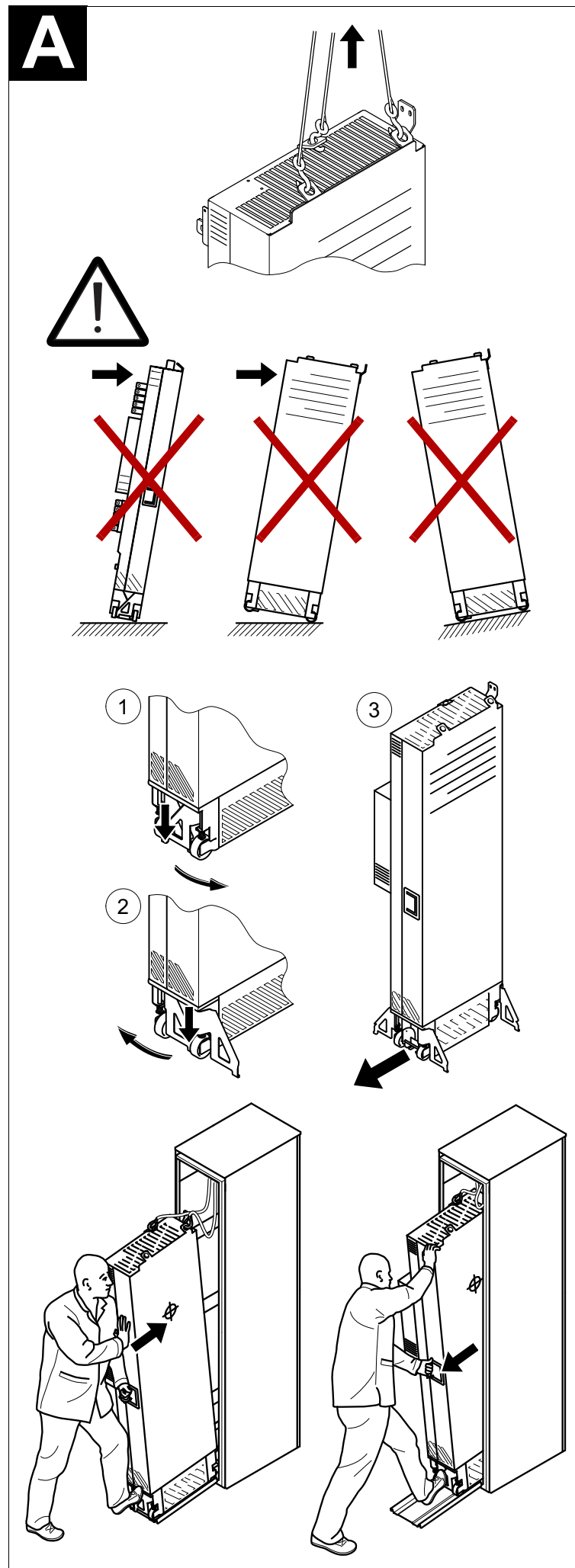
  
 Tuomo Tarula  
 Vice president, ABB Oy

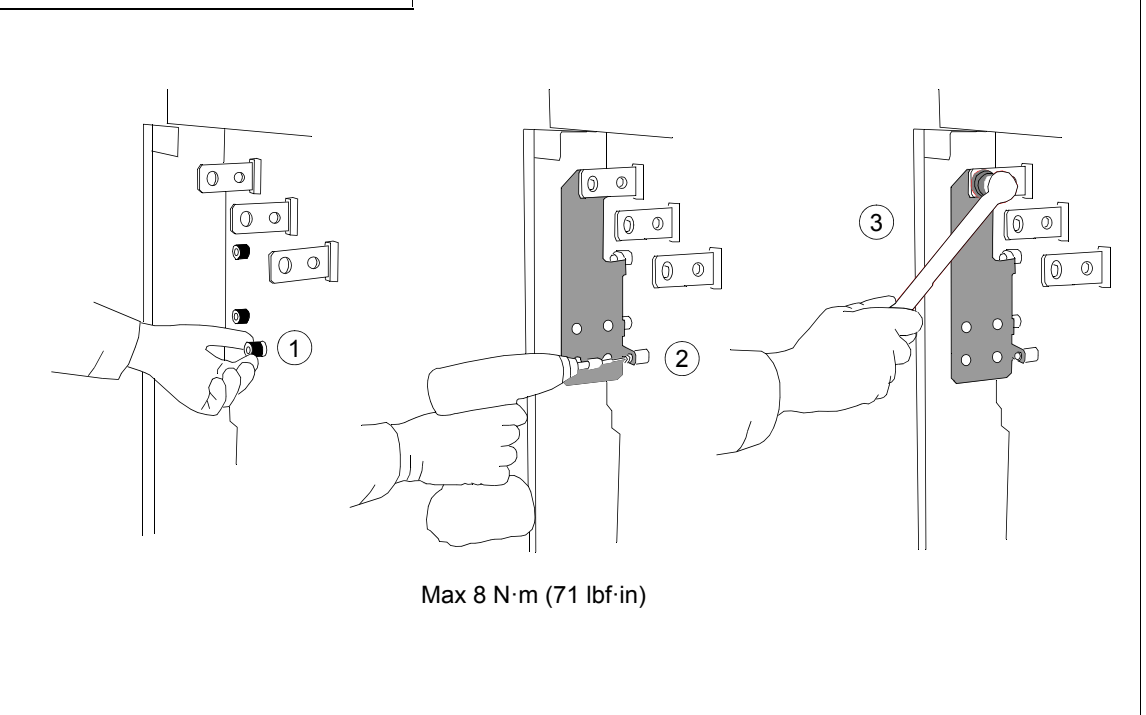
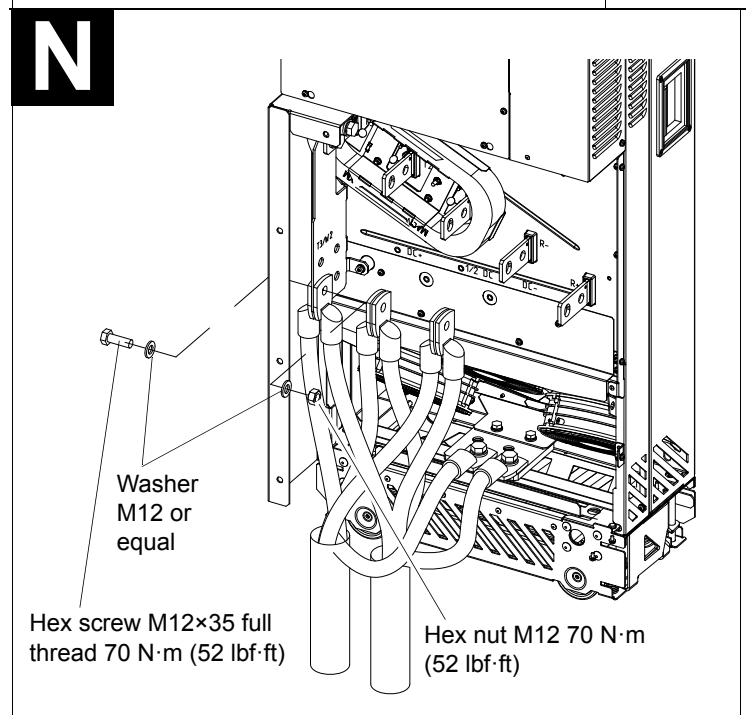
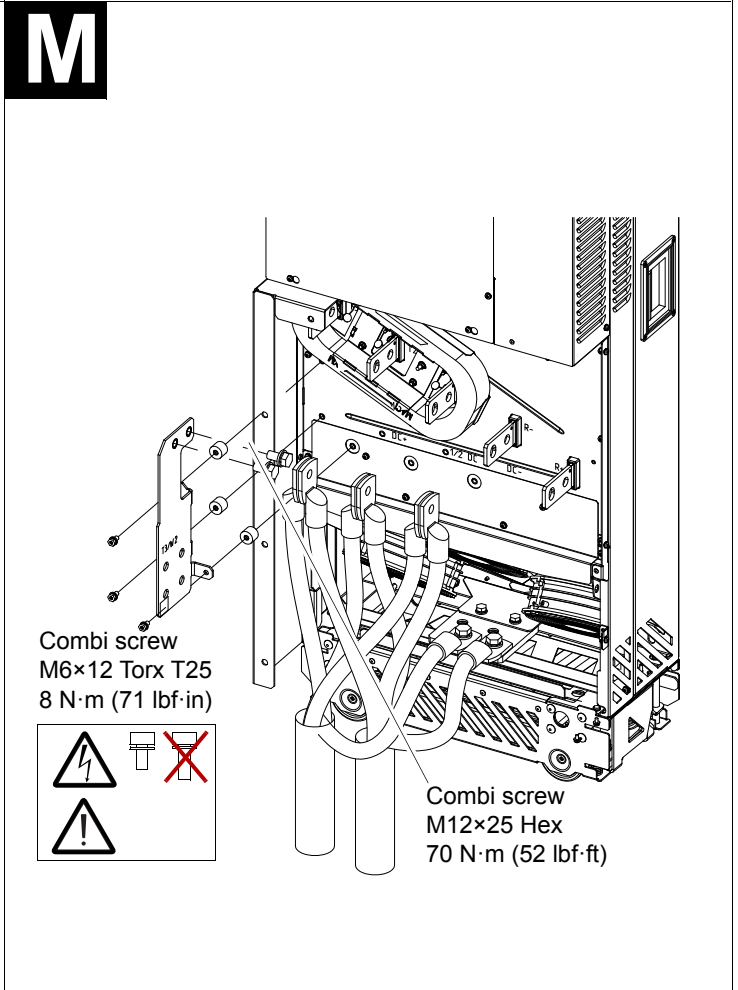
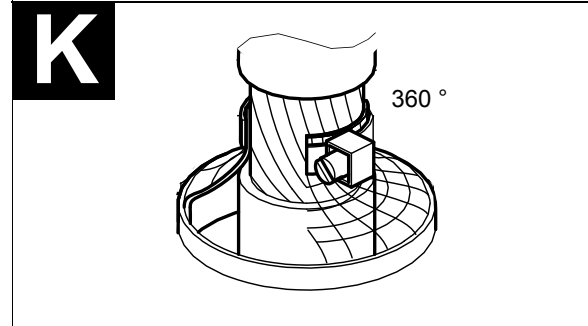
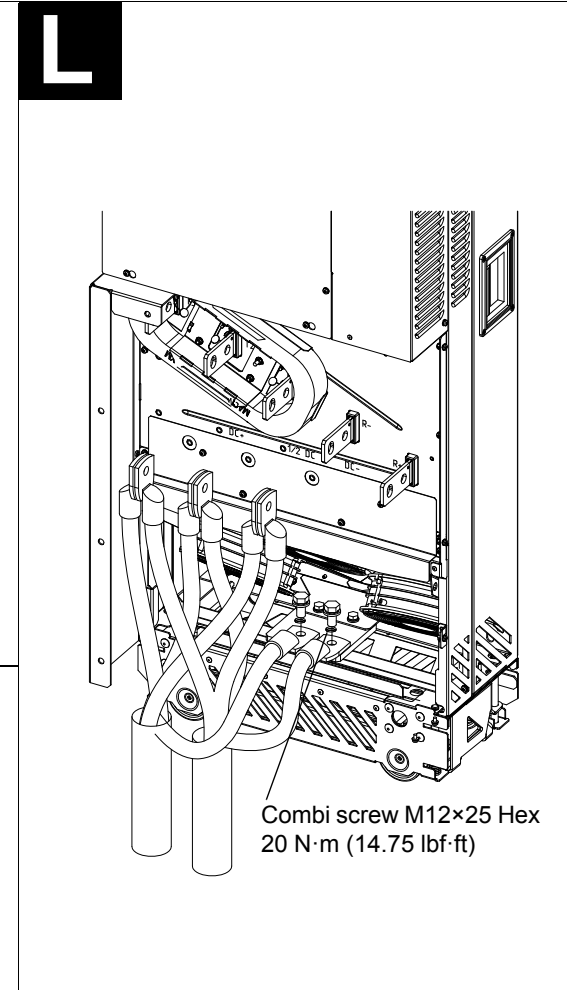
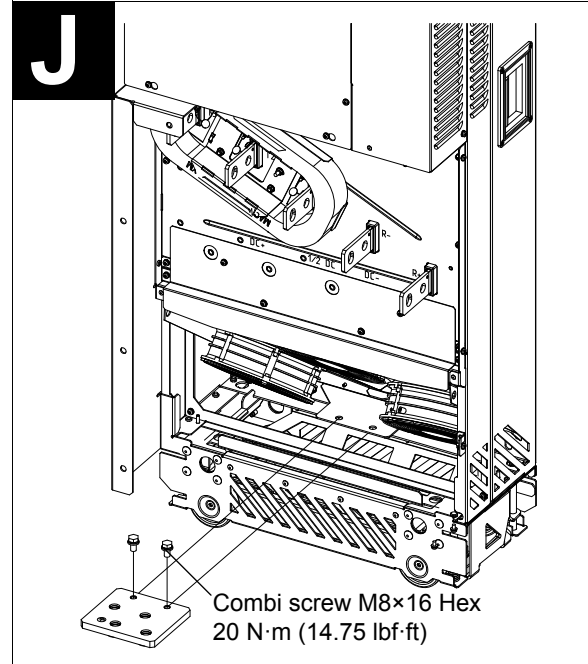
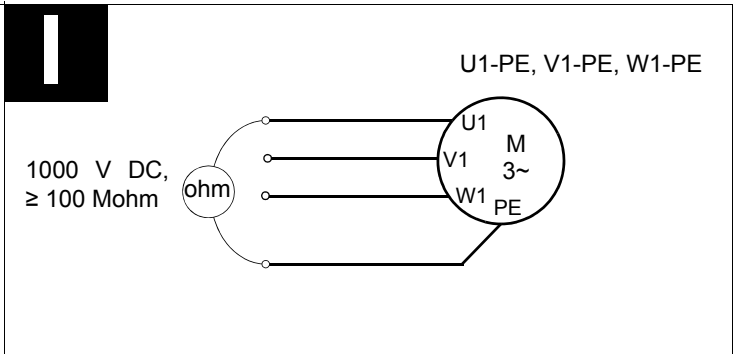
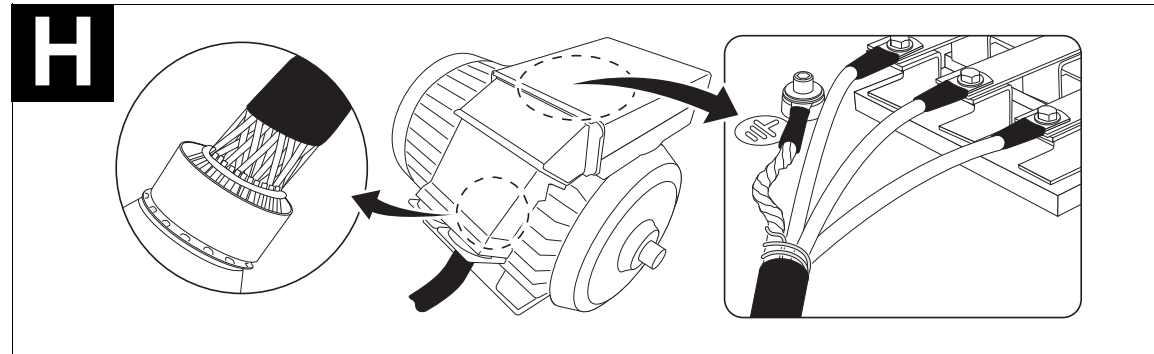
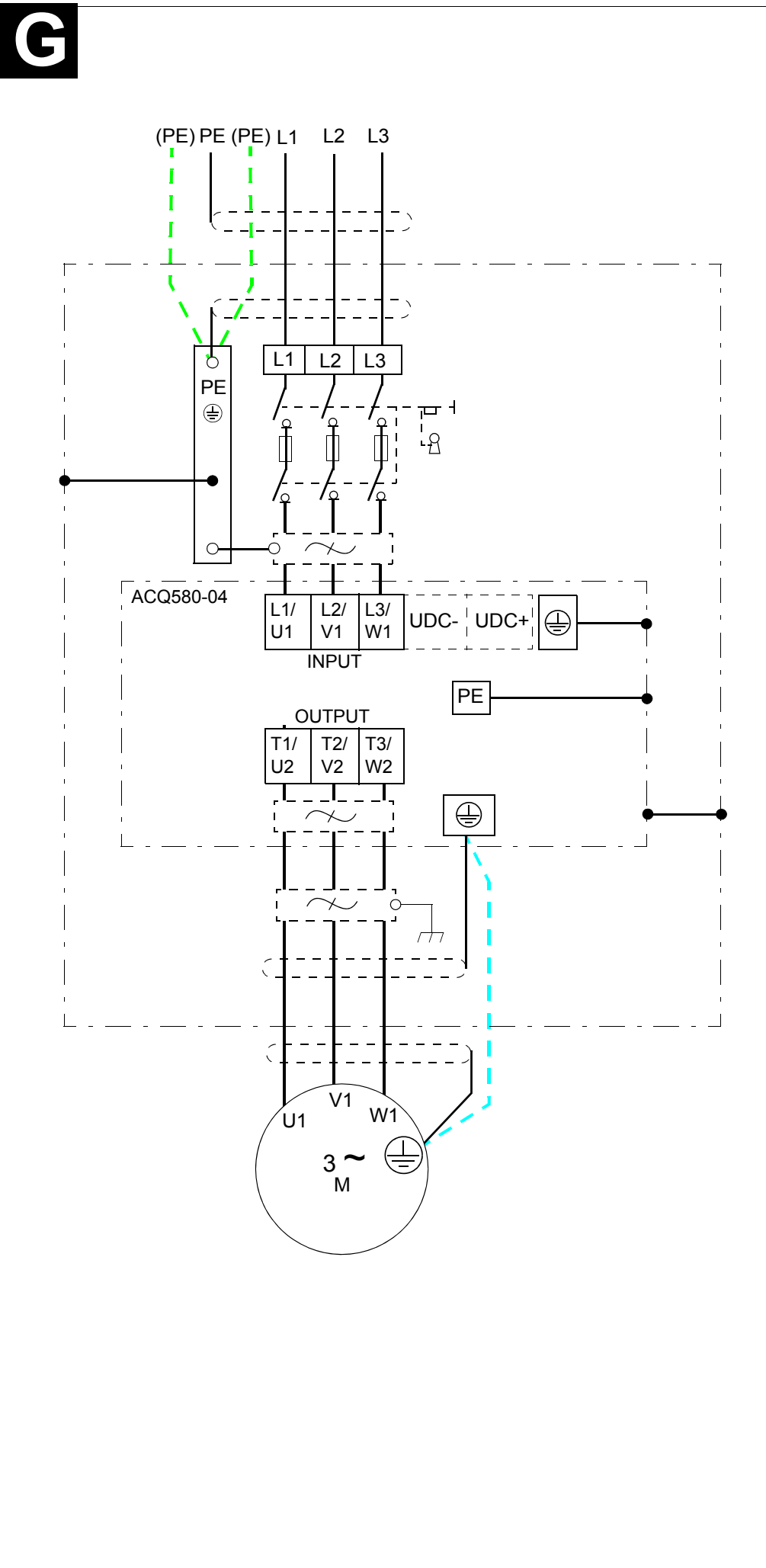
  
 Vesa Tuomainen  
 Product Engineering manager, ABB Oy

Document number 3AXD10000611400

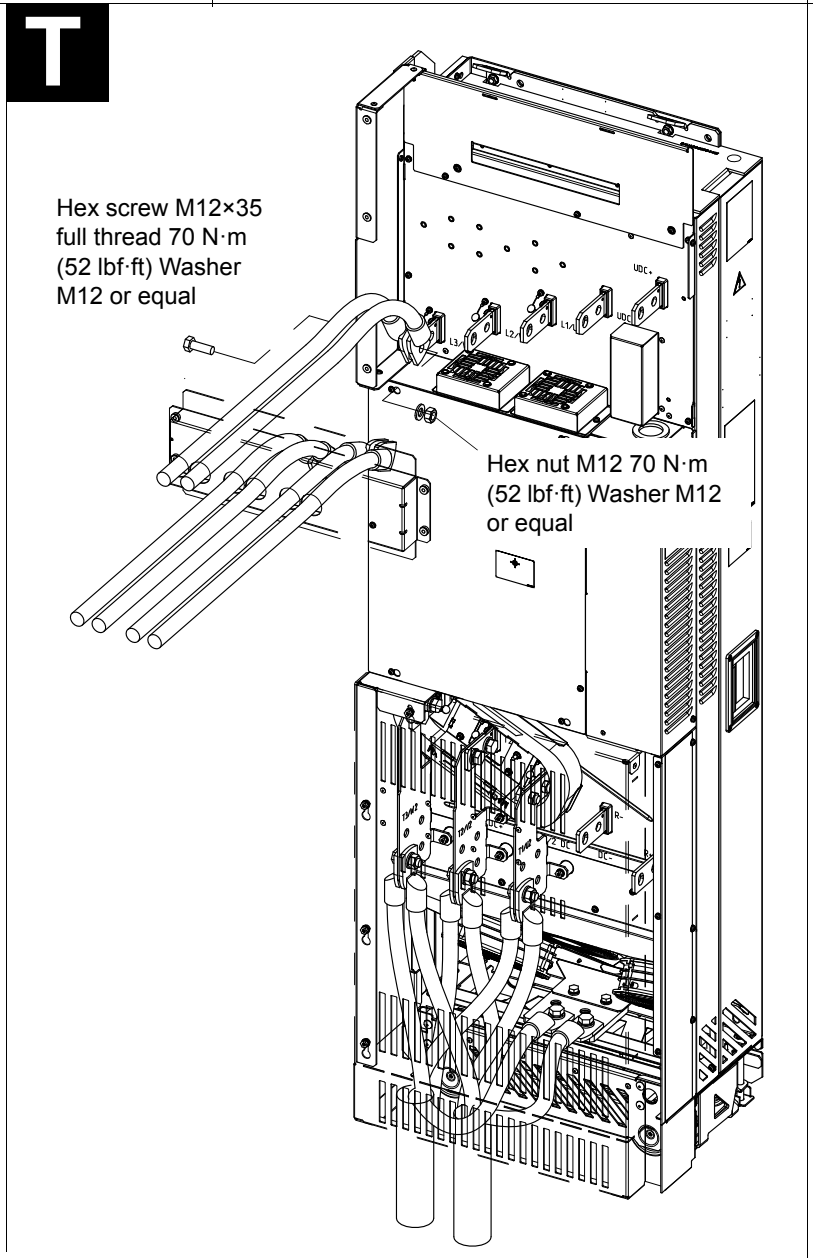
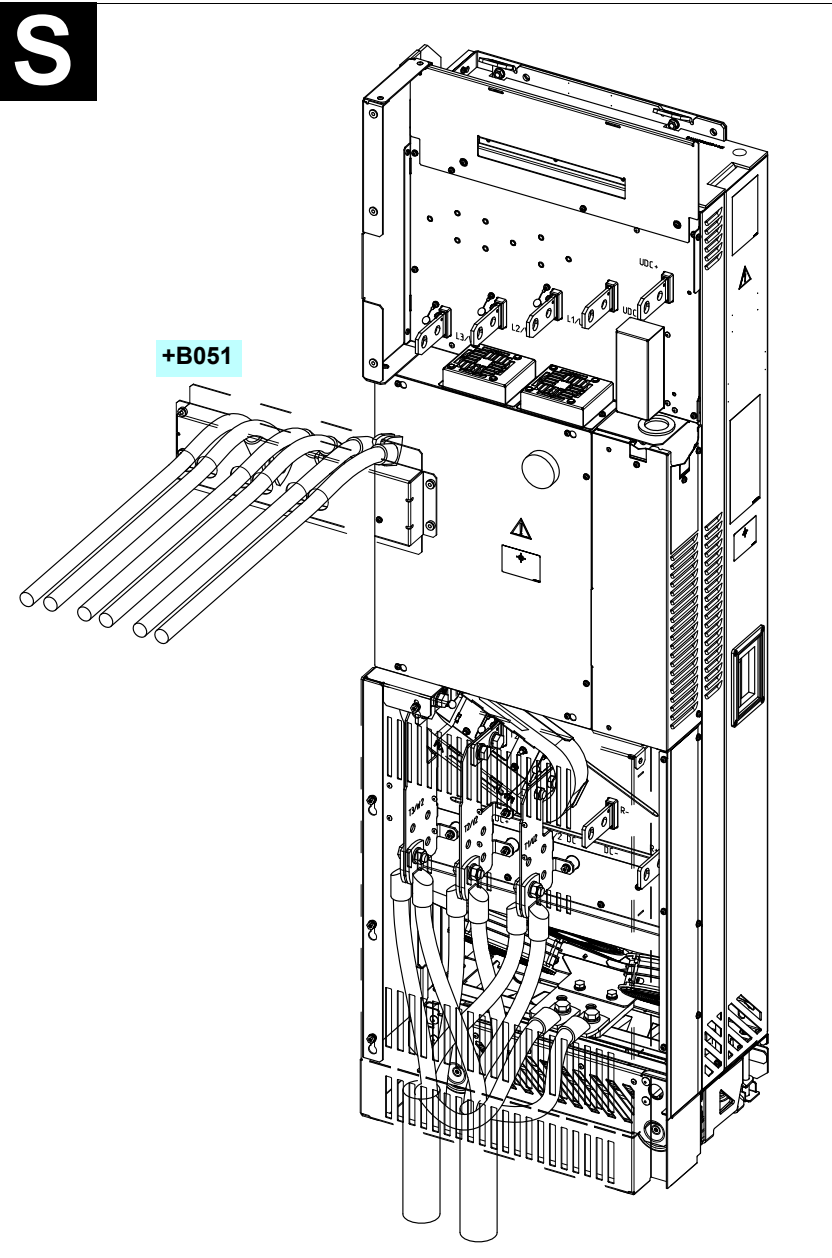
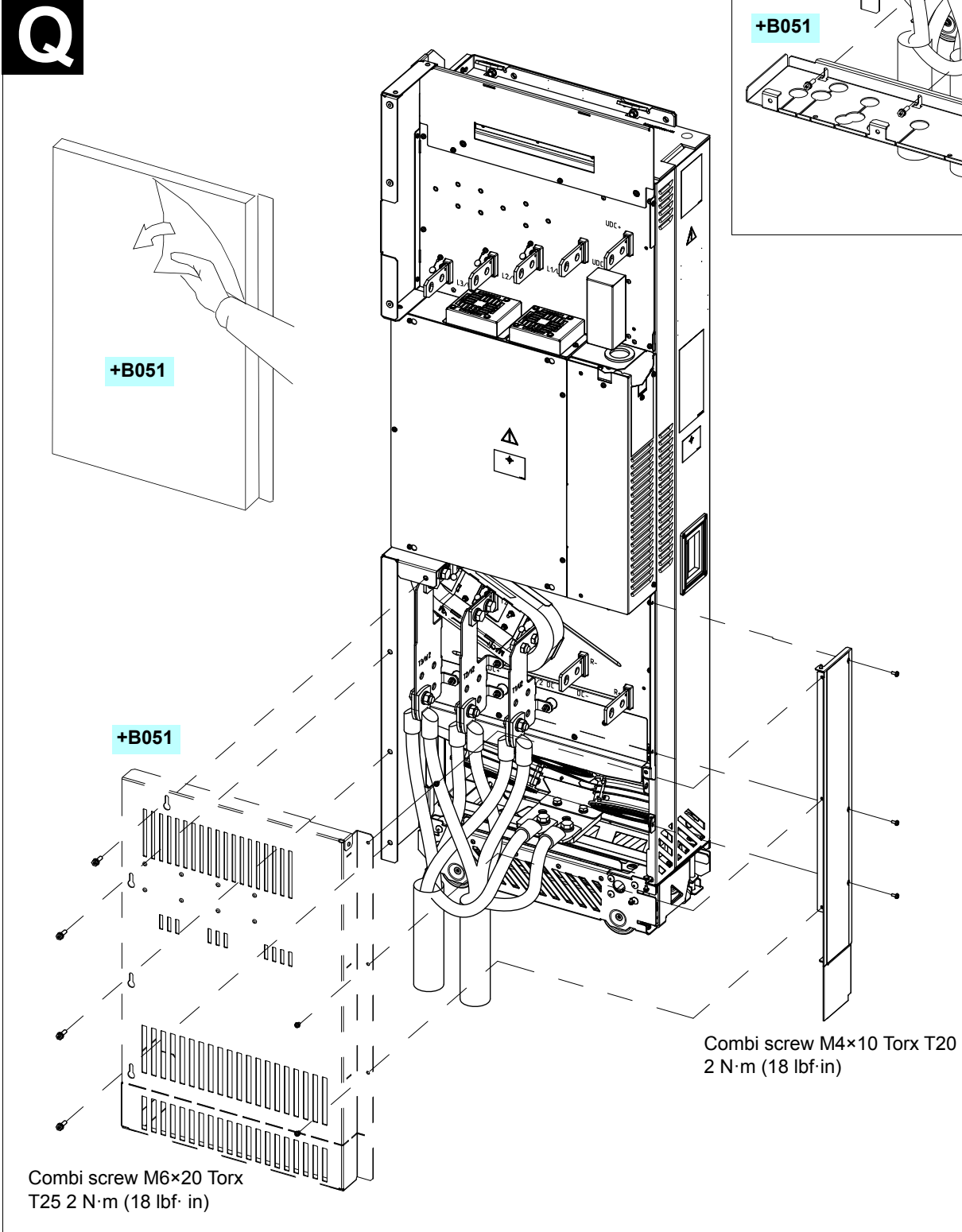
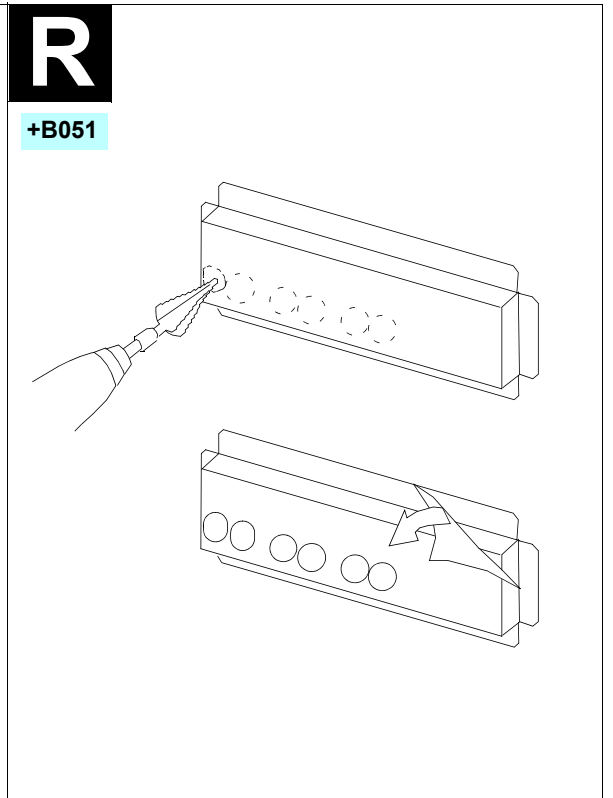
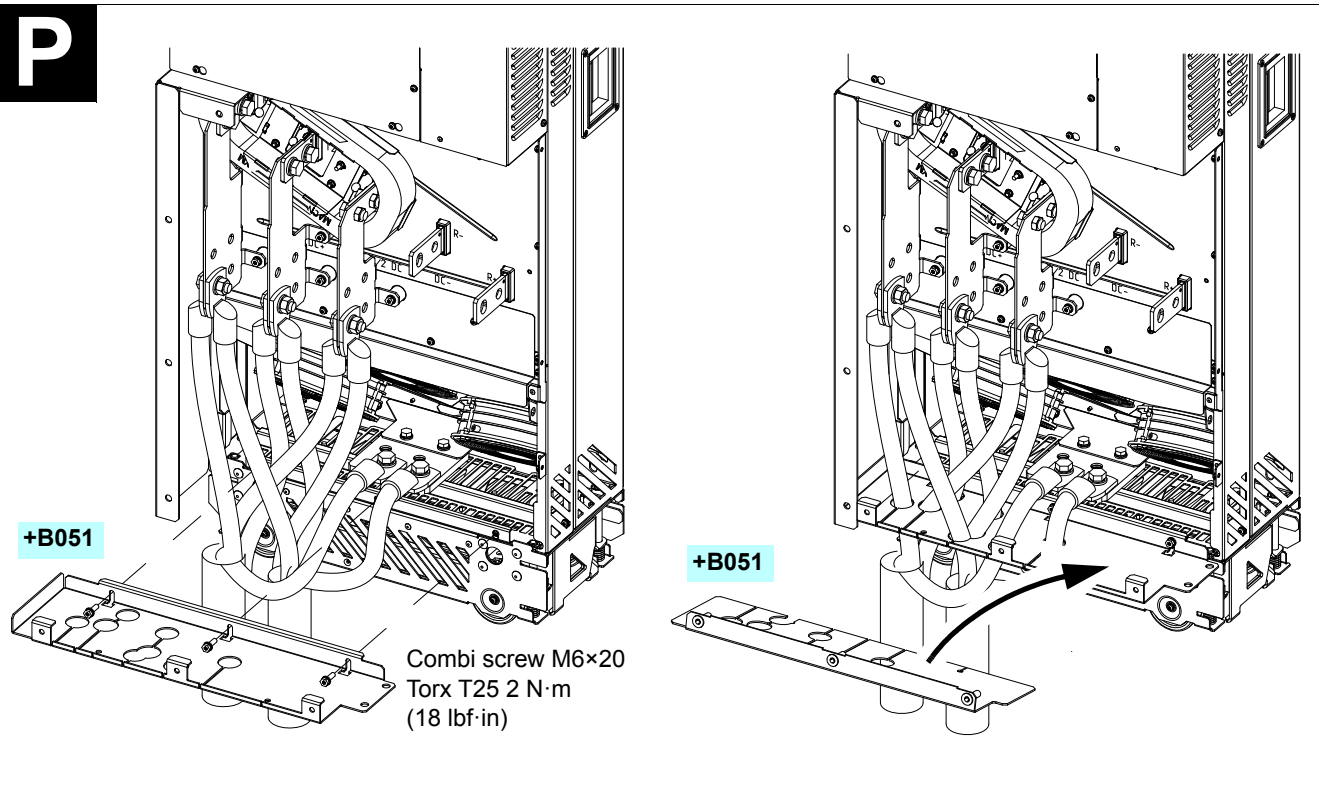
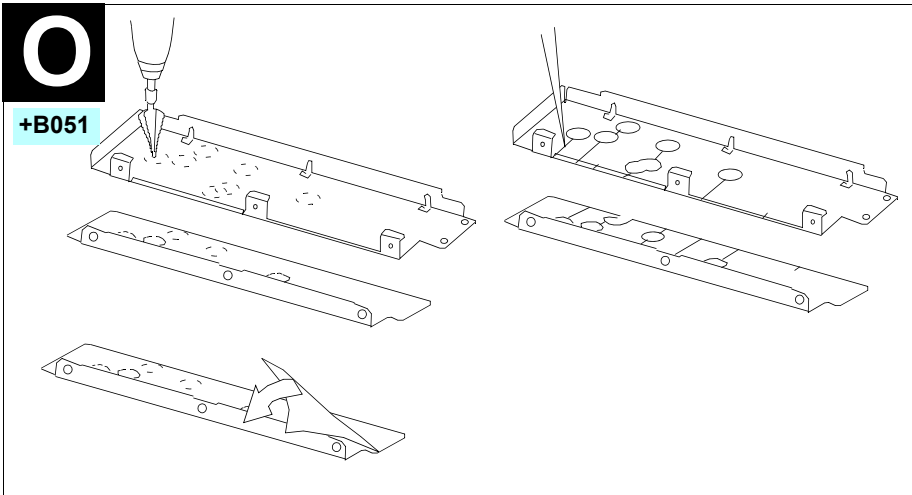
Page 1 of 1



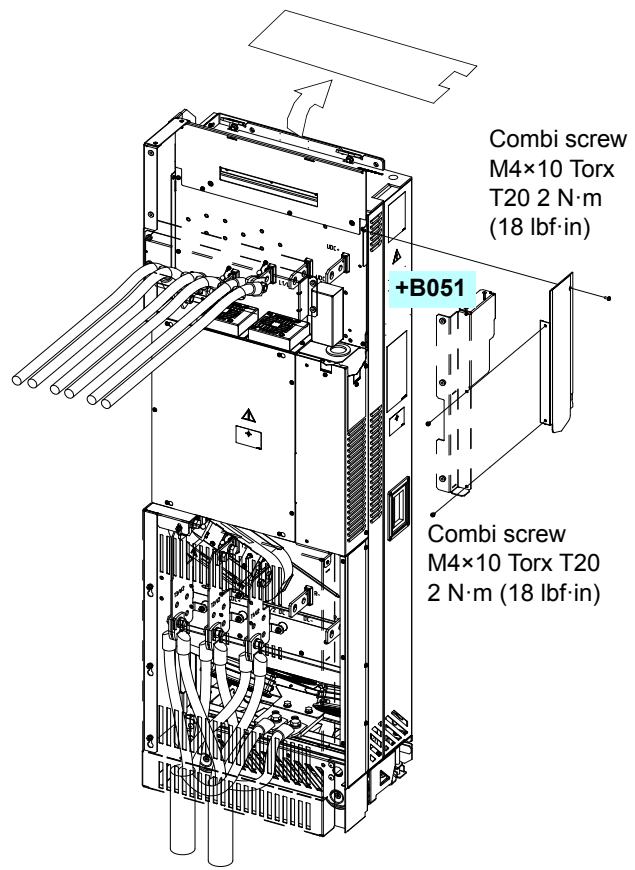




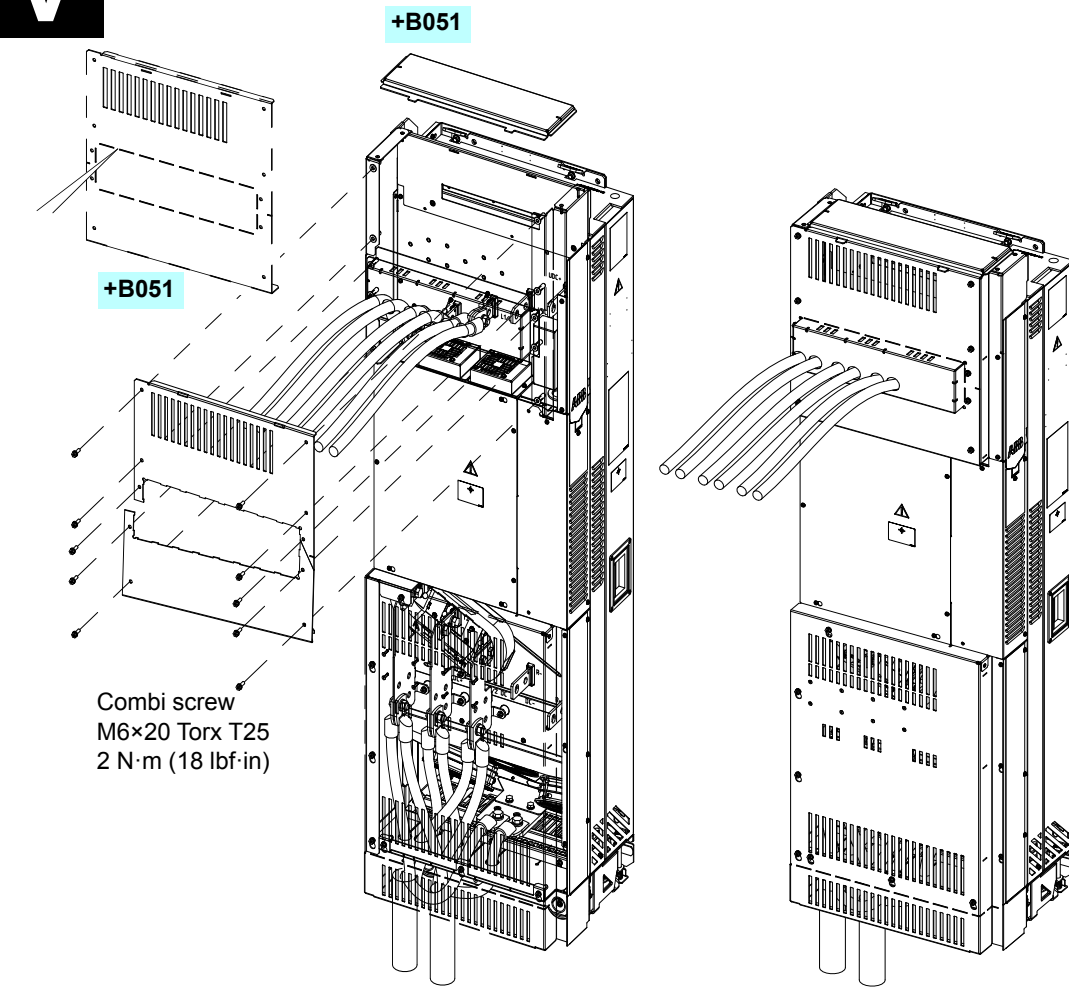




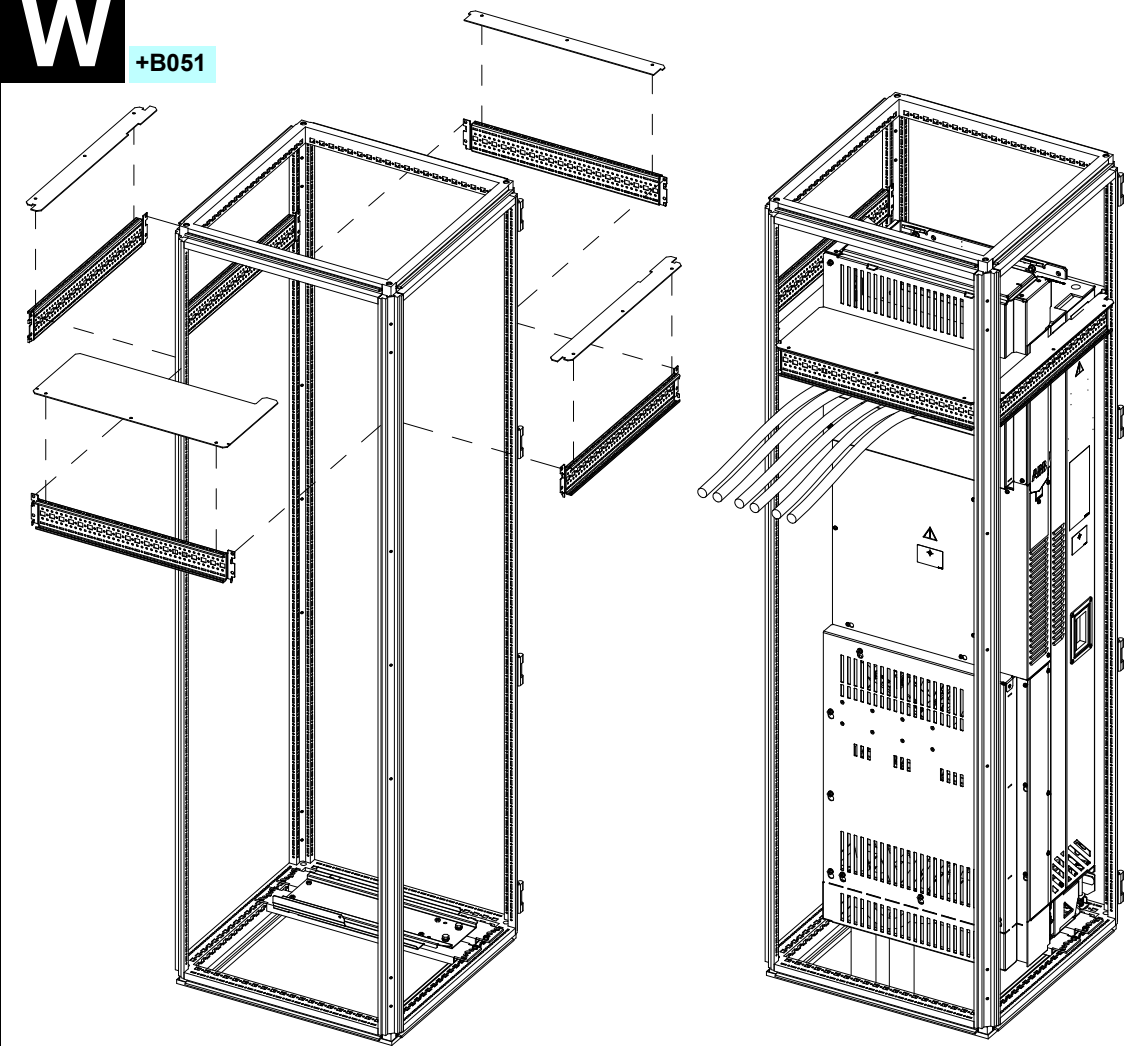
**U**



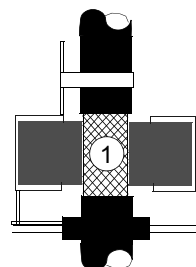
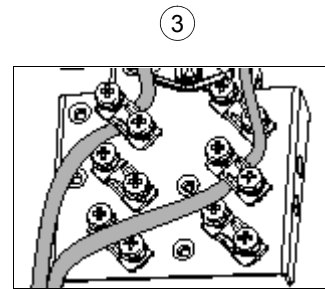
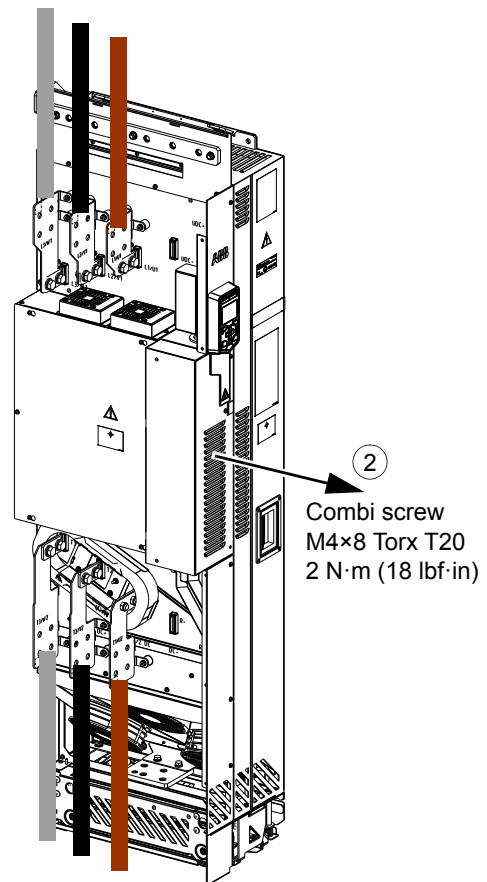
**V**



**W**



**X**



---

# Further information

## **Product and service inquiries**

Address any inquiries about the product to your local ABB representative, quoting the type designation and serial number of the unit in question. A listing of ABB sales, support and service contacts can be found by navigating to [abb.com/searchchannels](http://abb.com/searchchannels).

## **Product training**

For information on ABB product training, navigate to [new.abb.com/service/training](http://new.abb.com/service/training).

## **Providing feedback on ABB Drives manuals**

Your comments on our manuals are welcome. Navigate to [new.abb.com/drives/manuals-feedback-form](http://new.abb.com/drives/manuals-feedback-form).

## **Document library on the Internet**

You can find manuals and other product documents in PDF format on the Internet at [abb.com/drives/documents](http://abb.com/drives/documents).



[abb.com/drives](http://abb.com/drives)



3AXD50000048678B



[ACQ580-04 manuals](#)