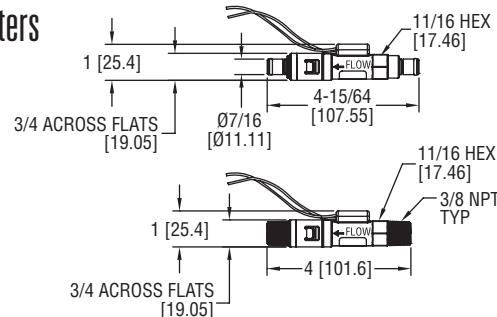
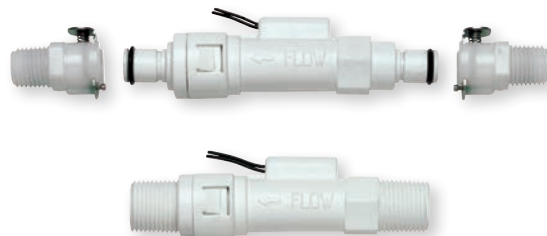


# POLYPROPYLENE FLOW SWITCH

Fixed Set Points from 0.25 to 2.0 GPM, 3/8" NPT or "Quick Disconnect" Adapters



The **SERIES P3** Flow Switches fit almost any piping requirements with compatible liquids. Choose the inlet and outlet port to be 3/8" male NPT or 1/4" male "Quick Disconnect" then select a quick disconnect acetal adapter for straight through flow or with a shut off valve.

## FEATURES/BENEFITS

- Piston design incorporates a hermetically sealed SPST magnetic reed switch
- Easy integration to existing piping with a variety of fitting options
- Selectable shut off valve will stop line flow when the adapter is removed from the switch
- Economical design

## APPLICATIONS

- Pure water equipment
- Filter life monitoring
- Heat exchangers
- Cooling applications

MODEL CHART		
Model	Connection	Actuation Set Point
<b>P3-31</b>	3/8" NPT	0.25 GPM (.95 LPM)
<b>P3-32</b>	3/8" NPT	0.50 GPM (1.89 LPM)
<b>P3-33</b>	3/8" NPT	1.0 GPM (3.79 LPM)
<b>P3-34</b>	3/8" NPT	1.5 GPM (5.68 LPM)
<b>P3-35</b>	3/8" NPT	2.0 GPM (7.57 LPM)
<b>P3-41</b>	Quick disconnect	0.25 GPM (.95 LPM)
<b>P3-42</b>	Quick disconnect	0.50 GPM (1.89 LPM)
<b>P3-43</b>	Quick disconnect	1.0 GPM (3.79 LPM)
<b>P3-44</b>	Quick disconnect	1.5 GPM (5.68 LPM)
<b>P3-45</b>	Quick disconnect	2.0 GPM (7.57 LPM)

## SPECIFICATIONS

**Service:** Compatible liquids.

**Wetted Materials:** Housing: Polypropylene; Piston: PPS composite; Spring: 316SS; O-ring: Fluorocarbon.

**Temperature Limits:** 0 to 212°F (-18 to 100°C).

**Pressure Limits:** 125 psig (8.6 bar) @ 70°F (21°C), 50 psig (3.4 bar) @ 212°F (100°C).

**Accuracy:** 20% of set point.

**Repeatability:** ±1%.

**Switch Type:** SPST, NO.

**Electrical Rating:** .08 A @ 120 VAC.

**Electrical Connection:** 24" (60.96 cm), polymeric wire leads, 22 AWG.

**Process Connection:** 3/8" male NPT or 1/4" quick disconnect.

**Mounting Orientation:** Any position. Set points shown are based on vertical, inlet down position.

**Required Filtration:** 100 microns or better.

**Weight:** 5 oz (0.14 kg).

**Agency Approvals:** CE.

## ADAPTERS

Model	Connection
<b>P3-801</b>	Quick disconnect straight through 1/4" NPT
<b>P3-802</b>	Quick disconnect straight through 1/4" BSPT
<b>P3-804</b>	Quick disconnect straight through 3/8" BSPT
<b>P3-807</b>	Quick disconnect straight through 1/4" ID tubing
<b>P3-901</b>	Quick disconnect straight through 1/4" NPT w/shut-off valve
<b>P3-902</b>	Quick disconnect straight through 1/4" BSPT w/shut-off valve
<b>P3-907</b>	Quick disconnect straight through 1/4" ID tubing w/shut-off valve