

# ATX™ MRE Series 16 and 32 Amp Multiple Socket Outlets

## Stationary and Portable. Increased Safety

**ATEX/IECEX:**  
**Zone 1 and 2 - 21 and 22**  
 Ⓢ II 2 GD  
 IP66 - IK10

### Applications

- Plugs and sockets are used with portable or stationary electrical equipment such as:
  - Lighting systems
  - Conveyors
  - Heaters
  - Motor generators
  - Air conditioning equipment
  - Compressors
  - Pumps
- For use in corrosive atmospheres and installations in Zone 1 and 2 and 21 and 22 of the oil and gas industry such as:
  - Refineries
  - Chemical plants
  - Petrochemical plants
  - Pipelines
  - Loading docks
  - Onshore and offshore drilling platforms

### Features

- Plug and socket assembly is equipped with a patented silver plated linear switch which allows a total disconnection of power when plug is removed.
- The high voltage contact separation is in a flameproof chamber.
- The automatic electrical disconnection of each phase is contained in a second flameproof chamber.
- Short circuit protection is 20 kA, while normal reference is 10 kA.
- Different voltages are color coded for easy identification.
- The sockets are keyed to accept only ATX plugs (other plugs can not be inserted).
- ATX plugs can be used in non-hazardous sockets.

### Standard Materials

- Housing: high impact resistance fiberglass reinforced polyester or 316L stainless steel
- Flush sockets: polyamide

### Options

- Customized multiple socket outlets.

### ATEX/IECEX Certifications and Compliances

- Certification Type PCX/EN (Flush Socket)
  - Gas: Zones 1 and 2
    - Conforming to ATEX 94/9/CE: Ⓢ II 2 G
    - Type of Protection: Ex de IIC
    - Temperature Class: T6 for  $T_a \leq +40\text{ °C}$  (+104 °F) and T5 for  $+55\text{ °C}$  (+131 °F)
  - Dust: Zones 21 and 22
    - Conforming to ATEX 94/9/CE: Ⓢ II 2 D
    - Type of Protection: Ex tD A21
    - Surface Temperature: T68 °C (T154 °F)
  - Service Temperature: -40 °C to +55 °C (+104 °F to +131 °F)
  - Impact Resistance (shock): IK09
  - Index of Protection according EN/IEC 60529: IP66
  - CE Declaration of Conformity: 5C214
  - ATEX Certificate: LCIE 02 ATEX 0001U
  - IECEX Certificate: IECEX LCI 07.0012U



Customized Version



Two Socket Outlet Version



Four Socket Outlet Version



Cable Reel

- Certification Type CSPe (Housing)
  - Gas: Zones 1 and 2
    - Conforming to ATEX 94/9/CE: Ⓢ II 2 G
    - Type of Protection: Ex e II
    - Temperature Class: T6
  - Dust: Zones 21 and 22
    - Conforming to ATEX 94/9/CE: Ⓢ II 2 D
    - Type of Protection: Ex tD A21
    - Surface Temperature: T75 °C (T167 °F)
  - Ambient Temperature: -55 °C to +60 °C (empty house)
  - Impact Resistance (shock): IK10
  - Index of Protection according EN/IEC 60529: IP66
  - CE Declaration of Conformity: 50284
  - ATEX Certificate: LCIE 09 ATEX 3032X
  - IECEX Certificate: IECEX LCI 09.0016X
- Certification Type CAe (Housing)
  - Gas: Zones 1 and 2
    - Conforming to ATEX 94/9/CE: Ⓢ II 2 G
    - Type of Protection: Ex e II
    - Temperature Class: T6 to T3
  - Dust: Zones 21 and 22
    - Conforming to ATEX 94/9/CE: Ⓢ II 2 D
    - Type of Protection: Ex tD A21
    - Surface Temperature: T80 °C to T95 °C (T176 °F to T203 °F)
  - Ambient Temperature: -40 °C to +55 °C (+104 °F to +131 °F) (empty house)
  - Impact Resistance (shock): IK10
  - Index of Protection according EN/IEC 60529: IP66
  - CE Declaration of Conformity: 50235
  - ATEX Certificate: LCIE 02 ATEX 6248X
  - IECEX Certificate: IECEX LCI 04.0016

PLUS AND RECEPTACLES: ATEX/IECEX INCREASED SAFETY

Appleton

Note: The ambient temperature for complete assembly is determined by all of the components used.

# ATX™ MRE Series 16 and 32 Amp Multiple Socket Outlets

## Stationary and Portable. Increased Safety

ATEX/IECEX:  
Zone 1 and 2 - 21 and 22  
II 2 GD  
IP66 - IK10

- Certification Type JBe (Housing)
  - Gas: Zones 1 and 2
    - Conforming to ATEX 94/9/CE: II 2 G
    - Type of Protection: Ex e II
    - Temperature Class: T6 to T2
  - Dust Zones 21 and 22
    - Conforming to ATEX 94/9/CE: II 2 D
    - Type of Protection: Ex tD A21
    - Surface Temperature: T80 °C to T290 °C (T176 °F to T554 °F)
  - Ambient Temperature: -50 °C to +70 °C (-58 °F to +158 °F) (empty house)
  - Impact Resistance (shock): IK10
  - Index of Protection according EN/IEC 60529: IP66
  - CE Declaration of Conformity: 50232
  - ATEX Certificate: LCIE 02 ATEX 6118X
  - IECEx Certificate: IECEx LCI 11.0008X

### EURASEC Certification

- Certification Type (Flush Socket) PCX/EN
  - EURASEC N° TC RU C-FR.Г505.B.00910
- Certification Type (Housing) CSPe
  - EURASEC N° TC RU C-FR.Г505.B.00911
- Certification Type (Housing) CAe
  - EURASEC N° TC RU C-FR.Г505.B.00911
- Certification Type (Housing) JBe
  - EURASEC N° TC RU C-FR.Г505.B.00911

### Other Certification

- Certification Type (Flush Socket) PCX/EN
  - INMETRO Certificate: BR230598-U ①
- Certification Type (Housing) CSPe
  - INMETRO Certificate: BR230637-X ①
- Certification Type (Housing) CAe
  - INMETRO Certificate: BR230421-X ①
- Certification Type (Housing) JBe
  - INMETRO Certificate: BR230418-X ①

PLUGS AND RECEPTACLES: ATEX/IECEX INCREASED SAFETY

Appleton®

Note: The ambient temperature for complete assembly is determined by all of the components used.  
① INMETRO certification available on special request only. Contact your local sales representative for more information.

# ATX™ MRE Series 16 and 32 Amp Multiple Socket Outlets

## Stationary and Portable. Increased Safety

ATEX/IECEX:  
 Zone 1 and 2 - 21 and 22  
 II 2 GD  
 IP66 - IK10

### Catalog Numbering Guide – IECEx Internationally Certified Plugs and Receptacles

MRE	P	1	2	16	P	T0	K	#
IECEX Series: MRE - MRE Series Zone 1, 2, 21 and 22 ATEX / IECEx Certified	Enclosure Material: P - Polyester S - 316L Stainless Steel	Socket Outlets Quantity: 0 1 2 3 4 5 6 7 8	Pin Configuration: 2 - 2P 3 - 2P+E 6 - 3P 4 - 3P+E 5 - 3P+N+E F - Drilling for Socket 2P-3P-2P+E 16A G - Drilling for Socket 3P+E - 3P+N+E 16A J - Drilling for Socket 3P+E - 3P+N+E 32A	Amps: 16 - 16 A 32 - 32 A	Voltage: P - 20-25 Vac 50/60 Hz Y - 100-130 Vac 50/60 Hz B - 200-250 Vac 50/60 Hz R - 380-415 Vac 50/60 Hz	Transformer Power: T0 - None T1 - 100 VA T2 - 160 VA T3 - 250 VA T4 - 400 VA	Primary/ Secondary Voltage: K - 230-400 V / 24 V L - 240-415 V / 24 V M - 230-400 V / 110 V	Options: <i>Options must be listed alphabetically</i> H - Portable Unit with Handle: Only available with SS 316L enclosure # - Customized Multiple Socket 6 digit number will be assigned at time of order placement.

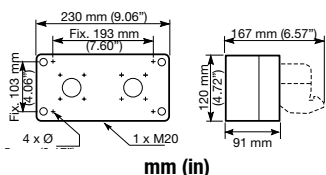
PLUS AND RECEPTACLES: ATEX/IECEX INCREASED SAFETY

Description	Type	Weight kg (lb)	Volume dm <sup>3</sup> (in <sup>3</sup> )	Catalog Number	Pack
-------------	------	-------------------	--	----------------	------

#### Pre-drilled Multiple Sockets in Polyester for 2 Flush Sockets 16 A – Ex de IIC T5 -40 °C to +55 °C (-40 °F to +131 °F)

Supplied with: 1 x Terminal block 2P+E 6 mm<sup>2</sup> (0,009 in<sup>2</sup>); 1 x M20 plastic cable gland for unarmored cable – sealing diameter 6.5 to 14.5 mm (0.26 to 0.57 in).

Layout 1



Pre-drilled enclosure for 2 flush sockets (not supplied)  
 PRE Series 2P or 2P+E – 16A

CSPe3	1.3 (2.87)	7 (427)	<b>MREP2F</b>	1
PCX/EN				



# ATX™ MRE Series 16 and 32 Amp Multiple Socket Outlets

## Stationary and Portable. Increased Safety

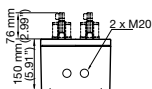
ATEX/IECEX:  
 Zone 1 and 2 - 21 and 22  
 II 2 GD  
 IP66 - IK10

Description	Type	Weight kg (lb)	Volume dm <sup>3</sup> (in <sup>3</sup> )	Catalog Number
-------------	------	-------------------	--	----------------

### Pre-drilled Multiple Sockets in Polyester for 4 Flush Sockets 16A – Ex de IIC T5 -40 °C to +55 °C (-40 °F to +131 °F)

Supplied with: 1 x Distribution block 4 poles 12 x 4 mm (0.47 x 0.16 in) with cable clamps – 2 x 10 mm<sup>2</sup> (0.003 x 0.016 in<sup>2</sup>) max.; 1 x M20 plastic cable gland for unarmored cable – sealing diameter 6.5 to 14.5 mm (0.26 to 0.57 in); 1 x M20 plastic blanking plug.

#### Layout 2



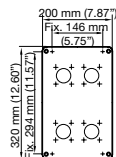
Pre-drilled enclosure for 4 flush sockets (not supplied)  
 PRE Series 2P or 2P+E – 16A

CAe2  
 PCX/EN

4 (8.82)

15 (915)

**MREP4F**



Pre-drilled enclosure for 4 flush sockets (not supplied)  
 PRE Series 3P+E or 3P+N+E – 16A

CAe2  
 PCX/EN

4 (8.82)

15 (915)

**MREP4G**



Mounting adaptor to install 2P or 2P+E – 16A flush sockets with pre-drilled enclosure MREP4G

–

0.1 (0.22)

0.7 (43)

**096496**



Blanking plate to install Unicode2 Series component diameter 30 mm (Push button, Pilot light or blanking plug) on 096496

–

0.1 (0.22)

0.7 (43)

**097494**



Blanking plug diameter 30 mm

–

0.1 (0.22)

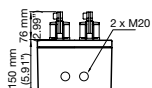
0.18 (11)

**UBP**

### Combined Units in Polyester with 4 Flush Sockets 16A – Ex de IIC T5 -40 °C to +55 °C (-40 °F to +131 °F)

Supplied with: 1 x Distribution block 4 poles 12 x 4 mm (0.47 x 0.16 in) with cable clamps – 2 x 10 mm<sup>2</sup> (0.003 x 0.016 in<sup>2</sup>) max.; 1 x M20 plastic cable gland for unarmored cable – sealing diameter 6.5 to 14.5 mm (0.26 to 0.57 in); 1 x M20 plastic blanking plug.

#### Layout 3



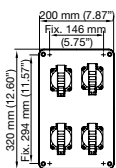
4 flush sockets 2P+E 16 A 20/25 Vac

CAe2  
 PCX/EN

5 (11.02)

25 (1526)

**MREP4316P**



4 flush sockets 2P+E 16 A 200/250 Vac

CAe2  
 PCX/EN

5 (11.02)

25 (1526)

**MREP4316B**

PLUGS AND RECEPTACLES: ATEX/IECEX INCREASED SAFETY

Appleton

# ATX™ MRE Series 16 and 32 Amp Multiple Socket Outlets

## Stationary and Portable. Increased Safety

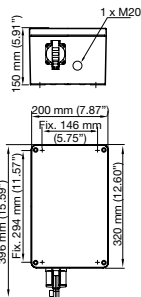
ATEX/IECEX:  
 Zone 1 and 2 - 21 and 22  
 II 2 GD  
 IP66 - IK10

Description	Type	Weight kg (lb)	Volume dm <sup>3</sup> (in <sup>3</sup> )	Catalog Number
-------------	------	-------------------	--	----------------

### Combined Units in Polyester with 1 Flush Socket 16 A – Ex de IIC T3 -40 °C to +55 °C (-40 °F to +131 °F)

Supplied with: 1 x Transformer 230-400 V / 24 V 250 VA; 2 x Fuse carriers 14 x 51 for primary protection; 2 x Fuse carriers 14 x 51 for secondary protection; 1 x Flush socket 2P+E 16 A 24 Vac (PRE316FP); 1 x M20 plastic cable gland for unarmored cable – sealing diameter 6.5 to 14.5 mm (0.26 to 0.57 in).

Layout 4



1 flush socket 2P+E 16 A 20/25  
 Vac and transformer 230-400 V/24  
 V 250 VA

CAe2  
 PCX/EN

12 (26.46)

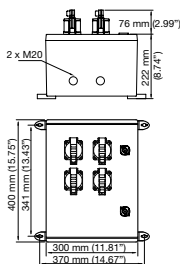
25 (1526)

**MREP1316PT3K**

### Combined Units in Polyester with 4 Flush Sockets 16 A – Ex de IIC T3 -40 °C to +55 °C (-40 °F to +131 °F)

Supplied with: 1 x Transformer 230-400 V / 24 V 400 VA ;2 x Fuse carriers 14 x 51 for primary protection; 2 x Fuse carriers 14 x 51 for secondary protection; 4 x Flush sockets 2P+E 16 A 24 Vac (PRE316FP); 1 x M20 plastic cable gland for unarmored cable – sealing diameter 6.5 to 14.5 mm (0.26 to 0.57 in); 1 x M20 plastic blanking plug.

Layout 5



4 flush sockets 2P+E 16 A 20/25  
 Vac and transformer 230-400 V/24  
 V 400 VA

CAe6  
 PCX/EN

15 (33.07)

36 (2197)

**MREP4316PT4K**

PLUS AND RECEPTACLES: ATEX/IECEX INCREASED SAFETY



# ATX™ MRE Series 16 and 32 Amp Multiple Socket Outlets

Stationary and Portable. Increased Safety

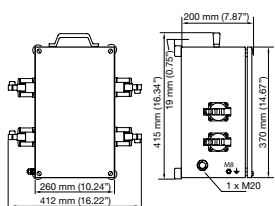
ATEX/IECEX:  
 Zone 1 and 2 - 21 and 22  
 II 2 GD  
 IP66 - IK10

Description	Type	Weight kg (lb)	Volume dm <sup>3</sup> (in <sup>3</sup> )	Catalog Number
-------------	------	-------------------	--	----------------

**Portable Combined Units in 316L Stainless Steel with 4 Flush Sockets 16 A — Ex de IIC T3 -40 °C to +55 °C (-40 °F to +131 °F)**

Supplied with: 1 x Transformer; 2 x Fuse carriers 14 x 51 for primary protection; 2 x Fuse carriers 14 x 51 for secondary protection; 4 x Flush sockets 2P+E 16 A 24 V (PRE316FP); 1 x M20 cable gland for unarmored cable – sealing diameter 6.5 to 14.5 mm (0.26 to 0.57 in).

Layout 6 mm (in)



250 VA Portable Unit:

Ex de IIC T3 -40 °C to +55 °C (-40 °F to +131 °F)  
 4 flush sockets 2P+E 16 A  
 20/25 Vac and transformer  
 230-400 V / 24 V 250 VA

JBe47

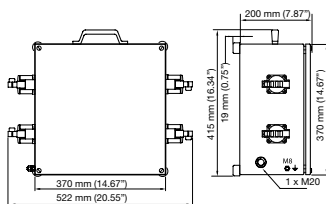
19 (41.89)

30 (1831)

**MRES4316PT3KH**

PCX/EN

Layout 7 mm (in)



400 VA Portable Unit:

Ex de IIC T2 -40 °C to +55 °C (-40 °F to +131 °F) or  
 Ex de IIC T3 -40 °C to +40 °C (-40 °F to +104 °F) 4 flush  
 sockets 2P+E 16 A 20/25  
 Vac and transformer 230-400  
 V/24 V 400 VA

JBe55

23 (50.71)

42 (2563)

**MRES4316PT4KH**

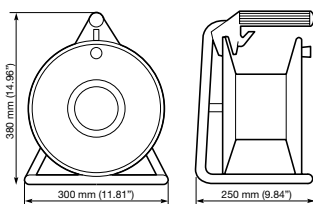
PCX/EN

PLUGS AND RECEPTACLES: ATEX/IECEX INCREASED SAFETY

## Cable Reel

Polyamide reel: Reel capacity: 40 meters (131 ft) of 3 x 2.5 mm<sup>2</sup> (0.005 x 0.004 in<sup>2</sup>) flexible cable; Handle with drum brake

Layout 8 mm (in)



Cable reel

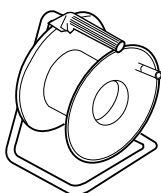
2.5 (5.51)

32 (1953)

**097499**

Cable reel is used for carrying and storing of the electrical lead.  
 The electrical lead must be completely removed from the cable reel before use.

Cable Reel



Electrical lead — not supplied



Mobile Socket

Plug

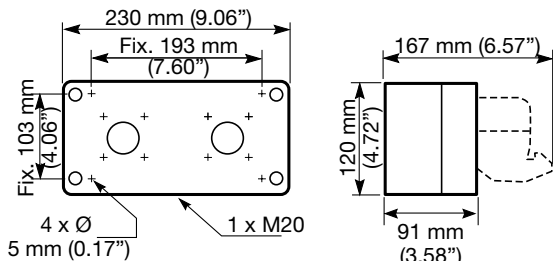
# ATX™ MRE Series 16 and 32 Amp Multiple Socket Outlet

## Stationary and Portable. Increased Safety

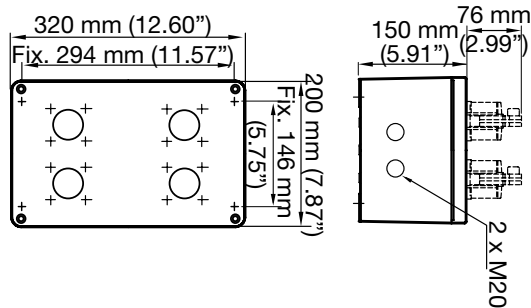
ATEX/IECEX:  
 Zone 1 and 2 - 21 and 22  
 II 2 GD  
 IP66 - IK10

### Polyester Enclosure Dimensions in Millimeters (Inches)

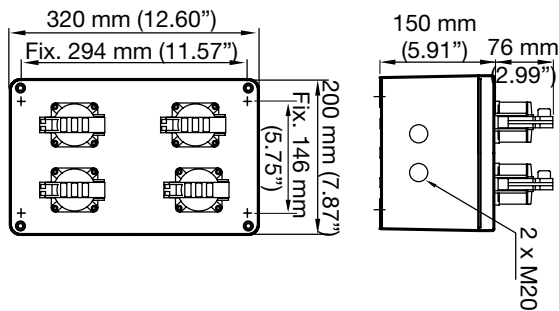
Layout 1



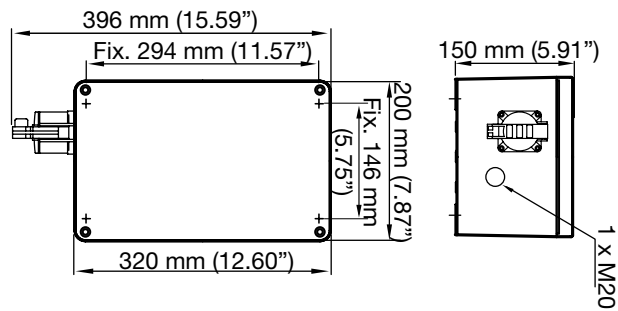
Layout 2  
 (Flush Sockets Not Supplied)



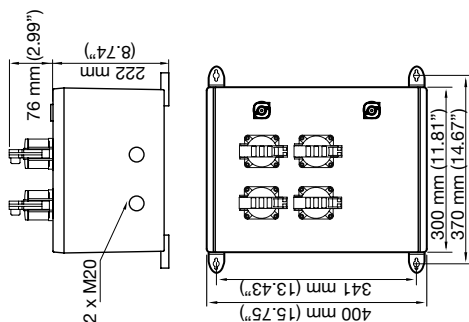
Layout 3



Layout 4



Layout 5



PLUS AND RECEPTACLES: ATEX/IECEX INCREASED SAFETY

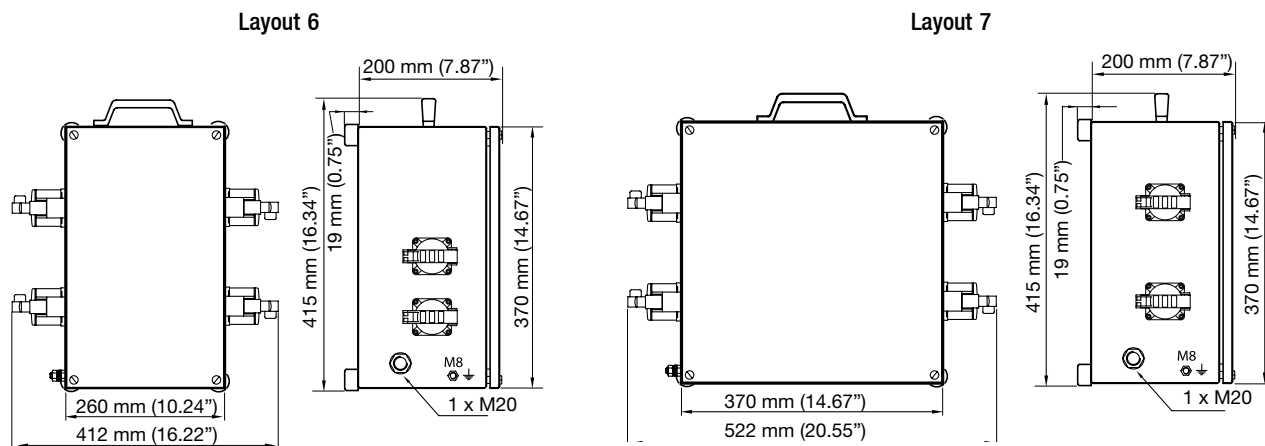


# ATX™ MRE Series 16 and 32 Amp Multiple Socket Outlet

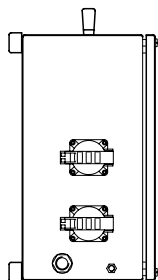
## Stationary and Portable. Increased Safety

ATEX/IECEX:  
 Zone 1 and 2 - 21 and 22  
 II 2 GD  
 IP66 - IK10

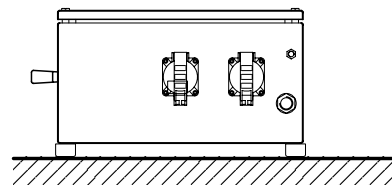
### 316L Stainless Steel Enclosure Dimensions in Millimeters (Inches)



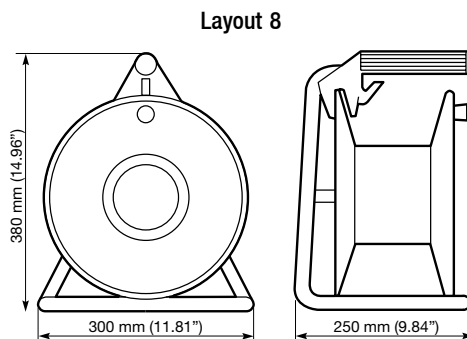
Position for Transportation



Position for Use



### Cable Reel Dimensions in Millimeters (Inches)



PLUGS AND RECEPTACLES: ATEX/IECEX INCREASED SAFETY

