
ABB MEASUREMENT & ANALYTICS | DATA SHEET

RHDE1250 / RHDE2500 (Contrac)

Electrical rotary actuator



For continuous control mode in explosion-proof design, nominal torque 1250 / 2500 Nm (925 / 1850 lbf ft)

Explosion protection acc. to ATEX

Electrical actuator for continuous positioning, three-point position control, or bus control

Stall-proof without the need for position- or torque-dependent shut-off

Three-phase asynchronous motor, flameproof enclosure

Connection spaces with increased safety

Highly efficient and sturdy gear unit

Control via separate, processor-controlled electronic unit

Power supply 115 V AC oder 230 V AC via electronic unit only

Brief description

Compact actuator for the operation of final control elements with rotary movement such as valve flaps, ball valves, etc. The torque is transferred via a lever-type actuator or the actuator is directly coupled to the shaft of the final control element. The actuator is controlled using a Contrac electronic unit. This electronic unit serves as the interface between the actuator and the control system.

During continuous positioning, the electronic unit varies the motor torque steplessly until the actuator force and the control valve force are balanced. High response sensitivity and high positioning accuracy with short positioning time ensure an excellent control quality and a long actuator life.

Operating principles

The actuator continuously responds to a set point signal. The motor is permanently under voltage (operating mode S9 - 100 % stall-proof according to IEC 60034-1 / EN 60034-1) and gently increases or reduces the torque on the electronic unit in proportion to the ΔY signal (the difference between the Y set point and the Y position signal).

The actuator is not subject to temperature derating, i.e., there are no restrictions, even at the maximum permissible ambient temperature. Where a state of balance exists, the actuator force and process force are equivalent and the actuator keeps the final control element in the required position.

The classification of the 'S9 - 100 % overload protected' Contrac actuator in accordance with IEC 60034-1 / EN 60034-1 by far exceeds the requirements for the highest class, 'continuous modulation, class D' in accordance with EN 15714-2.

The Contrac actuator offers extensive process optimization capabilities thanks to its high-precision and highly dynamic operation.

Rotary actuators

Rotary actuators are available for nominal actuator torque from 50 to 16000 Nm (40 to 12000 lbf-ft) and feature a common design principle. A motor drives a low-friction, oil-lubricated spur gearing. At the end of this gearing, a lever mounted on the output drive shaft transmits torque to the final control element via a connecting rod. Since the position sensor is mounted directly on the rear end of the output drive shaft, position feedback is provided without any backlash. This design principle in conjunction with the 3-phase asynchronous motor serves as the basis for the continuous operation mode of the actuator.

Mechanical limit stops, provided on the outside of the gear case, can be adjusted as needed and used to limit the travel path for swing-through valve flaps, for instance.

The handwheel offers an optimum level of performance between handwheel forces and rotational speed, owing to the design principle of the differential gearing. Furthermore, the gear train is not interrupted, even though it is possible to adjust the handwheel at any time. This ensures maximum operational reliability. The 3-phase asynchronous motor is equipped with a spring-loaded brake. The brake is energized in automatic mode. In the case of a fault or failure of the supply voltage, the brake will engage via the spring force and lock the control valve in the current position. This ensures reliable 'Fail-Freeze' action. The brake is maintenance-free, regardless of whether the actuator is controlled via analog, bus, or step controller signals.

... Brief description

Analog signal and power input

For analog control, the set point entry is received from the control system through a 0 to 20 mA or 4 to 20 mA current value. Signal monitoring is possible. Should the signal leave the pre-defined limits, the actuator will perform the set safety procedure (e. g. 'Lock in last position' or 'Drive to safety position').

The position feedback is also given through a 0 to 20 mA or 4 to 20 mA feedback signal. There are 3 digital inputs and 3 digital outputs available in addition to the analog signal. If a digital input is activated, it will take priority over the set point signal (manual mode takes priority over automatic mode).

The following digital input configurations are possible:

Configuration	Digital input 1	Digital input 2	Digital input 3
OFF	No function	No function	No function
Manual intervention	Manual mode / Automatic mode switching	Travel command in OPEN direction	Travel command in CLOSE direction
Rapid traverse	Rapid traverse mode / Automatic mode switching	Rapid traverse travel command in OPEN direction	Rapid traverse travel command in CLOSE direction
Step controller	ON / OFF step controller activation	Step controller pulses in OPEN direction	Step controller pulses in CLOSE direction

The digital output function is freely selectable for each output. The following functions are available:

Function	Description
Ready to operate	Signaling of device status.
Signal end position 0 %	Actuator has reached the 0 % position.
Signal end position 100 %	Actuator has reached the 100 % position.
Signal limit value 1 rising	While the signal level is rising, the actuator has reached the position defined as limit value 1.
Signal limit value 1 falling	While the signal level is falling, the actuator has reached the position defined as limit value 1.
Signal limit value 2 rising	While the signal level is rising, the actuator has reached the position defined as limit value 2.
Signal limit value 2 falling	While the signal level is falling, the actuator has reached the position defined as limit value 2.
Collective failure	Drive function is no longer given. The actuator is no longer available.
Collective alarm	Parameters in the Contrac interface system have adopted values, which make a failure in the near future likely. The actuator remains functional.
Local operation	The actuator is operated via the local control station (ISF)
Rapid traverse + direction	Actuator is moving at rapid traverse speed in + direction (only for 2-motor version).
Rapid traverse control -direction	Actuator is moving at rapid traverse speed in - direction (only for 2-motor version).

Step controller operation

In the 'step controller' operating mode the incoming control commands are received as pulses at digital inputs 2 and 3 these are upward-integrated into an internal memory. The memory uses these pulses to generate an 'artificial' internal set point which the actuator then follows. This process is as easy on the control valve and actuator operation as the analog control process.

Rapid traverse mode

The actuator is operated exactly in the same operating mode as in the analog control mode. On activation of digital inputs 2 or 3, the actuator moves at twice the rated operating speed and half the torque in the corresponding direction. Just before the end position is reached, the actuator travel speed is automatically switched back to the set speed, at which the remaining distance is covered.

Speed

Contrac actuators offer different speed adjustments for both directions, independently of actuator torque or actuator force. Furthermore, a speed characteristics curve can be set with three different speed values for each direction. The actuator speed is steplessly adapted to the rate of change in speed of the set point value. This ensures a highly dynamic and extremely precise control process. In order to preserve the control valve, the actuator speed is automatically reduced before the end position is reached.

Torque/Force

The torque and actuator force setting options are comparable to the speed setting options. 50 %, 75 % and 100 % of the rated output value can be selected. The electronic unit alters the motor actuation according to the selected value.

Set point monitoring

The set point can be monitored for compliance with the adjustable limit values. Should the set point exceed the upper limit value or fall below the lower limit value, the actuator will perform the previously defined safety action. 'Lock in current Position' or 'Move to pre-defined safety position' are available as safety actions.

Ambient conditions

Temperature

Different temperature versions are available, depending on the actuator type.

The power-up period is not subject to derating, i.e. even at the maximum permissible ambient temperature, the actuator ensures maximum control precision and dynamics during a power-up period of 100 %.

Corrosion protection

Contrac actuators and electronic units have been designed for operation in extreme ambient conditions. They satisfy the requirements of atmospheric corrosivity category C5-I (highly polluted industrial atmospheres) for protection against external corrosion in accordance with DIN EN 15714 (Electric actuators for industrial valves – Basic requirements), and EN ISO 12944-2:1998 (Paints and varnishes. Corrosion protection of steel structures by protective paint systems. Classification of environments).

Electronic cabinet modules satisfy the requirements of category C1 (low pollution) as per EN ISO 12944-2:1998 (Paints and varnishes. Corrosion protection of steel structures by protective paint systems. Classification of environments).

Service life

Contrac actuators and electronic units exceed the service life requirements for the highest class D, 'continuous modulation', as per DIN EN 15714 (Electric actuators for industrial valves – Basic requirements). The actuators remain maintenance-free for up to 10 years under 'normal' load.

Communication

The PROFIBUS DP®, PROFIBUS DP®/V1 or HART® communication protocols are available for digital communication.

PROFIBUS®

PROFIBUS DP® is an international, open field bus protocol which has been standardized in the field bus standard EN 50170. On a cyclic basis, the master reads the input information from the slaves and writes the output information to the slaves. In addition to this cyclic data transfer of the process representation (e. g. setpoint and actual value), Profibus DP also provides powerful functions for diagnostics and commissioning. PROFIBUS DP/V1 additionally offers the acyclic transfer of data for the configuration of slaves, for example. Data traffic is monitored through the monitoring functions on the master and slave sides. In addition to PROFIBUS® data transfer, ABB Contrac actuators provide two configurable binary outputs to for example signal that the end position has been reached. The two configurable digital outputs can be used independently of the bus communication.

HART®

Contrac actuators also offer the option of using the HART® communication protocol for configuration and parameterization while operation is in progress. HART®-FSK communication enables simultaneous analog set point transmission and digital communication without additional installation. The HART signal is modulated on to the 4 to 20 mA analog set point signal. The HART® protocol works with Frequency Shift Keying (FSK) technology, based on the Bell 202 communication standard.

DTM

The DTM (Device Type Manager) for Contrac actuators is based on FDT / DTM technology (FDT 1.2 / 1.2.1) and can either be integrated into a control system or loaded on a PC with DAT200 Asset Vision Basic. This allows you to work with the same user interface in the commissioning phase, during operation, and for servicing tasks, involving monitoring the device, setting parameters, and reading out data. Communication is based on HART® protocol or PROFIBUS® communication. Reading out data from the device has no effect on the operation in progress. Newly set parameters are saved in the non-volatile memory directly upon download to the device, and become active immediately.

EDD

Similar to DTM, the EDD (Electronic Device Description) provides the option of configuration and parameterization of the device through HART® communication by using a handheld terminal or an EDD integrated in the system.

Use in potentially explosive atmospheres

Explosion proof Contrac actuators are classified as type II devices for operation in potentially explosive atmospheres for days and device category 2.

They are designed for use in Ex zones 1 and 21.

Can of course also be used in zones 2 and 22 (for gas and dust atmosphere).

Ex marking

Actuator components

Full identification	II 2 GD ck Ex de [ib] ib II B T4 or IP6x T=130 °C ZELM 04 ATEX 0209 X
Motor with brake	II GD Ex de IIB T4
Gearing	II 2GD ck T4
Position sensor	II 2G Ex [ib] ib IIC T4
Anti-condensation heater	II 2G Ex d II C
Connection areas	II 2G/D Ex e II B T4

Standards

Applicable standards

• EN 50 014	• EN 50 0281-1-1
• EN 50 018	• EN 13 463-1
• EN 50 019	• EN 13 463-5
• EN 50 020	• EN 13 463-8

Thermal motor monitoring

In Contrac control actuators for use in potentially explosive atmospheres, additional independent monitoring of motor temperature is required.

Monitoring can be performed using the ABB SD241-B monitoring unit or a comparable certified tripping unit for thermistor temperature sensors.

The motor temperature monitoring unit interrupts the power supply as soon as the motor temperature up-scales the permissible limit value.

... Use in potentially explosive atmospheres

Overview

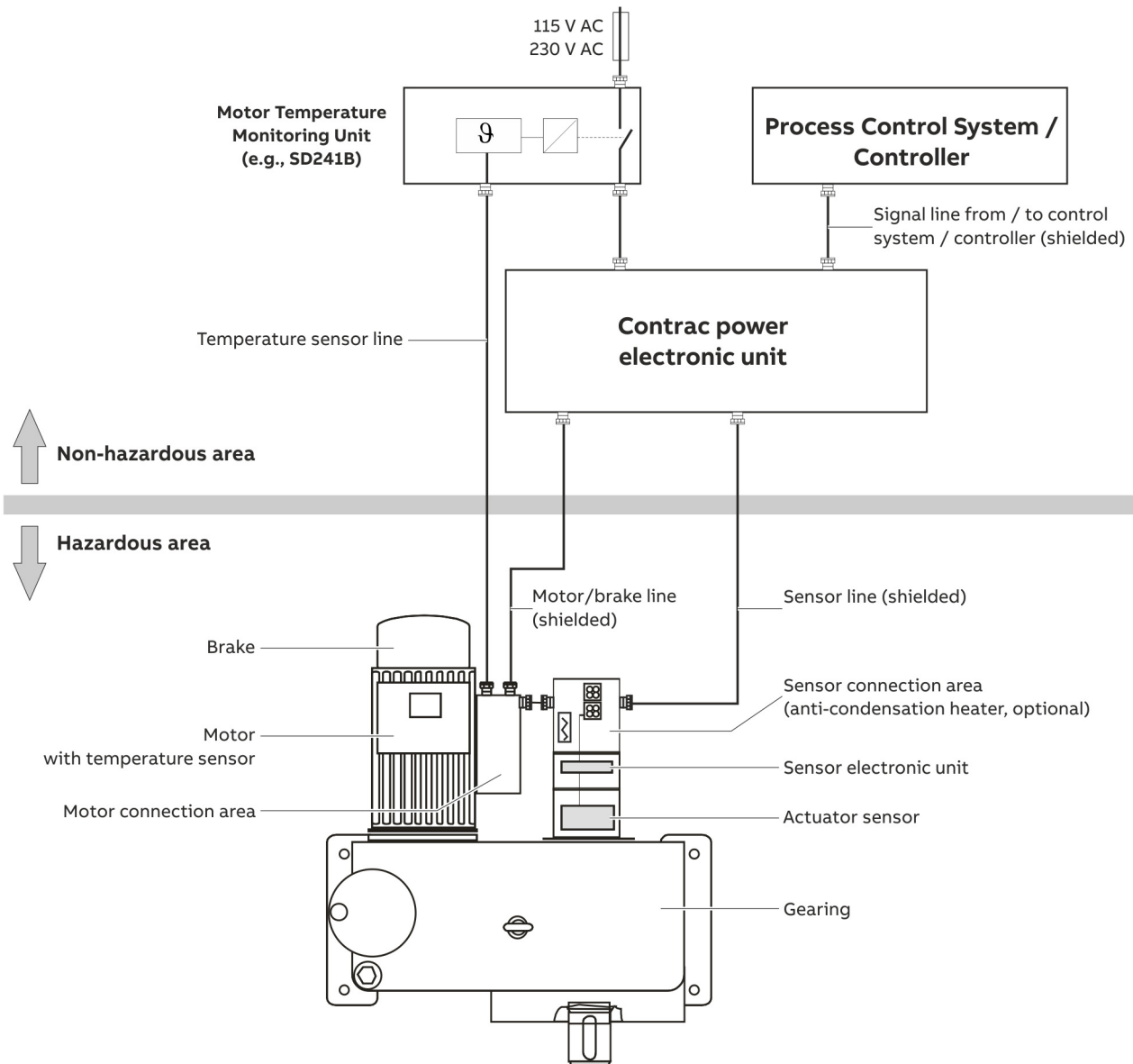


Figure 1: Allocation of the Contrac components when using in potentially explosive atmospheres (example)

Specification

Control actuator

	RHDE1250 / RHDE2500 (Contrac)
Operating mode	S9; stallproof acc. to EN 60034-1
IP rating	IP 66
Explosion protection	ATEX
Humidity	≤ 95 % annual average; condensation not permitted
Ambient temperature	-25 to 60 °C (-13 to 140 °F) -30 to 40 °C (-22 to 104 °F) (reduced operating speed at rated load and below -10 °C (14 °F))
Transport and storage temperature	-30 to 60 °C (-22 to 140 °F)
Long-term storage temperature	-30 to 40 °C (-22 to 104 °F)
Mounting position	IMB 3, IMB 6, IMB 7, IMV 6; preferably IMB 3 in accordance with EN 60034-7
Coating	2-layer component epoxy (RAL 9005, black)
Anti-condensation heater	Motor winding: directly from electronic unit. Signal space: separate heating resistor; separate power supply or power feed from Contrac electronic unit
Electrical connection	Terminals in Ex e area; separately for motor and signals Connection cable for electronic unit – actuator available as an option (see ordering information for electronic unit)
Power supply for motor and sensors	Via Contrac electronic unit only

	RHDE1250-12	RHDE2500-10	RHDE2500-25
Nominal torque	1250 Nm (920 lbf-ft), adjustable to 0.5, 0.75 or 1 × nominal torque	2500 Nm (1850 lbf-ft), adjustable to 0.5, 0.75 or 1 × nominal torque	
Starting torque	1.2 × nominal torque (break-away torque in end positions for short time 2 × nominal torque)		
Rated time for 90°; adjustable	12 to 900 s	10 to 900 s	25 to 900 s
Rated operating speed, adjustable	7.5 to 0.1°/s	9.0 to 0.1°/s	3.6 to 0.1°/s
Operating angle	Typically 90° (min. 35°; max. 140°), with lever and limit stops the mechanical limits in accordance with operating instruction should be complied with.		
Weight	282 kg (622 lb)	269.5 kg (594 lb)	282 kg (622 lb)
Associated electronic unit	For field mounting: EBN853 For rack installation: EBS852	For field mounting: EBN861 For rack installation: EBS862	For field mounting: EBN853 For rack installation: EBS852
Thermal motor monitoring	With motor temperature monitoring equipment SD241B or similarly certified tripping unit.		
Motor	BD 80 M2-4 B	BD 90 L-4 B	BD 80 M2-4 B
Sensors	Position transmitter and temperature sensor always available		

... Specification

Electronic unit

Note

Detailed information on separate electronic units can be found in the corresponding data sheets.

Power supply

RHD(E)1250 / RHD(E)2500

Supply voltage	115 V AC (94 to 130 V) or 230 V AC (190 to 260 V); 47.5 to 63 Hz; single-phase			
Current consumption at the electronic unit [A] (AC 115 V / AC 230 V)		I_{\max} at 115 V	I_{\max} at 230 V	I_{pos} (115 + 230 V):
	RHD(E)1250-12	5 A	2.5 A	approx. 40 to 50 % of I_{\max}
	RHD(E)2500-25	5 A	2.5 A	
	RHD(E)2500-10*	5.0 A	5.3 A	
External fuse	16 A; time-lag			

* External fuse: safety fuse 35 A (Lindner) + thermal circuit breaker 16 A (ETA) Fuse and circuit breaker are part of shipment

Communication

Conventional communication

Analog input	0 / 4 to 20 mA; internal load EBN853, EBS852 300 Ω
Analog output	0 / 4 to 20 mA, electrically isolated, max. load 500 Ω
3 digital inputs, 1 to 3	Digital 0: -3 to 5 V or open, electrically isolated Digital 1: 12 to 35 V, electrically isolated
3 digital outputs, 1 to 3	Potential-free relay contact, max. 60 V, 150 mA
Digital communication	RS232 for commissioning and service, with optional FSK / HART® or PROFIBUS DP®
Default settings	See Table Conventional communication on page 12.
Voltage output U_v	24 V, 15 mA, electrically isolated, for scanning external contacts, or similar applications
Connection for transmitter (optional)	Supply for two-wire transmitter with activated process controller in Contrac
Individual settings	See data sheet 'DS/CONTRAC/SETTING' or available upon request.

PROFIBUS DP® Communication

PNO ID no.	0×9655 Actuators with DP/V0 communication (cyclic data traffic) 0×09EC Actuators with DP/V1 communication (cyclic and acyclic data traffic)
Communication protocol	PROFIBUS PA® Profile V3.0 Class B in accordance with IEC 50170 / EN 50170 (DIN 19245)
Bus cable	Twisted, shielded copper wire acc. to IEC 50170 / EN 50170
Interface	EIA-485 (RS485) acc. to IEC 50170 / EN 50170
Permissible baud rates	93.75 Kbit/s 187.5 Kbit/s 500 Kbit/s 1500 Kbit/s Automatic baud rate detection
Bus address	0 to 126, default address 126 Set Slave Address service is supported
Bus termination	Connectable active bus termination. Power supply from electronic unit
Block types	1 analog input function block 1 transducer block 1 physical block
Failsafe	Failsafe function is supported. Configurable function for downtime of bus communication <ul style="list-style-type: none"> • Lock in last position • Drive to safety position • Adjust with last effective set point Adjustable time delay
Modules for cyclic communication	8 standards-compliant modules and 3 manufacturer-specific modules are available.* SP (Short) SP (Long) RCAS_IN+RCAS_OUT SP+READBACK+POS_D SP+CHECKBACK SP+READBACK+POS_D+CHECKBACK RCAS_IN+RCAS_OUT+CHECKBACK SP+RCAS_IN+READBACK+RCAS_OUT+POS_D+CHECKBACK STANDARD SP+RB+MESSEING SP+RB+ENL_DIAG
Acyclic communication	Full parameterization and configurability via Master Class 2 and DTM
Default settings	See Table PROFIBUS DP® communication on page 12.
Digital outputs 1 and 2	In addition to the PROFIBUS®-communication, there are 2 digital outputs. Potential-free relay contact, max. 60 V, 150 mA Default setting: Digital output 1 End position signal 0 % Digital output 2 End position signal 100 %
Individual settings	See data sheet 'DS/CONTRAC/SETTING' or available upon request.

* A full description of communication modules can be found in parameterization and configuration instructions 45/68-10

... Specification

Delivery state

The standard delivery scope includes metric cable entry threads with IP66 seal plugs. Optional NPT and PG adapters are available. The individual actuator configuration may vary from the standard setup above. This information can be displayed via the user interface. Unless otherwise specified by the user, the electronic units are delivered with the following standard configuration:

Conventional communication

Parameter	Setting
Function selection	Positioner, parameter: set point
Set point function	Analog set point
Set point range	4 to 20 mA
Set point characteristic	Linear; set point = position value
Actual value range	4 to 20 mA
Nominal torque / rated force in \pm direction	100 %
Automatic speed in \pm direction:	100 %
Action in 0 % / 100 % end position	Keep leak-tight with nominal torque / rated force
Digital inputs	Digital input 1 Manual / Automatic switching, Digital input 2 / 3 Travel command \pm
Digital outputs	Digital output 1 ready for operation / error message, Digital output 2 / 3 end position signaling 0 % / 100 %
Brake Away Function	Deactivated
Shut-off function	Deactivated
Positioning loop monitoring	Deactivated
Set point monitoring	Deactivated
Alarm Type	Deactivated
Action after restoration of power	Switch to Automatic
Working range of actuator	Not set

PROFIBUS DP® communication

Parameter	Setting
Function selection	Positioner, parameter: set point
Set point function	Digital
Set point range	4 to 20 mA
Set point characteristic	Linear; set point = position value
Actual value range	Digital
Nominal torque / rated force in \pm direction	100 %
Automatic speed in \pm direction:	100 %
Action in 0 % / 100 % end position	Keep leak-tight with nominal torque / rated force
Digital outputs	Digital output 1 / 2 end position signal 0 % / 100 %
Brake Away Function	Deactivated
Shut-off function	Deactivated
Positioning loop monitoring	Deactivated
Communication monitoring	PROFIBUS DP® / V0: Activated Lock in last position PROFIBUS DP® / V1: Activated After delay time has elapsed (standard configuration 5 s) Lock in last position
Alarm Type	Deactivated
Action after restoration of power	Switch to Automatic
Working range of actuator	Not set

Electrical connections

Wire cross-sectional areas

Control actuator

Screw terminals	
Motor/brake	max. 2.5 mm ² (14 AWG)
Signals	max. 2.5 mm ² (14 AWG)

Electronic unit

EBN853 – Screw terminals	
Motor/brake	rigid: 0.2 to 6 mm ² (24 to 10 AWG)
	flexible: 0.2 to 4 mm ² (24 to 12 AWG)
Mains	rigid: 0.5 to 6 mm ² (20 to 10 AWG)
	flexible: 0.5 to 4 mm ² (20 to 12 AWG)
Signals	rigid: 0.5 to 4 mm ² (20 to 12 AWG)
	flexible: 0.5 to 2.5 mm ² (20 to 14 AWG)

EBS852 – Clamping connection

	Suited for cable Ø Terminals for conductor cross-section	
Mains cable	13 mm (0.51 in)	max. 4 mm ² (12 AWG)
Signal cable (DCS)	8 mm (0.31 in)	max. 1.5 mm ² (16 AWG)
Transmitter (option)	8 mm (0.31 in)	max. 1.5 mm ² (16 AWG)
Motor cable	13 mm (0.51 in)	max. 4 mm ² (12 AWG)
Sensor cable	8 mm (0.31 in)	max. 1.5 mm ² (16 AWG)

Cable glands

The actuators and electronic units are supplied without cable glands. Suited cable glands must be installed on site.

Tap holes for cable glands

	metric	optional adapters for*	
Signals	M20 × 1.5 (2×)	PG 16 (2×)	NPT ½ in (2×)
Motor	M25 × 1.5 (1×)	PG 21 (1×)	NPT ¾ in (1×)
Temperature sensor	M20 × 1.5 (1×)	PG 16 (2×)	NPT ½ in (2×)

* Adapter for PG or NPT thread must be ordered separately

Note

The on-site cable glands for the motor and signal cables must be produced in type of protection Ex 'e' (increased safety) and must ensure contact with the cable shielding.

Selection of suited connection cables

Please observe the following information when selecting cables:

- Use suited cables only for the electric connection between the Contrac control actuator in potentially explosive atmospheres and the components outside of the potentially explosive atmospheres.
- Use shielded cables for the motor / brake cable, the sensor cable, and the signal cable to the control system / controller.
- Connect the shielding of the motor / brake cable and the sensor cable on both sides (to the actuator and to the Contrac electronic unit).
- For the connection between the motor and motor temperature monitoring unit and for the power supply, shielded cables are not required.

Installation information on the cable harness for actuators in Ex design

The electrical connection between the Contrac electronic unit and the Contrac actuator can be established using the cable set (order code 695). The cable harness is not part of the Ex prototype test certificate and must therefore be tested for safety-relevant functionality within the complete installation by the installer or operator.

If the specified cable harness does not meet all safety-relevant requirements, the proper installation material must be used.

For the specified motor connection cable, the shielding must be connected at both ends and connected with protective ground.

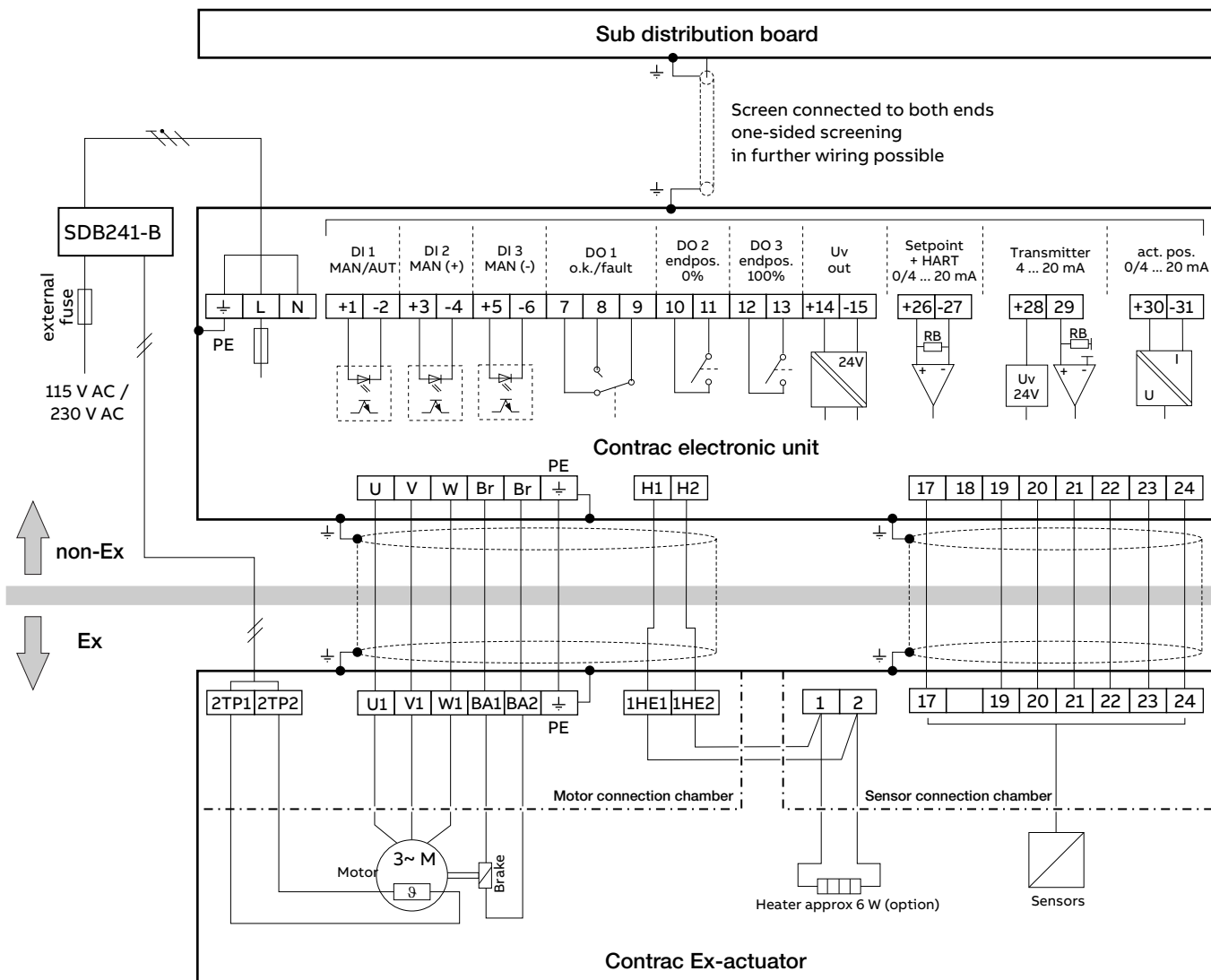
... Electrical connections

Electronic Unit EBN853 (Contrac)

Analog / Digital

Note

The electrical connection is established via screw terminals on the control actuator and on the electronic unit.



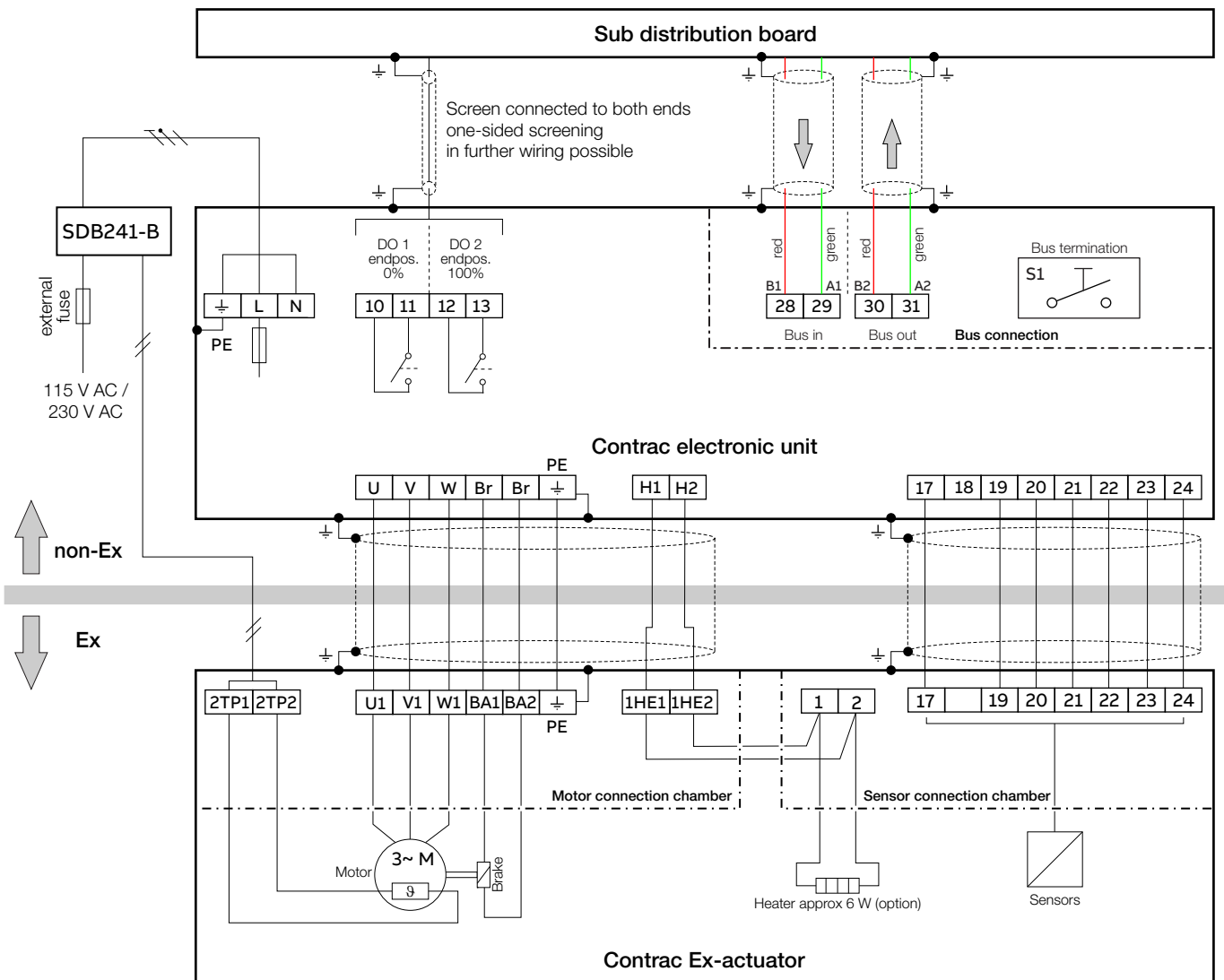
BE = digital input
 BA = digital output

Figure 1: Control via analog input 0/4 to 20 mA, HART® communication or digital inputs

PROFIBUS DP®

Note

The electrical connection is established via screw terminals on the control actuator and on the electronic unit.



BA = digital output

Figure 2: Control via fieldbus PROFIBUS DP®

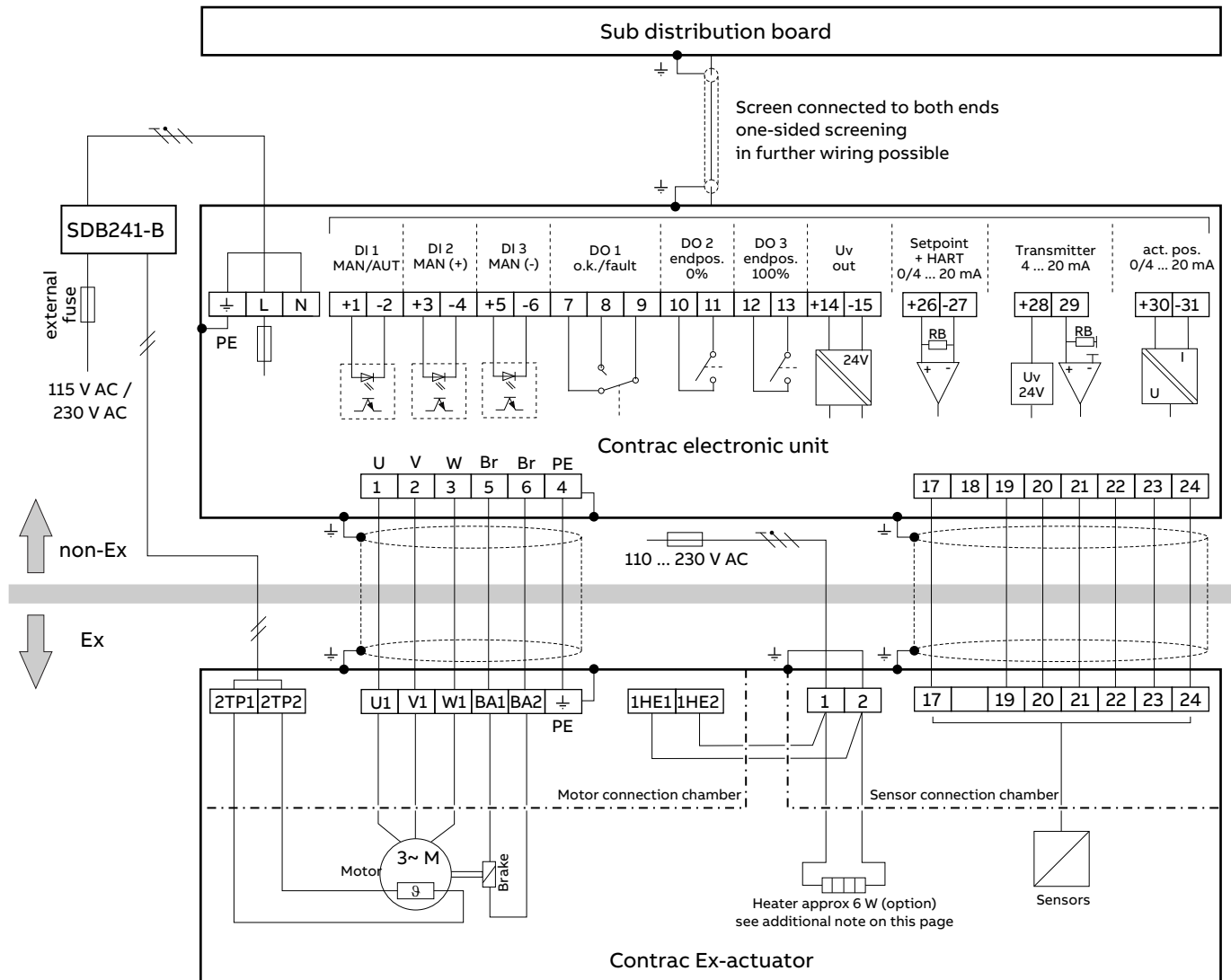
... Electrical connections

Electronic Unit EBN861 (Contrac)

Analog / Digital

Note

- The electrical connection is established via screw terminals on the control actuator and on the electronic unit.
- If you are using a separate heat supply, the heater must be protected with a 2 to 6 A medium time-lag fuse (e.g. NEOZED D01 E14).



BE = digital input

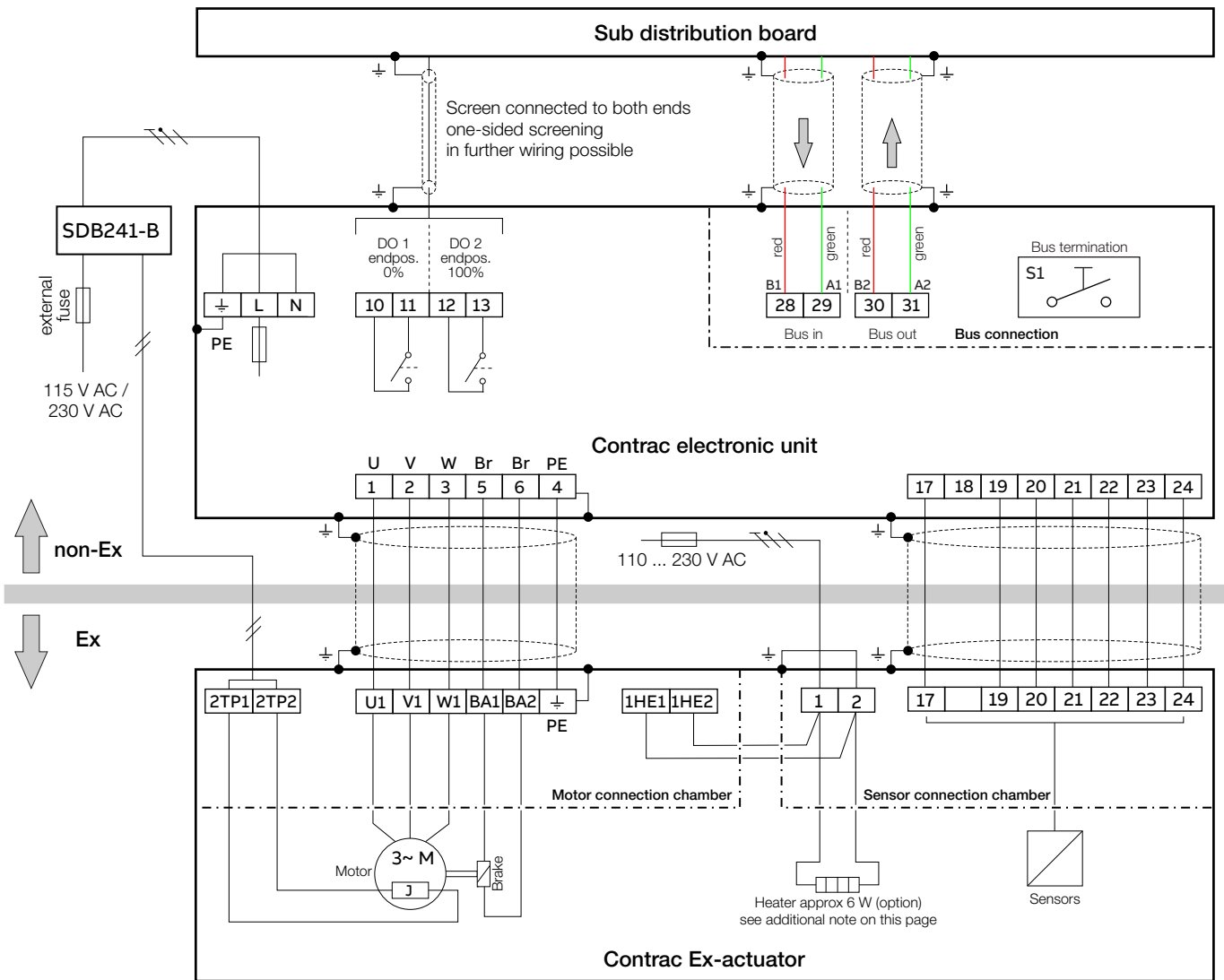
BA = digital output

Figure 2: Control via analog input 0/4 to 20 mA, HART® communication or digital inputs

PROFIBUS DP®

Note

- The electrical connection is established via screw terminals on the control actuator and on the electronic unit.
- If you are using a separate heat supply, the heater must be protected with a 2 to 6 A medium time-lag fuse (e.g. NEOZED D01 E14).



BA = digital output

Figure 3: Control via fieldbus PROFIBUS DP®

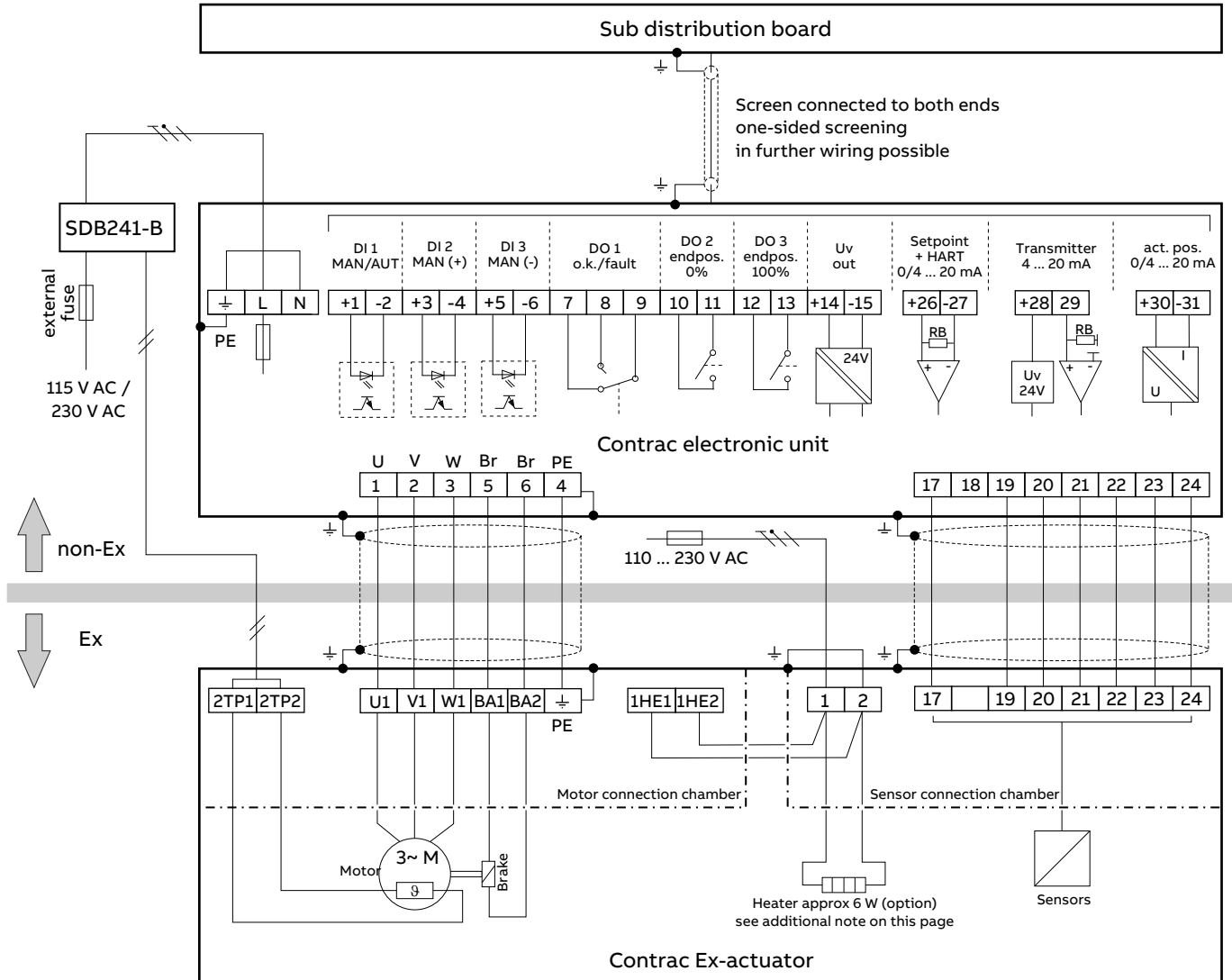
... Electrical connections

Electronic unit EBS852 (Contrac) / EBS862 (Contrac)

Analog / Digital

Note

- The electrical connection is established via screw terminals on the control actuator and on the electronic unit.
- If you are using a separate heat supply, the heater must be protected with a 2 to 6 A medium time-lag fuse (e.g. NEOZED D01 E14).

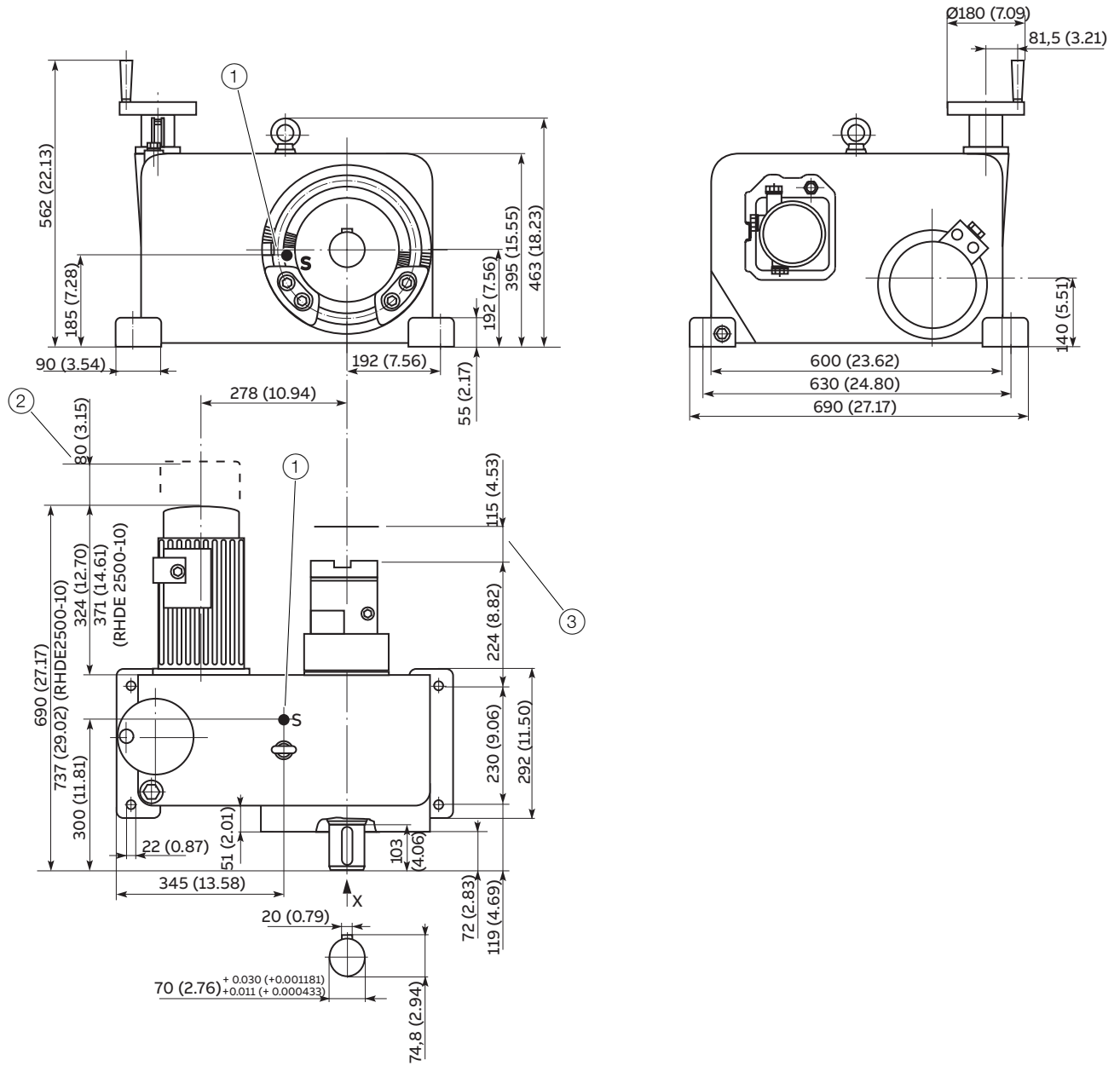


BE = digital input
 BA = digital output

Figure 4: Control via analog input 0/4 to 20 mA, HART® communication or digital inputs

Dimensions

Control actuator



- ① S = Center of gravity
- ② Removal dimension
- ③ Space for removing the plug

Figure 5: Dimensions in mm (in)

... Dimensions

Lever

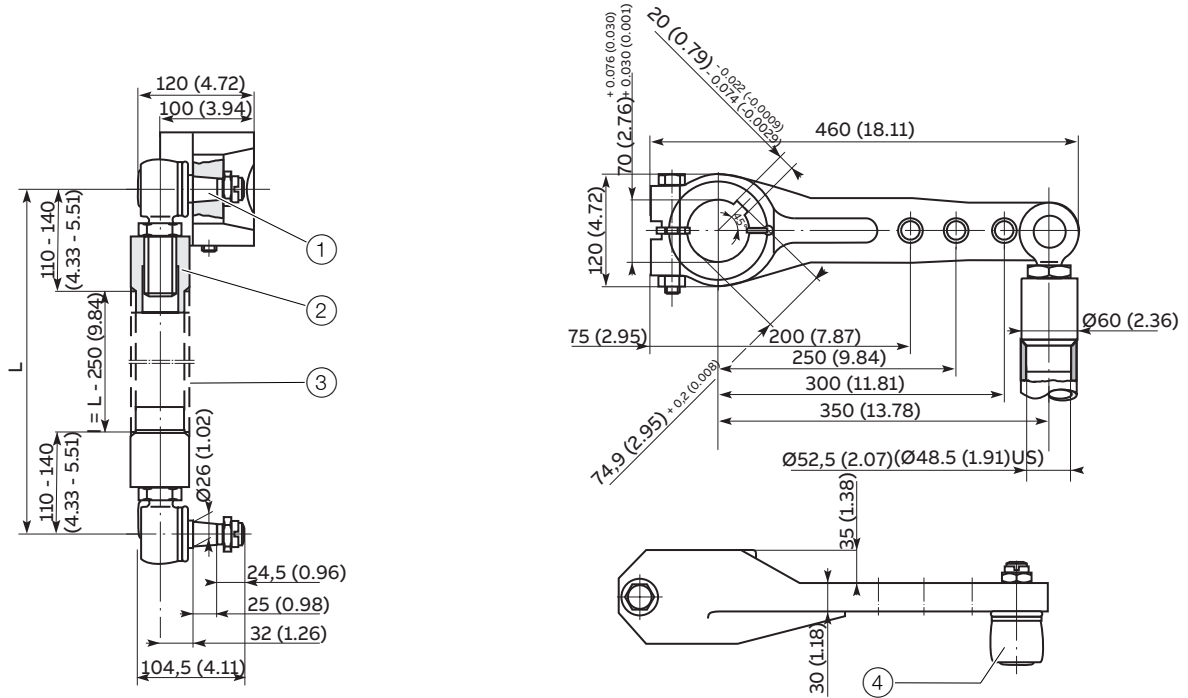


Figure 6: Dimensions in mm (in)

Ordering Information

RHDE1250 / RHDE2500

Basic model						
RHDE1250 Rotary Actuator in explosion-proof design, rated torque 1250 Nm (925 ft-lbs) (adjustable to 50 % / 75 % / 100 %)	V68176	XXXX	XXX	XXX	XXX	XXX
RHDE2500 Rotary Actuator in explosion-proof design, rated torque 2500 Nm (1850 ft-lbs) (adjustable to 50 % / 75 % / 100 %)	V68177	XXXX	XXX	XXX	XXX	XXX
Rated Pos. Speed						
7.5°/s (adjustable to 7.5 to 0.1°/s), only for RHDE1250-12		0113				
3.6°/s (adjustable to 3.6 to 0.1°/s), only for RHDE2500-25		0114				
9.0°/s (adjustable to 9.0 to 0.1°/s), only for RHDE2500-10		0115				
Mechanical Connection						
Shaft with key						370
Lever set, standard design (consists of lever, 2 ball-and-socket joints and 2 welding bushings)						496
Lever set, US design (consists of lever, 2 ball-and-socket joints and 2 US welding bushings)						374
Electrical Connection						
Terminals in EEx con. chamber						269
Ambient Temperature Range						
-25 to 60 °C (-15 to 140 °F)						346
-30 to 40 °C (-22 to 104 °F)						347
Explosion Protection						
ATEX II 2 GD ck EEx de [ib] ib II B T4 resp. IP 6x T = 130 °C						

... Ordering Information

Additional ordering information RHDE1250 / RHDE2500

RHDE1250 / RHD2500 Rotary Actuator in explosion-proof design	XXX	XXX	XXX	XXX	XXX	XXX	XXX
Electrical Connection Thread							
Set NPT adapter (junction metric / NPT thread)	680						
Anti-condensation Heater							
Anti-condensation heater		360					
Identification on Data Label							
(Alphanumeric, max. 32 characters)			294				
Data Label with US Units							
Data label with US units				253			
Factory Certificate 2.1 acc. to EN 10204							
Factory certificate 2.1 acc. EN 10204					291		
Certificate 3.1 acc. to EN 10204							
Certificate 3.1 acc. EN 10204						292	
Operating Instruction							
German							Z1D
English							Z1E
Russian							Z1R

Accessories

Description RHDE1250	Order number
RHD(E) adapter plate for rotary actuators, type AP3	789193
RHD(E) adapter plate for rotary actuators, type AP4	789195

Description RHDE2500	Order number
RHD(E) adapter plate for rotary actuators, type AP4	789195

Sales



Service



Trademarks

HART is a registered trademark of FieldComm Group, Austin, Texas, USA
 PROFIBUS and PROFIBUS DP are registered trademarks of PROFIBUS & PROFINET International (PI)

ABB Limited**Measurement & Analytics**

Howard Road, St. Neots
Cambridgeshire, PE19 8EU
UK

Tel: +44 (0)870 600 6122

Fax: +44 (0)1480 213 339

Email: enquiries.mp.uk@gb.abb.com

ABB Inc.**Measurement & Analytics**

125 E. County Line Road
Warminster, PA 18974
USA

Tel: +1 215 674 6000

Fax: +1 215 674 7183

ABB Automation Products GmbH**Measurement & Analytics**

Schillerstr. 72
32425 Minden
Germany

Tel: +49 571 830-0

Fax: +49 571 830-1806

abb.com/actuators

We reserve the right to make technical changes or modify the contents of this document without prior notice. With regard to purchase orders, the agreed particulars shall prevail.

ABB does not accept any responsibility whatsoever for potential errors or possible lack of information in this document.

We reserve all rights in this document and in the subject matter and illustrations contained therein. Any reproduction, disclosure to third parties or utilization of its contents – in whole or in parts – is forbidden without prior written consent of ABB.

Copyright© 2018 ABB
All rights reserved

3KXE111010R1001