

# FSQC 30, 60 and 100 Amp Series Receptacles and Powertite™ Plugs

## NEMA 3, 3R, 4 and 4X Rated Interlocked Disconnect Switch

600 Vac Max. 250 Vdc Max.

### NEC/CEC:

Class I, Division 1 and 2, Groups B, C, D

Class II, Division 1 and 2, Groups F, G

Class III

NEMA 3, 3R, 4, 4X, 7CD, 9FG①

### Applications

- Locations where receptacles are used with stationary or portable electrically operated devices such as:
  - Lighting systems
  - Conveyors
  - Heaters
  - Motor-generator sets
  - Air conditioners
  - Compressors
  - Pumps
- Locations where damp or corrosive conditions exist
- Class I: classified locations such as:
  - Petrochemical plants
  - Petroleum refineries
  - Paint and chemical plants
  - Any location where ignitable vapors or gases are present
- Class II: classified locations such as:
  - Process industries where there are dust hazards from handling such products as flour, grain and starch or any location where ignitable amounts of dust are present or amounts which would adversely affect performance

### Features

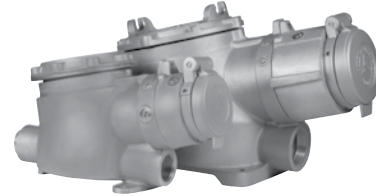
- Large housing provides ample wiring room.
- Style 2 (shell and extra pole) grounding.
- Spring door keeps dust out of receptacle when plug is not in use.
- Brass contacts exert constant pressure along entire contact surface and provide superior electrical contact.
- Contacts have beryllium copper wire springs.
- Insulators provide superior dielectric and mechanical strength and lowest arc tracking.
- Tapped NPT conduit openings at top and bottom: 30 Amp 3/4", 60 Amp 1-1/2", 100 Amp 2".
- "Interlocked" Disconnect Switch" provides safe connect and disconnect operation at 30, 60 or 100 Amp, 600 Vac maximum, three pole, non-fused motor circuit switch. FSQC permits safe operation in Class I, Group B as well as Class I, Groups C and D, Class II, Groups F, G, and Class III.
- To operate, insert plug and turn receptacle face to "ON" position. To remove plug, turn to OFF position and pull plug out.
- ACP Powertite™ Series plug fits hazardous location FSQC receptacles.
- Both flip and screw covers are provided. ①

### Standard Materials

- Receptacle and mounting box: copperfree (4/10 of 1% max.) aluminum
- ACP plugs: copperfree (4/10 of 1% max.) aluminum housings
- Insulating blocks: fiber glass reinforced polyester

### Standard Finishes

- Receptacles, mounting boxes, cord connector housings and caps: epoxy powder coat



**30 Amp**  
Shown with Flip Lid  
Cover



**60 Amp**  
Shown with Screw  
Cap Cover



**100 Amp**  
Shown with Flip Lid  
Cover

### Options

- Special Polarization: Prevents plug insertion in a receptacle or connector wired for a different voltage. In installations where there are different line voltages, the special polarization option is desirable. This allows only plugs and receptacles wired for the same line voltage to be mated together. The receptacle or connector interior is positioned 22-1/2°, relative to the polarization rivet, to the right (as specified) of standard, and plug is polarized to correspond. This option can be added to receptacles using the Powertite™ Plug. Add suffix **-P4** to receptacle or plug.
- Auxiliary contacts 1NO + 1NC. Add suffix **-AUX** to receptacle.

### NEC/CEC Certifications and Compliances

- UL Standard: UL 1010 (UL 1203), UL 894, UL 1682, UL 1686
- UL Listed: E10784
- CSA Standard: C22.2 No. 25, C22.2 No. 30, C22.2 No. 159
- CSA Certified: 025875

① Receptacle is rated NEMA 4 when mated with a Powertite™ Plug. When not mated, leave the flip cover installed for NEMA 3, 3R rating, or install screw cover for NEMA 4, 4X rating.

Classified by UL and Certified by CSA for use in specific combinations with Crouse-Hinds Arktite. Arktite is a registered trademark of Cooper Crouse-Hinds.

Visit our website at [www.emerson.com](http://www.emerson.com) or contact us at (800) 621-1506.

© November 2017

Appleton

PLUGS AND RECEPTACLES: NEC/CEC HAZARDOUS LOCATION

425

EMERSON

# FSQC 30, 60 and 100 Amp Series Receptacles and Powertite™ Plugs

## NEMA 3, 3R, 4 and 4X Rated Interlocked Disconnect Switch

600 Vac Max. 250 Vdc Max.


### NEC/CEC:

Class I, Division 1 and 2, Groups B, C, D


Class II, Division 1 and 2, Groups F, G

Class III

NEMA 3, 3R, 4, 4X, 7CD, 9FG①

	Amp	Hub Size (Inches) †	Wire/Poles	Terminal Block Wire Range	Receptacle Catalog Number ②	Mating Plug Powertite™
	30	3/4 or 1	3W, 4P	#10 - #8	FSQC3430	ACP3034BC
	60	1-1/2	3W, 4P	#6 - #4	FSQC5640	ACP6034BC
	100	2	3W, 4P	#2 - 1/0	FSQC61040	ACP1034CD

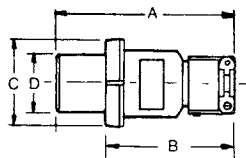
### ACP Plugs

	Wire/Poles	Cable Dia. (Inches)	30 Amp	60 Amp	100 Amp
	3W, 4P	0.500 to 1.250	ACP3034BC	ACP6034BC	—
		0.875 to 1.906	—	—	ACP1034CD

### Maximum Horsepower Ratings of Switch

Phase	Amps	120 Vac	240 Vac	480 Vac	600 Vac
Three	30	3	7.5	15	20
	60	—	10	25	30
	100	10	30	60	75

### ACP Plug Dimensions in Millimeters (Inches)



Max. Amp	A	B	C	D
30	152.4 (6.00)	120.6 (4.75)	79.5 (3.13)	47.2 (1.86)
60	198.3 (7.81)	125.4 (4.94)	88.9 (3.50)	56.6 (2.23)
100	262.7 (10.50)	168.4 (6.63)	101.6 (4.00)	62.7 (2.47)

① Receptacle is rated NEMA 4 when mated with a Powertite™ Plug. When not mated, leave the flip cover installed for NEMA 3, 3R rating, or install screw cover for NEMA 4, 4X rating.

② Receptacle insulator and contacts are not serviceable.

# FSQC 30, 60 and 100 Amp Series Receptacles and Powertite™ Plugs

## NEMA 3, 3R, 4 and 4X Rated Interlocked Disconnect Switch

600 Vac Max. 250 Vdc Max.

**NEC/CEC:**

Class I, Division 1 and 2, Groups B, C, D

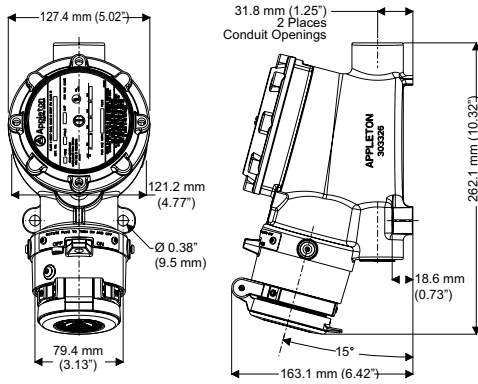
Class II, Division 1 and 2, Groups F, G

Class III

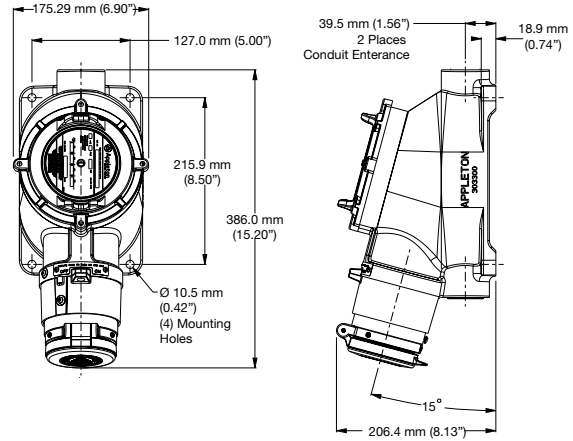
NEMA 3, 3R, 4, 4X, 7CD, 9FG①

### FSQC Receptacles — Shown with Flip Lid Cover — Dimensions in Millimeters (Inches)

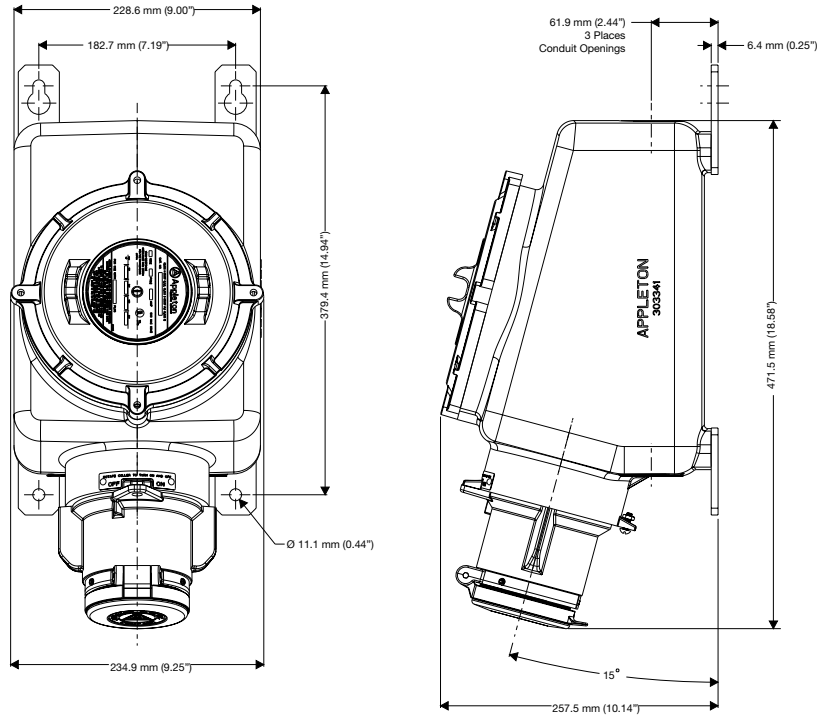
#### 30 Amp



#### 60 Amp



#### 100 Amp



① Receptacle is rated NEMA 4 when mated with a Powertite™ Plug. When not mated, leave the flip cover installed for NEMA 3, 3R rating, or install screw cover for NEMA 4, 4X rating.