

Bourdon tube pressure gauge with output signal

Stainless steel case, NS 50 and 63

Model PGT21

WIKA data sheet PV 11.03



for further approvals
see page 3

intelliGAUGE®

Applications

- General machine building
- Technical and medical gases
- Renewable energies

Special features

- Non-contact sensor (wear-free)
- Robust stainless steel case
- Nominal size 50, 63
- Scale ranges 0 ... 1.6 bar to 0 ... 400 bar
- Analogue output signal 4 ... 20 mA or DC 0.5 ... 4.5 V



Bourdon tube pressure gauge model PGT21

Description

The model PGT21 intelliGAUGE® is a combination of a Bourdon tube pressure gauge and a pressure sensor. It offers the usual analogue display, which enables reading the process pressure on site, and in addition an analogue output signal (4 ... 20 mA or DC 0.5 ... 4.5 V).

The measuring system with Bourdon tube per EN 837-1 produces a pointer rotation proportional to the pressure. An electronic angle encoder, proven in safety-critical automotive applications, determines the position of the pointer shaft – it is a non-contact sensor and therefore completely free from wear and friction. That provides a pressure-proportional signal for further processing.

The intelliGAUGE® is available as standard in scale ranges from 0 ... 1.6 bar to 0 ... 400 bar with an accuracy class of 2.5 and a 2 m round cable for the electrical connection. The stainless steel case fulfils the requirements of IP65 ingress protection. The resistance to shock and vibration can be increased by the silicone oil case filling. Thus the instrument is perfectly suited for use in harsh industrial environments.

Through various options (e.g. higher accuracy class, other cable length) the pressure gauge can be matched exactly to the customer-specific requirements of each application.

Specifications

Design

EN 837-1

Nominal size in mm

50, 63

Accuracy class

2.5

Scale ranges

0 ... 1.6 to 0 ... 400 bar

or all other equivalent vacuum or combined pressure and vacuum ranges

Pressure limitation

Steady: 3/4 x full scale value

Fluctuating: 2/3 x full scale value

Short time: Full scale value

Permissible temperature

Ambient: -20 ... +60 °C

Medium: +60 °C maximum

Storage temperature: -40 ... +70 °C

Temperature effect

When the temperature of the measuring system deviates from the reference temperature (+20 °C): max. $\pm 0.4 \%$ /10 K of the span

Process connection

Copper alloy

Lower mount (radial) or centre back mount

NS 50, 63: G 1/4 B (male), SW 14

Pressure element

Copper alloy

Movement

Copper alloy

Dial

Plastic, white, black lettering

Pointer

Plastic, black

Case

Stainless steel

Window

Plastic, crystal-clear (PC)

Ingress protection

IP65 per IEC/EN 60529

Electronics

Power supply (U_B)

DC 5 V / DC 12 ... 32 V

Electrical connection

Cable outlet, standard length 2 m

U_B	Output signal U_{SIG}
DC 5 V	0.5 ... 2.5 V, 0.5 ... 3.5 V or 0.5 ... 4.5 V, ratiometric
DC 12 ... 32 V	0.5 ... 2.5 V, 0.5 ... 3.5 V or 0.5 ... 4.5 V, not ratiometric or 4 ... 20 mA, 2-wire

Colour	Assignment
red	U_B
black	GND
orange	SP1
brown	SP2

Output signal and permissible load

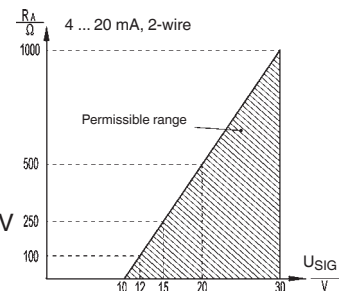
Voltage output (3-wire): R_A
> 5 k Ω

Current output (2-wire)

4 ... 20 mA:

$R_A \leq (U_{SIG} - 10 \text{ V}) / 0.02 \text{ A}$








with R_A in Ω and U_{SIG} in DC V



Options

- Other process connection (with adapter, copper alloy)
- Other cable length
- Other electrical connection
- Ingress protection IP67
- Accuracy class 1.6
- Version for CNG vehicles (model LIG12)

Approvals

Logo	Description	Country
	EU declaration of conformity <ul style="list-style-type: none"> ■ EMC directive ¹⁾ EN 61326 emission (group 1, class B) and interference immunity (industrial application) Per test standards EN 61000-4-6 / EN 61000-4-3 ■ Pressure equipment directive 	European Union
	EAC (option) <ul style="list-style-type: none"> ■ EMC directive ■ Pressure equipment directive 	Eurasian Economic Community
	GOST (option) Metrology, measurement technology	Russia
	KazInMetr (option) Metrology, measurement technology	Kazakhstan
	BelGIM (option) Metrology, measurement technology	Belarus
	UkrSEPRO (option) Metrology, measurement technology	Ukraine
	Uzstandard (option) Metrology, measurement technology	Uzbekistan
-	CRN Safety (e.g. electr. safety, overpressure, ...)	Canada

1) In the case of electrostatic discharge per IEC 61000-4-2 and fast transients per IEC 61000-4-4, the measuring signal can deviate by up to $\pm 75\%$ of the measuring span for the duration of the failure. After the failure, the instrument will operate within the specification again. For cable lengths of > 3 m, shielded wires have to be used in order to efficiently reduce the effects of failures in the form of fast transients.

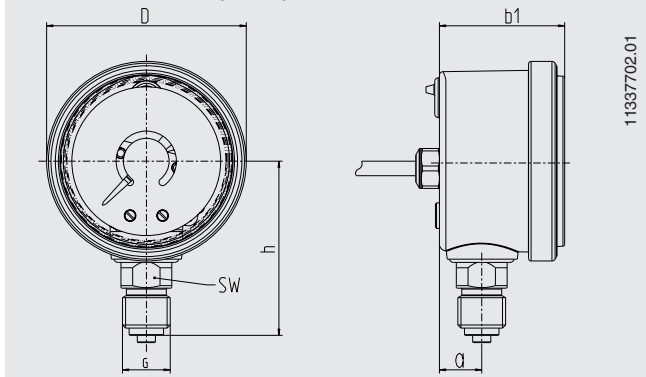
Certificates (option)

- 2.2 test report
- 3.1 inspection certificate

Dimensions in mm

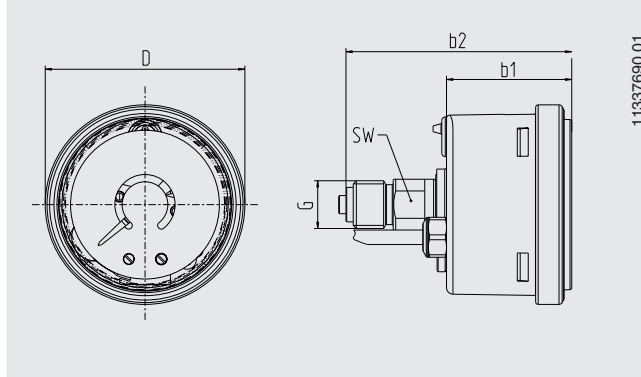
Standard version

NS 50, lower mount (radial)



11337702.01

NS 50, centre back mount

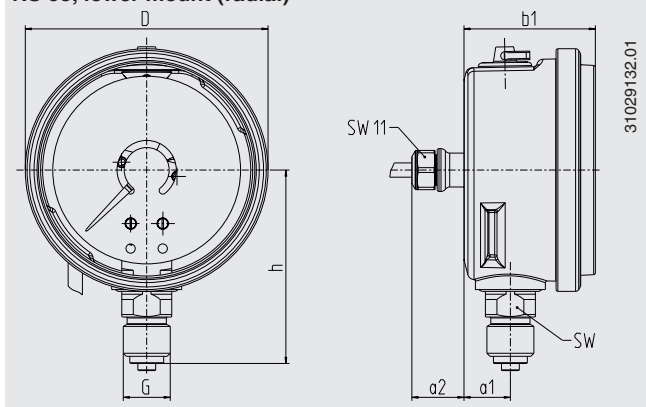


11337690.01

Dimensions in mm							Weight in kg
D	a	b ₁	b ₂	G	h	SW	
55	11	34.5	62.2	G ¼ B	48	14	0.18

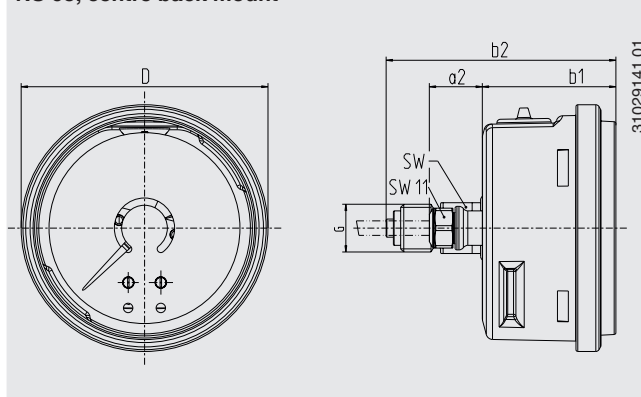
Process connection per EN 837-1 / 7.3

NS 63, lower mount (radial)



31029132.01

NS 63, centre back mount



31029141.01

Dimensions in mm								Weight in kg
D	a ₁	a ₂	b ₁	b ₂	G	h	SW	
68	13	14.6	36.8	63.3	G ¼ B	54.2	14	0.20

Process connection per EN 837-1 / 7.3

Ordering information

Model / Nominal size / Scale range / Connection size / Connection location / Output signal / Options

© 05/2008 WIKA Alexander Wiegand SE & Co. KG, all rights reserved.
The specifications given in this document represent the state of engineering at the time of publishing.
We reserve the right to make modifications to the specifications and materials.

