

Adaptable power control

EPack-1PH compact SCR power controllers

Designed for fast integration and optimum efficiency



Product at a glance

OEMs and system integrators need to be able to react quickly to customer needs while maximizing resources. Whether replacing an existing product or designing a new process, the design of the EPack™ power controller has been carefully considered for fast and easy panel installation, commissioning and integration into wider systems, lowering equipment costs, and manufacturing times for you and your customers.

End users continually need to improve operational efficiency and productivity. EPack power controllers can deliver real savings, significantly reducing your energy costs. Get the best from your operations; quick and easy to install, integrate and commission. A compact size does not compromise powerful and versatile features that minimize costs and improve productivity and quality.

> See [EPack™ compact SCR power controllers' brochure HA031554](#) to discover how EPack can add value to your business

EPack 1-PH is a compact fully featured power controller from Eurotherm, combining a high level of functionality and configurability with simplicity of setup and operation. The combination of advanced configurable firing modes allows close matching to load characteristics for maximum process efficiency. EPack is highly configurable and may be adapted for current and future needs using a software key to purchase additional functionality when needed.

Key features:

- Nominal load current from 1 amp to 125 amps
- Voltage up to 500V
- Compact DIN Rail and bulkhead mounting format
- Configurable via Eurotherm iTools (PC software) or front panel
- Plug and play Ethernet communications with Zero configuration networking (zeroconf)
- V^2 , I^2 or True power control
- Controls comprehensive range of loads: resistive, infrared, transformer primary, molybdenum disilicide, silicon carbide,...
- Energy usage measurement
- Advanced load diagnostics
- Integrated dual port Ethernet switch for "daisy chained" communications
- Modbus® TCP, Ethernet IP or Profinet protocols
- Defend OEM knowledge and IP (OEM Security)

Specifications

General	
Directive	EMC directive 2014/30/EU Low Voltage Directive 2014/35/EU
Safety specification	EN60947-4-3:2014
EMC emissions specification	EN60947-4-3:2014 - Class A product
EMC immunity specification	EN60947-4-3:2014
Vibration tests	EN60947-1 annex Q category E
Shock tests	EN60947-1 annex Q category E
Approvals	
Europe	CE according to EN60947-4-3:2014 (identical to IEC60947-4-3:2014)
US & Canada	UL60947-4-1 CAN/CSA C22.2 NO.60947-4-1-14 with SCCR at 100kA
China	Product not listed in catalogue of products subject to China Compulsory Certification (CCC)
Russian & Baltic countries	EAC and Pattern approval pending
Protection	CE: 16 to 63A > IP10 according to EN60529 80 to 125A > IP20 according to EN60529 UL: open type

Condition of use	
Atmosphere	Non-corrosive, non-explosive, non-conductive
Degree of pollution	Degree 2
Storage temperature	-25°C to 70°C (maximum)
Usage temperature	0 to 45°C at 1000m 0 to 40°C at 2000m
Altitude	1000m maximum at 45°C 2000m maximum at 40°C
Derating curves	<p>The graph plots Altitude (meters) on the y-axis (1000 to 2000) against Operating temperature (°C) on the x-axis (40 to 45). A horizontal line is at 2000m from 40°C to 41°C. From 41°C to 45°C, the altitude decreases linearly from 2000m to 1000m.</p>

Mechanical details				
Unit	Height	Width	Depth	Weight
16 to 32A	129.2 mm	51 mm	136.2 mm	0.8 kg
40 to 63A	129.2 mm	72 mm	158.2 mm	0.95 kg
80 to 100A	197.6 mm	80 mm	202.1 mm	1.8 kg
125A	197.6 mm	120 mm	202.1 mm	2.5 kg

Current rating	Fuse without microswitch		Fuse with microswitch	
	Fuse holder size	Dimensions (H x W x D)	Fuse holder size	Dimensions (H x W x D)
≤25A	10x38	88.5x17.5x64.5	14x51	110.8x26.5x76.5
32A	14x51	110.8x26.5x76.5	14x51	110.8x26.5x76.5
40A	14x51	110.8x26.5x76.5	14x51	110.8x26.5x76.5
50A	22x58	127.5x35x76.5	22x58	127.5x35x76.5
63A	27x60	149.4x40x93.5	27x60	149.4x40x93.5
80A	27x60	149.4x40x93.5	27x60	149.4x40x93.5
100A	27x60	149.4x40x93.5	27x60	149.4x40x93.5
125A	27x60	149.4x40x93.5	27x60	149.4x40x93.5

Power	
Nominal current	1 to 125 amps
Nominal voltage	100V to 500V +10%/–15%
Accuracy	+2% of full scale - from 100 to 500V +10%/–15%
Frequency	47Hz to 63Hz
Protection	High speed fuses
Type of loads	
AC51	Resistive or slightly inductive load (cos phi>0.8)
AC-55b	Infra Red (With Derating)
AC-56a	Transformer Primary or MOSI (e.g. Molybdenum disilicide) Time temperature dependant loads (e.g.Silicon Carbide)

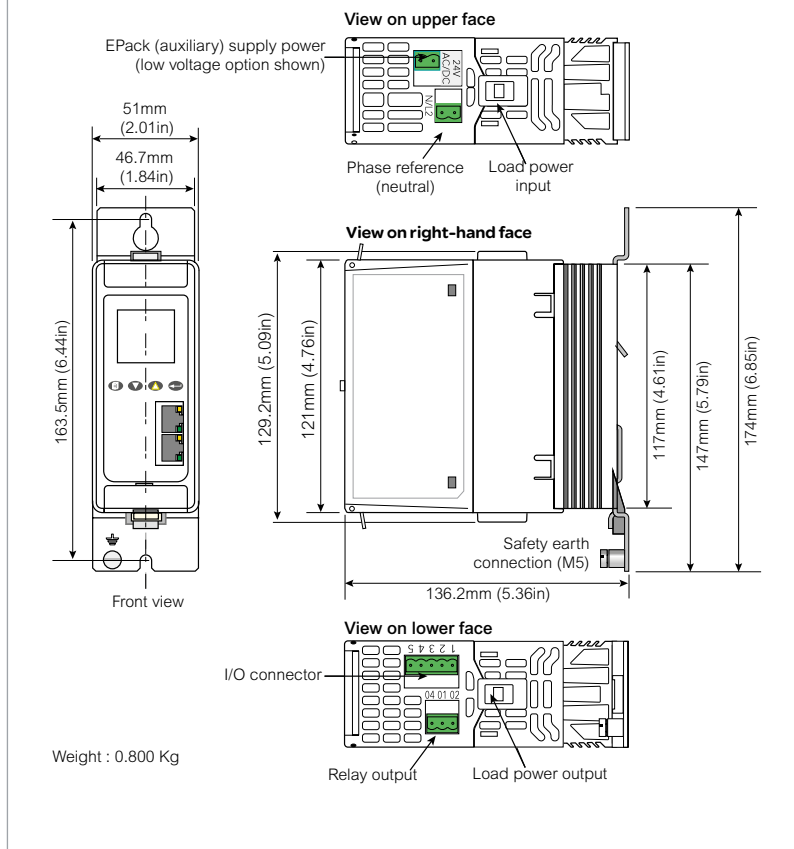
Control	
Auxillary power supply	100V to 500V +10%/–15% or 24 ac/dc (±20%)
Control setpoint	Analogue or logic input or digital comms
Analogue input signal	
Voltage	Range: 0-5V, 1-5 V, 0-10V or 2-10V Impedance: 140 k Ohms typical (0-10V signal)
Current	Range: 0-20mA or 4-20mA Input resistance: 100 ohms to allow for three units wired in series to be driven from a single controller's analogue output
Resolution	11 bits
Linearity	±0.1% of Scale
Firing mode	Phase angle, Intelligent Half cycle, Variable Modulation Burst firing (Default 16 cycles), Fix modulation period (default 2 seconds), Logic mode
Control mode	V ² control, I ² control, True Power control, Open loop with feed forward and Trim modes, Threshold limit or by transfer V ² <-> I ² or P<-> I ²
Two digital inputs	Both configurable (input 1 enable by default)
Voltage inputs	Active level (high): 4.4V<Vin<30V Non-active level (low): -30V<Vin<2.3V Input impedance: 27kΩ (typ.) for voltage input mode
Contact closure inputs	Source current: 10mA min; 15mA max Open contact (non active) resistance: >500Ω Closed contact (active) resistance: <150ohms Absolute Maximum ±30V or ±25mA
One Alarm Relay	Changeover relay 2A rms - 264V rms normally energised. (250V rms max for UL) This relay will be de-energised in case of serious alarms: short circuit thyristor, open circuit, fuse blown, missing main, chop off and networkdrips

Communications	
Connection	Dual port Ethernet - RJ45 Integral switch
Protocols	Modbus TCP, Ethernet IP or Profinet
Baud rate	10/100 full or half duplex

Display	
Technology	TFT
Size	1.5"
Messages	Messages for configuration, monitoring and diagnostics

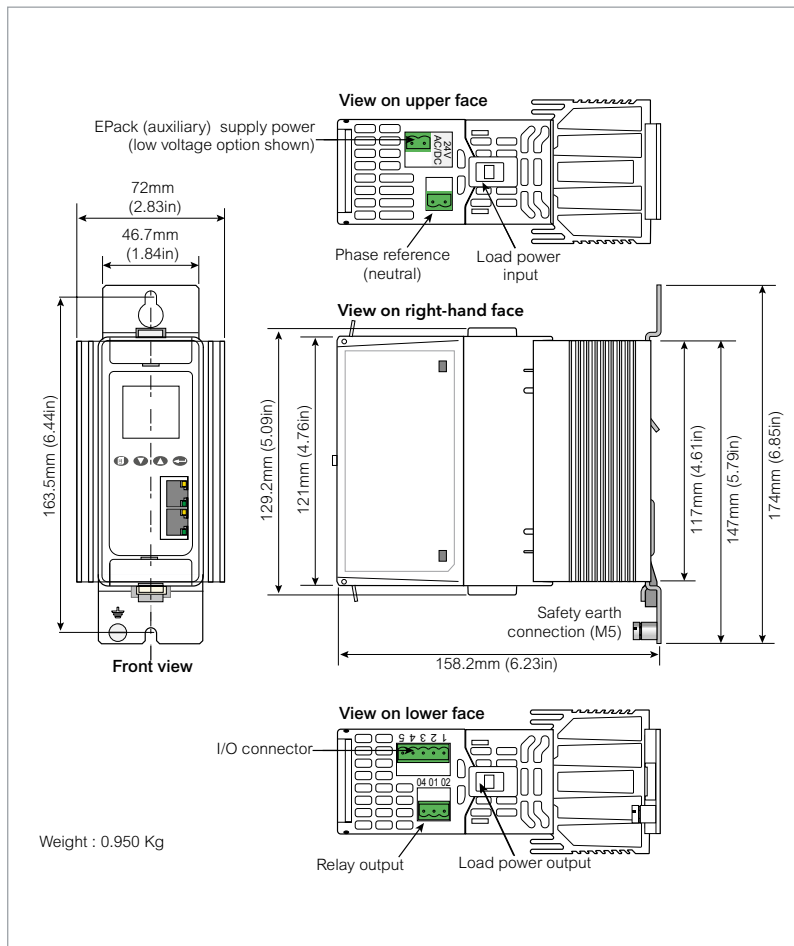
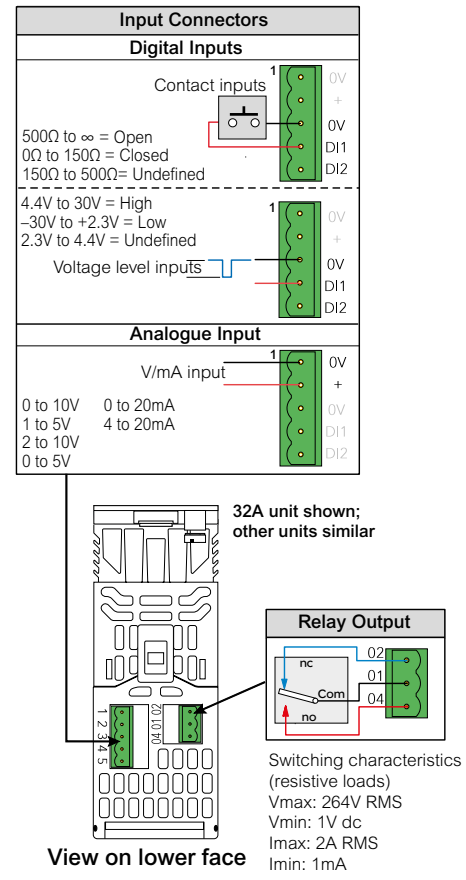
Mechanical details

16A to 32A & 40A to 63A

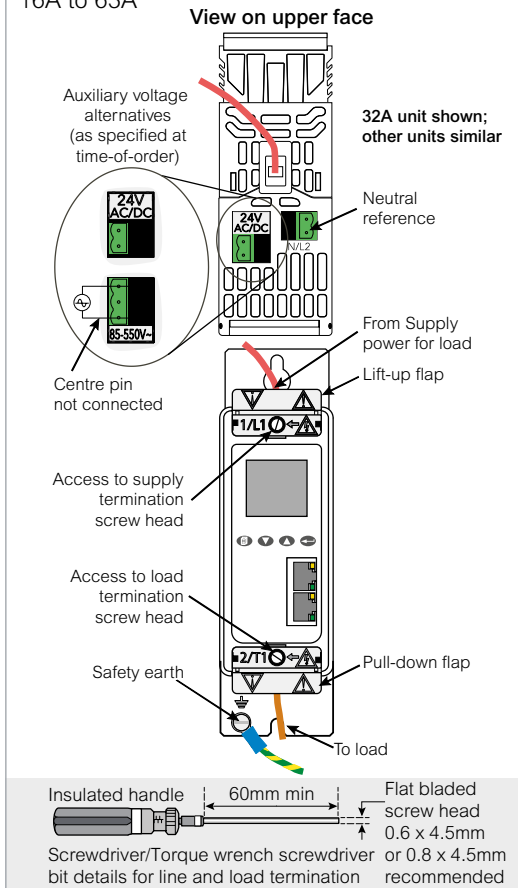


Connector details (pinout)

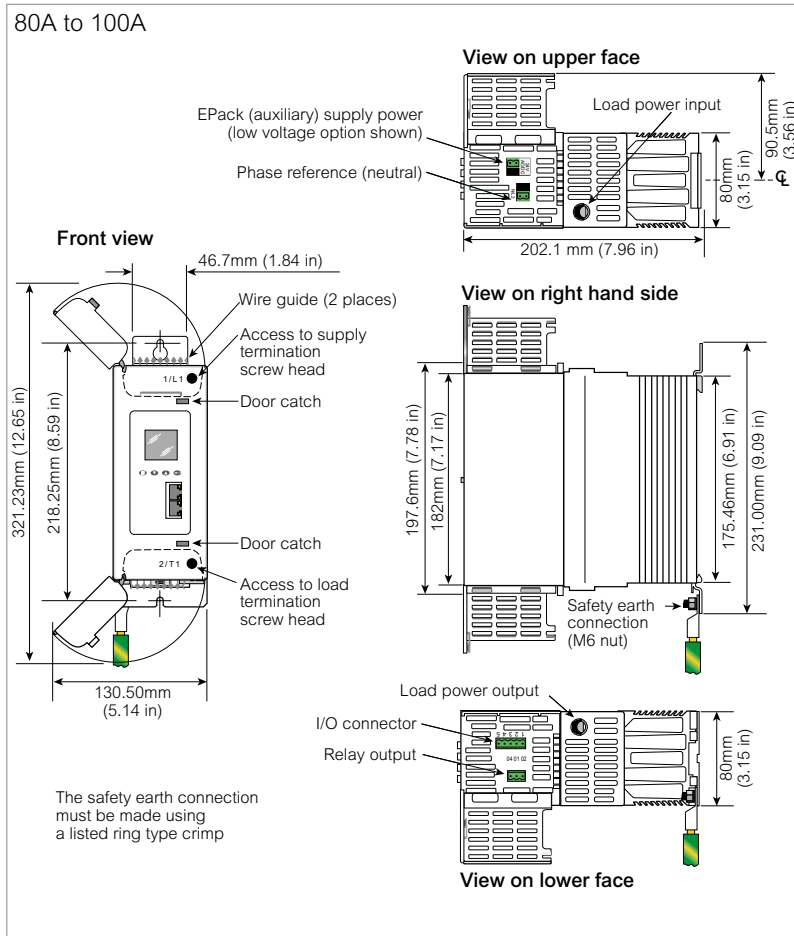
I/O Details



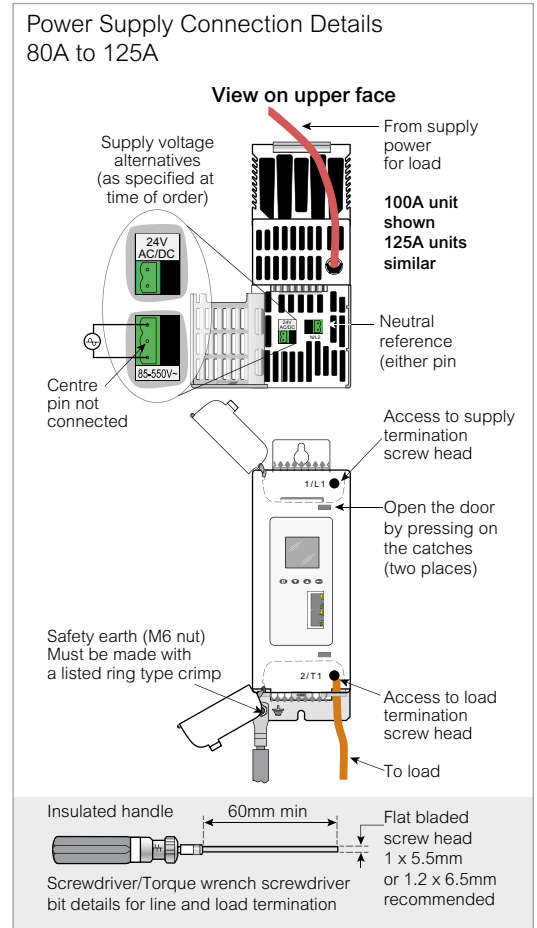
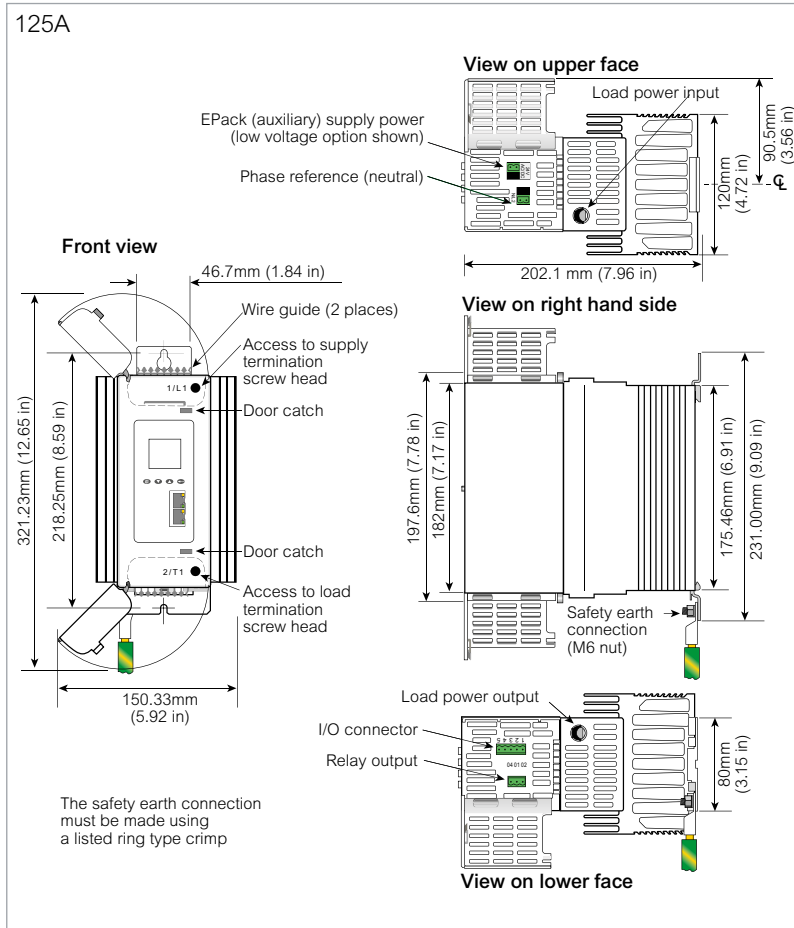
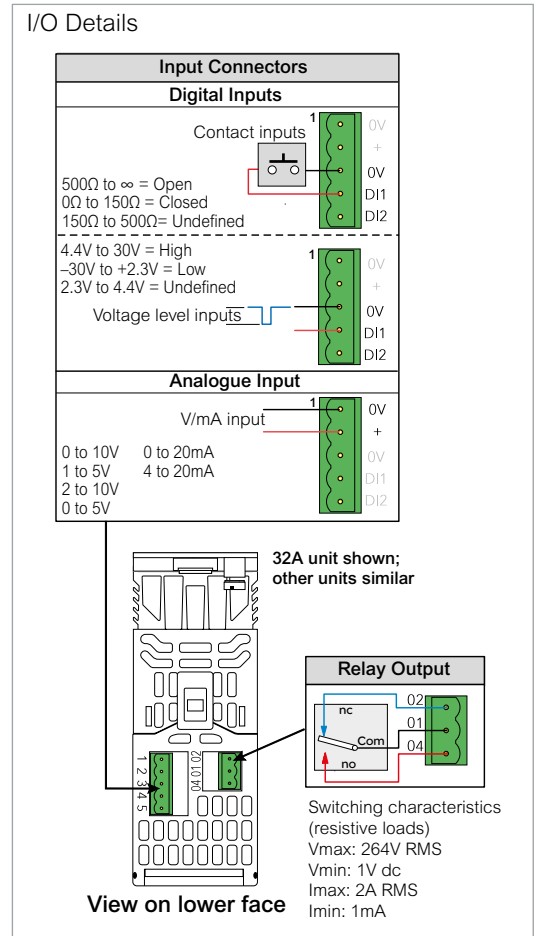
Power supply details
16A to 63A



Mechanical details



Connector details (pinout)



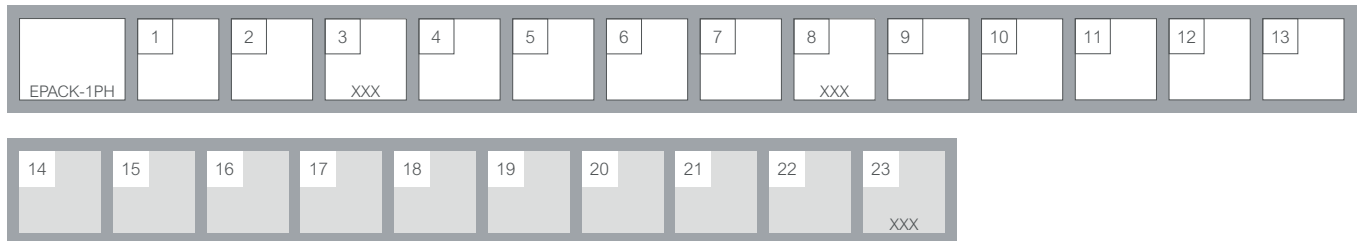
Order Codes

The EPack power controller is ordered using a short code for hardware and chargeable software options and an optional extended code section configuration of commissioning options.

If the extended code is not used, the software configuration is completed using a quick start procedure or using Eurotherm iTools software.

EPack controllers may be upgraded with additional chargeable options at any time using a software key order code.

Product coding



Model	
EPACK-1PH	Power Controller
1 Maximum current	
16A	16 amps
25A	25 amps
32A	32 amps
40A	40 amps
50A	50 amps
63A	63 amps
80A	80 amps
100A	100 amps
125A	125 amps
2 Auxillary Power Supply	
500V	500V max
24V	24V ac/dc
3 Reserved	
XXX	Reserved
4 Control Option	
V2	V ² control (standard)
I2	I ² control
V2CL	V ² with current limitation by threshold
PWRCL	Power control with current limit
5 Transfer Option	
XXX	-
TFR	I ² Transfer
6 Energy Option	
XXX	-
EMS	Energy measurement

7 Comms Option	
TCP	Modbus TCP (standard)
IP	Ethernet/IP
PN	Profinet
8 OEM security	
XXX	-
OEM	OEM security
9 Warranty	
XXX	Standard Warranty
WL005	5 Year Warranty
USWL3	US Extended Warranty
10 Custom Labelling	
XXX	Standard (Eurotherm)
FXXXX	Special Label
11 Graphical wiring	
XXX	Standard configuration (no graphical edition)
GWE	Graphical Wiring Editor
12 Fuse	
XXX	Without fuse
HSP	High speed fuse without microswitch
HSM	High speed fuse with microswitch
13 Configuration	
XXXXX	Default
LC	Long code

Optional configuration	
14 Nominal load current	
nnnA	1 - Value field 1
15 Nominal line voltage	
100V	100 volts
110V	110 volts
115V	115 volts
120V	120 volts
127V	127 volts
200V	200 volts
208V	208 volts
220V	220 volts
230V	230 volts
240V	240 volts
277V	277 volts
380V	380 volts
400V	400 volts
415V	415 volts
440V	440 volts
460V	460 volts
480V	480 volts
500V	500 volts
16 Load type	
XX	Resistive
TR	Transformer primary
17 Heater type	
XX	Resistive
CSI	Silicon Carbide
SWIR	Short Wave Infra-Red
18 Firing mode	
PA	Phase angle
IHC	Intelligent half cycle
BF	Variable Modulation
	Burst firing (default 16 cycles)
FX	Fix modulation period (default 2 seconds)
LGC	Logic mode
19 Analog Input Function	
XX	None
SP	Setpoint
HR	Setpoint limit
IL	Current limit
TS	Current transfer span
20 Analog input type	
0V	0-10 volts
1V	1-5 volts
2V	2-10 volts
5V	0-5 volts
0A	0-20 mA
4A	4-20mA
21 Digital Input 2 Function	
XX	None
AK	Alarm acknowledgement
RS	Remote setpoint selection
SP	Digital setpoint
FB	Fuse blown
22 Digital Input 1 Function	
XXX	Reserved
EN	Enable

Software upgrade options



1 Serial number instrument	
nnnn	Serial number

2 Current ratings	
XXX	No change
16A-25A	Upgrade 16A to 25A
16A-32A	Upgrade 16A to 32A
25A-32A	Upgrade 25A to 32A
40A-50A	Upgrade 40A to 50A
40A-63A	Upgrade 40A to 63A
50A-63A	Upgrade 50A to 63A
80A-100A	Upgrade 80A to 100A

3 Control option	
XXX	no change
V2-V2CL	Upgrade V ² to V ² CL
V2-PWRCL	Upgrade V ² to PWRCL
V2CL-PWRCL	Upgrade I ² to PWR

4 Transfer option	
XXX	No change
TFR	I ² Transfer

5 Energy option	
XXX	No change
TFR	Energy measurement

6 Comms option	
XXX	No change
IP	Ethernet/IP
PN	Profinet

7 Graphical wiring	
XXX	No change
GWE	Graphical wiring editor

8 OEM security	
XXX	No change
OEM	OEM security