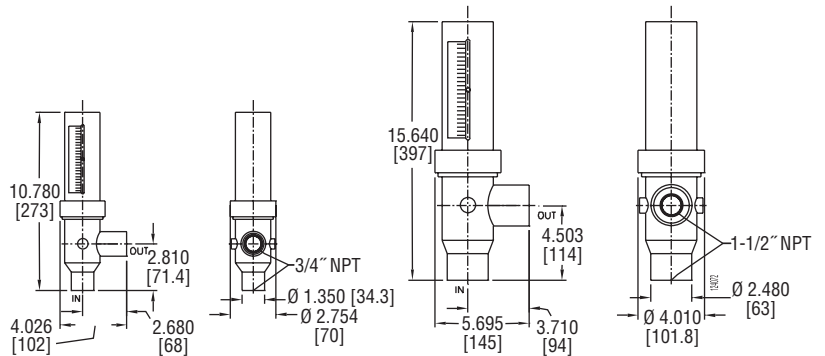


ALL METAL FLOWMETERS

Available in Stainless Steel for Industrial Environments



3/4" Models

1-1/2" Models

The **SERIES SSM** Metal Flowmeters are rugged, general purpose industrial flowmeters with a direct reading scale and $\pm 2\%$ accuracy. These meters are of T316SS construction and offered in 3/4" and 1-1/2" process connections.

FEATURES/BENEFITS

- Increased compatibility with an internal magnet that moves the external flow indicator in a non-wetted enclosure
- Easily disassembled without the meter being removed from the pipeline for easy cleaning
- Pipe adaptors may be used to adapt to alternate size liner without altering accuracy
- Higher than typical $\pm 2\%$ accuracy on a 25 to 1 ratio range compared to typical variable area ball float flowmeters

APPLICATIONS

- Dirty or opaque fluids
- High temperature & pressure industrial flow
- Harsh environments
- Coolant lines
- Compressed gases

SPECIFICATIONS

Service: Compatible liquids and gases.
Wetted Material: T316 SS, Alnico magnet, FKM O-ring.
Temperature Limits: 300°F (149°C).
Pressure Limits: 3/4" models: 1000 psig (68.9 bar) @ 250°F (121°C), 1-1/2" models: 800 psig (55 bar) @ 250°F (121°C).
Accuracy: $\pm 2\%$ FS.
Repeatability: $\pm 0.5\%$ of indicated flow rate.
Process Connections: 3/4" or 1-1/2" female NPT.
Scale Length: 3/4" models: 3.2" (8 cm); 1-1/2" models: 5.2" (13 cm).
Weight: 3/4" models: 5 lb (2.3 kg); 1-1/2" models: 13 lb (5.9 kg).

MODEL CHART			
316 SS Body	Range	Connection	Max. Pressure Loss
SSM-00	0.2 to 5.4 GPM water (0.75 to 21 LPM)	3/4"	17.2 in w.c.
SSM-01	0.2 to 10 GPM water (1 to 35 LPM)	3/4"	22.0 in w.c.
SSM-02	0.5 to 23 GPM water (0.5 to 90 LPM)	3/4"	75.0 in w.c.
SSM-03	0.5 to 35 GPM water (2 to 130 LPM)	1-1/2"	18.5 in w.c.
SSM-04	1 to 50 GPM water (8 to 200 LPM)	1-1/2"	26.0 in w.c.
SSM-05	2 to 70 GPM water (2 to 265 LPM)	1-1/2"	80.0 in w.c.
SSM-06	4 to 120 GPM water (15 to 450 LPM)	1-1/2"	130.0 in w.c.
SSM-07	2 to 50 SCFM air (4 to 85 m ³ /hr)	3/4"	4.5 in w.c.
SSM-08	6 to 125 SCFM air (10 to 210 m ³ /hr)	3/4"	11.8 in w.c.
SSM-09	4 to 260 SCFM air (10 to 440 m ³ /hr)	3/4"	93.0 in w.c.
SSM-10	2 to 310 SCFM air (10 to 530 m ³ /hr)	1-1/2"	12.0 in w.c.
SSM-11	10 to 515 SCFM air (20 to 880 m ³ /hr)	1-1/2"	40.0 in w.c.
SSM-12	35 to 750 SCFM air (40 to 1300 m ³ /hr)	1-1/2"	70.0 in w.c.
SSM-13	20 to 1000 SCFM air (40 to 1700 m ³ /hr)	1-1/2"	90.0 in w.c.