

Type 1036 In-Line Sanitary Pressure Gauge Type 1037 Sanitary Instrument Fitting



Each part sold separately



Available
(See Note)

FEATURES

Type 1036 Sanitary Gauge

- All-welded stainless steel wetted surfaces
- Field liquid-fillable gauge case
- True Zero™ pointer indication
- PowerFlex™ movement for extended life
- Easy Zero™ external pointer adjustment standard
- Retrofits Anderson Instrument CPM design

Type 1037 Fitting

- Pipe O.D. sizes from 1/2" thru 2"
- 316L SS
- Electropolished 12-20RA internal surface finish
- Heat number of wetted materials stamped on each fitting
- Actual material certificates and certificate of conformance supplied as standard to EN 10204:2004 3.1
- Both 1036 and 1037 are 3A-74 compliant

Note: XLL Plus!™ design is not recommended for gauges expected to be exposed to temperatures over 200°F (93°C). This includes gauges subject to autoclaving.

Designed specifically for the pharmaceutical, biotechnology and food processing markets, the Ashcroft® Type 1036 in-line sanitary pressure gauge and Type 1037 sanitary instrument fitting virtually eliminate process dead-leg. The design of the Type 1036 sanitary gauge and 1037 instrument fitting allows for the diaphragm of the gauge to be positioned flush with the gauge instrument fitting, eliminating the pocket or deadleg that may cause contamination.

The Type 1036 sanitary gauge and Type 1037 instrument fitting utilize a standard 1 1/2" Tri-Clamp connection and clamp. This feature offers flexibility to use the Ashcroft Type 1036 with the Type 1037 instrument fitting on sanitary instrument fittings for pipe sizes from 1/2" thru 2".

The Ashcroft Type 1036 sanitary pressure gauge and 1037 fitting can be autoclaved or sterilized⁽¹⁾, and cleaned (CIP) or steamed in place (SIP). The gauge comes standard with True Zero pointer indication. Since the Type 1036 has no dial stop pin, the gauge pointer always indicates a true reading.

⁽¹⁾ Optional polysulfone window required.

HOW TO ORDER 1036 (Typical example)

35 1036 S L 15 L XXX 100#

Dial Size: 3 1/2" _____

Case Type: _____

System Mat'l: Stainless Steel _____

Fill: (L) Glycerin _____

Connection Size: 1.5" seal _____

Connection Location: Lower _____

X Variations _____

Range _____

HOW TO ORDER 1037 (Typical example) Please use part number reference below

Size	Product Code	Part Number To Order
1/2"	50 1037	292C139-01
3/4"	75 1037	292C139-02
1"	10 1037	292C139-03
1 1/2"	15 1037	292C139-04
2"	20 1037	292C139-05

Type 1036 In-Line Sanitary Pressure Gauge Type 1037 Sanitary Instrument Fitting

SPECIFICATIONS - Type 1036

Dial Size: 3/2" (only)

Accuracy: 1.5% F.S. for pressure ranges 100 psi and above. 2.0% F.S. for vacuum, compound and ranges below 100 psi.

Case & Ring Material: 304 series stainless steel

Ring Type: Bayonet, removable

Bourdon Tube and Socket Material:
316L stainless steel

Diaphragm Material & Surface Finish:
316L stainless steel, 12 to 20RA

Diaphragm O-Ring: Buna-N⁽¹⁾ (standard)
Viton^{®(1)} (XVD)

Connection Location: Lower only

System Fill: USP food grade glycerin

Window Material: Polycarbonate

Pointer: Black-painted aluminum with external zero adjust (Easy Zero™)

Dial: White with black markings

Movement: 300 series stainless steel

Agency Approvals: 3A compliance to sanitary standard 74

Ranges: 15# thru 600#, including compound & vacuum

Clean or Steam in Place: (CIP or SIP):
Temperature limit of 200°F (138°C)

Autoclave or Sterilize⁽¹⁾: Temperature limit of 300°F (149°C) when supplied with polysulfone window

A polysulfone window for autoclave/sterilization must be provided. Specify the XPS variation.

SPECIFICATIONS - Type 1037 CODE

316L stainless steel construction std.

Wetted parts electropolished to 12 to 20RA surface finish std.

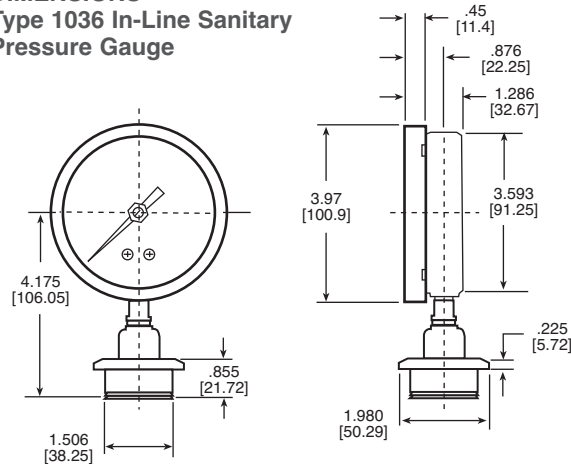
Heat number stamped on fitting std.

To Ensure Cleanliness:

Prior to reinstalling the Type 1036 in to the Type 1037 instrument fitting, we recommend replacing the O-ring (P/N 185A106-75) Buna-N
185A106-76 Viton

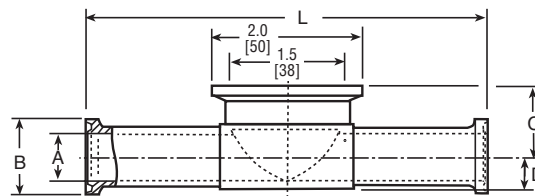
(1) XLL *Plus!*™ design is not recommended for gauges expected to be exposed to temperatures over 200°F (93°C). This includes gauges subject to autoclaving.

DIMENSIONS - Type 1036 In-Line Sanitary Pressure Gauge



Note: The 1036 sanitary gauge fits into all sizes of the 1037 fitting.

DIMENSIONS - Type 1037 Instrument Fitting



Inch/mm	A	B	C	D	L
1/2"	.38	.98	.81	.31	5.25
50	(9.6)	(24.9)	(20.6)	(7.9)	(133.4)
3/4"	.63	.98	.93	.43	5.25
75	(15.9)	(24.9)	(23.6)	(10.9)	(133.4)
1"	.87	1.98	1.05	.55	4.75
10	(22.1)	(50.4)	(26.7)	(14.1)	(120.7)
1 1/2"	1.37	1.98	1.31	.81	5.50
15	(34.7)	(50.4)	(33.3)	(20.6)	(139.7)
2"	1.86	2.51	1.56	1.06	7.00
20	(47.2)	(62.8)	(39.6)	26.9)	177.8)

Note: Mounting any of these models in other than a vertical position could cause non-compliance with 3A-74.