

ATX™ MS Series Motor Starters

Flameproof

ATEX/IECEX:
Zone 1 and 2 - 21 and 22
 Ⓜ II 2 GD
 IP66 - IK10

Applications

- These motor starters are used in areas where hazardous material are handled or stored. These units provide:
 - Disconnecting means
 - Undervoltage protection
 - Circuit protection
 - Motor running protection
 - Thermal time delay overload protection

Features

- Magnetic circuit breaker protects equipment and personnel and eliminates replacement of fuses.
- Three pole contactor.
- Thermal overload relay with manual reset push button.
- Green pilot light "Running/ON".
- Rated voltage 400/415 Vac 50/60 Hz AC-3 category.
- Control circuit supplied via a transformer fed between phases.
- Direct entries or indirect entries with Ex e box allows use of cable gland with elastomer seal.
- Type 2 coordinated protection (IEC 60947-4-1) has the following benefits:
 - Safety - limiting the energy delivered to the short circuit ensures the safest applications for personnel, facilities and equipment.
 - Reduced costs - preventing short circuit damage to components minimizes labor and replacement costs.
 - Increased productivity - as component replacement due to short circuits is minimized, so are interruptions to production.
- Direct ammeter for 0.37 kW to 2.2 kW versions. Ammeter with current transformer for 3 kW to 75 kW versions.

Standard Materials

- Body and cover:
 - Gray painted marine grade aluminum alloy (RAL 7038)
 - Cover bolts: stainless steel
 - Hinges: stainless steel
- Ex e box for indirect entries:
 - Gray (RAL 7038) painted aluminum alloy (size 2 and 6) or stainless steel (size 8 and 11)
 - Cover bolts: stainless steel

Standard Finish

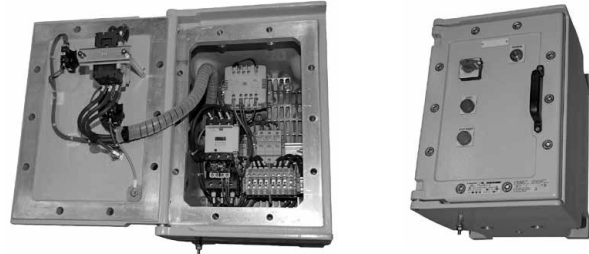
- Corrosion resistant gray powder coat epoxy

Options

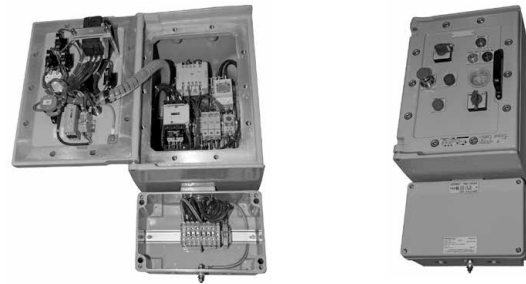
- Available up to 300 kW - contact your local representative.

ATEX/IECEX Certifications and Compliances

- Certification Type CF
 - Gas: Zone 1 and 2
 - Conforming to ATEX 94/9/CE: Ⓜ II 2 G
 - Type of Protection: Ex d IIB
 - Temperature Class: T6
 - Dust: Zone 21 and 22
 - Conforming to ATEX 94/9/CE: Ⓜ II 2 D
 - Type of Protection: Ex tD A21
 - Surface Temperature: T80 °C (T176)
 - Ambient Temperature: CF 60: -50 °C to +55 °C (-58 °F to +131 °F); CF 20, 40, 50: -40 °C to +55 °C (-40 °F to +131 °F); CF 30: -20 °C to +55 °C (-4 °F to +131 °F)



Ex d Version



Ex de Version

- CE Declaration of Conformity: 50229
- ATEX Certificate: LCIE 02 ATEX 6057X
- IECEX Certificate: IECEX LCI 08.0023X
- Index of Protection according EN/IEC 60529: IP66
- Impact Resistance (shock): IK10
- Internal Volume: > 2 dm³ (122 in³) - 2 liters

EURASEC Certification

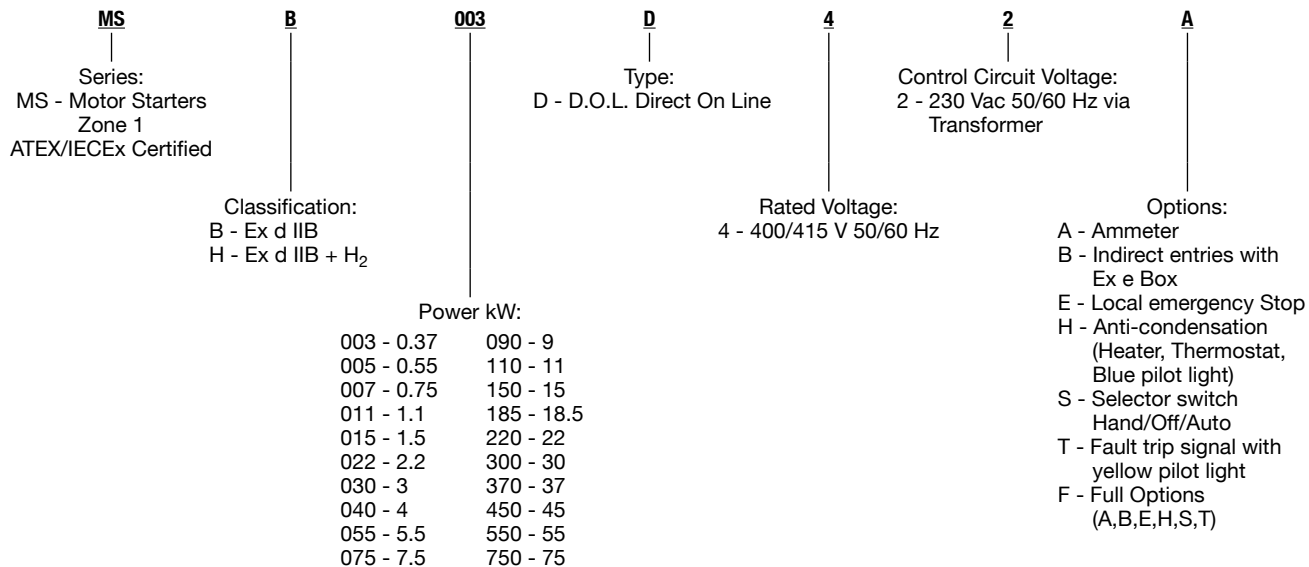
- EURASEC RU C-FR. Г505.B.00911

ATX™ MS Series Motor Starters

Flameproof

ATEX/IECEX:
 Zone 1 and 2 - 21 and 22
 II 2 GD
 IP66 - IK10

Catalog Numbering Guide



CONTROLS: ATEX/IECEX FLAMEPROOF MOTOR STARTERS



ATX™ MS Series Motor Starters

Flameproof

ATEX/IECEX:
Zone 1 and 2 - 21 and 22
II 2 GD
IP66 - IK10

CONTROLS: ATEX/IECEX FLAMEPROOF MOTOR STARTERS



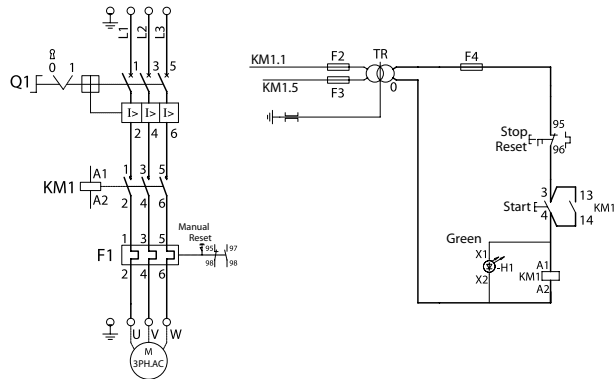
Motor Capacity AC-3 to 415 Vac	Size	Terminals Cross Section mm ² (in ²)	Cable Entries at Bottom	Weight kg (lb)	Volume dm ³ (in ³)	Catalog Number
Standard Version						
<i>Fitted with magnetic circuit breaker, contactor with overload relay, Start/Stop buttons and green pilot light. (1 x M20 plugged).</i>						
0.37 kW	1	2.5 (0.004)	2 x M20 + 1 M20	16 (35)	25 (1525.59)	MSB003D42
0.55 kW	1	2.5 (0.004)	2 x M20 + 1 M20	16 (35)	25 (1525.59)	MSB005D42
0.75 kW	1	2.5 (0.004)	2 x M20 + 1 M20	16 (35)	25 (1525.59)	MSB007D42
1.1 kW	1	2.5 (0.004)	2 x M20 + 1 M20	16 (35)	25 (1525.59)	MSB011D42
1.5 kW	1	2.5 (0.004)	2 x M20 + 1 M20	16 (35)	25 (1525.59)	MSB015D42
2.2 kW	1	2.5 (0.004)	2 x M20 + 1 M20	16 (35)	25 (1525.59)	MSB022D42
3 kW	1	2.5 (0.004)	2 x M20 + 1 M20	16 (35)	25 (1525.59)	MSB030D42
4 kW	1	2.5 (0.004)	2 x M20 + 1 M20	16 (35)	25 (1525.59)	MSB040D42
5.5 kW	5	4.0 (0.006)	2 x M25 + 1 M20	56 (123)	126 (7688.99)	MSB055D42
7.5 kW	5	6.0 (0.009)	2 x M25 + 1 M20	56 (123)	126 (7688.99)	MSB075D42
9 kW	5	10.0 (0.016)	2 x M25 + 1 M20	56 (123)	126 (7688.99)	MSB090D42
11 kW	5	10.0 (0.016)	2 x M25 + 1 M20	56 (123)	126 (7688.99)	MSB110D42
15 kW	5	16.0 (0.025)	2 x M32 + 1 M20	56 (123)	126 (7688.99)	MSB150D42
18.5 kW	7	25.0 (0.039)	2 x M32 + 1 M20	72 (159)	236 (14401.60)	MSB185D42
22 kW	7	25.0 (0.039)	2 x M32 + 1 M20	72 (159)	236 (14401.60)	MSB220D42
30 kW	7	35.0 (0.054)	2 x M40 + 1 M20	72 (159)	236 (14401.60)	MSB300D42
37 kW	9	50.0 (0.078)	2 x M40 + 1 M20	132 (291)	370 (22578.79)	MSB370D42
45 kW	9	70.0 (0.109)	2 x M50 + 1 M20	132 (291)	370 (22578.79)	MSB450D42
55 kW	9	95.0 (0.147)	2 x M50 + 1 M20	132 (291)	370 (22578.79)	MSB550D42
75 kW	9	120.0 (0.189)	2 x M63 + 1 M20	132 (291)	370 (22578.79)	MSB750D42
Full Options Version						
<i>Standard version + HOA selector switch, local emergency stop, fault trip signal, ammeter, anti-condensation and indirect entries. (1 x M20 plugged).</i>						
0.37 kW	4	2.5 (0.004)	2 x M20 + 1 x M20	51 (112)	700 (42716.62)	MSB003D42F
0.55 kW	4	2.5 (0.004)	2 x M20 + 1 x M20	51 (112)	700 (42716.62)	MSB005D42F
0.75 kW	4	2.5 (0.004)	2 x M20 + 1 x M20	51 (112)	700 (42716.62)	MSB007D42F
1.1 kW	4	2.5 (0.004)	2 x M20 + 1 x M20	51 (112)	700 (42716.62)	MSB011D42F
1.5 kW	4	2.5 (0.004)	2 x M20 + 1 x M20	51 (112)	700 (42716.62)	MSB015D42F
2.2 kW	4	2.5 (0.004)	2 x M20 + 1 x M20	51 (112)	700 (42716.62)	MSB022D42F
3 kW	4	2.5 (0.004)	2 x M20 + 1 x M20	51 (112)	700 (42716.62)	MSB030D42F
4 kW	4	2.5 (0.004)	2 x M20 + 1 x M20	51 (112)	700 (42716.62)	MSB040D42F
5.5 kW	6	4.0 (0.006)	2 x M25 + 1 x M20	62 (137)	700 (42716.62)	MSB055D42F
7.5 kW	6	6.0 (0.009)	2 x M25 + 1 x M20	62 (137)	700 (42716.62)	MSB075D42F
9 kW	6	10.0 (0.016)	2 x M25 + 1 x M20	62 (137)	700 (42716.62)	MSB090D42F
11 kW	6	10.0 (0.016)	2 x M25 + 1 x M20	62 (137)	700 (42716.62)	MSB110D42F
15 kW	6	16.0 (0.025)	2 x M32 + 1 x M20	62 (137)	700 (42716.62)	MSB150D42F
18.5 kW	8	25.0 (0.039)	2 x M32 + 1 x M20	81 (179)	700 (42716.62)	MSB185D42F
22 kW	8	25.0 (0.039)	2 x M32 + 1 x M20	81 (179)	700 (42716.62)	MSB220D42F
30 kW	8	35.0 (0.054)	2 x M40 + 1 x M20	81 (179)	700 (42716.62)	MSB300D42F
37 kW	10	50.0 (0.078)	2 x M40 + 1 x M20	145 (320)	700 (42716.62)	MSB370D42F
45 kW	10	70.0 (0.109)	2 x M50 + 1 x M20	145 (320)	700 (42716.62)	MSB450D42F
55 kW	10	95.0 (0.147)	2 x M50 + 1 x M20	145 (320)	700 (42716.62)	MSB550D42F
75 kW	10	120.0 (0.189)	2 x M63 + 1 x M20	145 (320)	700 (42716.62)	MSB750D42F

ATX™ MS Series Motor Starters

Flameproof

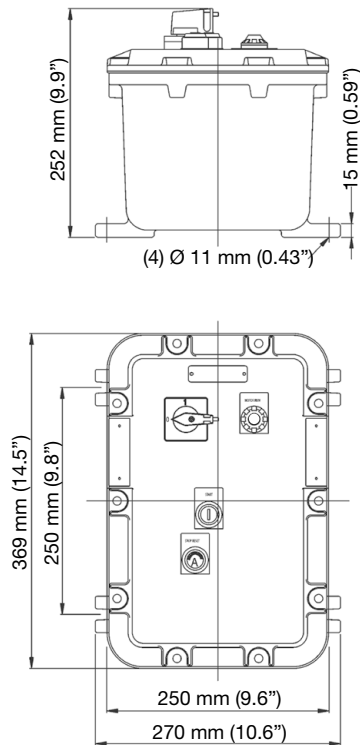
ATEX/IECEX:
 Zone 1 and 2 - 21 and 22
 II 2 GD
 IP66 - IK10

Wiring Diagram

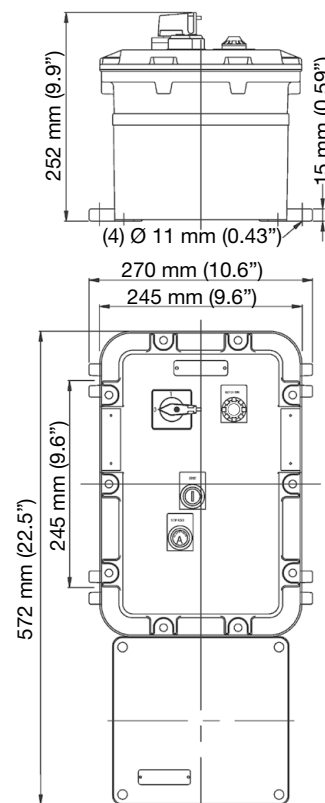


Dimensions in Millimeters (Inches)

Size 1: CF20B



Size 2: CF20B + CAe1



CONTROL S: ATEX/IECEX FLAMEPROOF MOTOR STARTERS



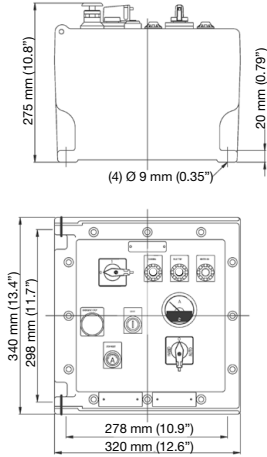
ATX™ MS Series Motor Starters

Flameproof

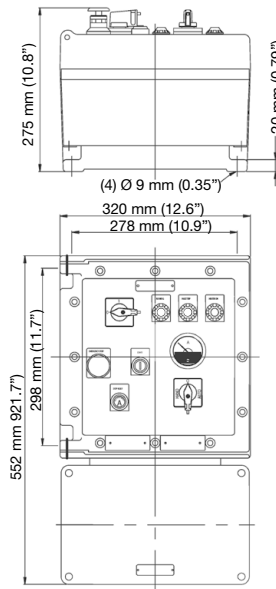
ATEX/IECEX:
 Zone 1 and 2 - 21 and 22
 II 2 GD
 IP66 - IK10

Dimensions in Millimeters (Inches)

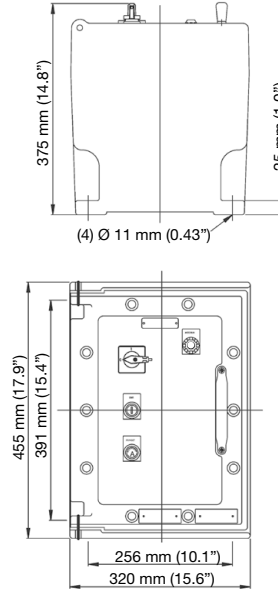
Size 3: CF30B



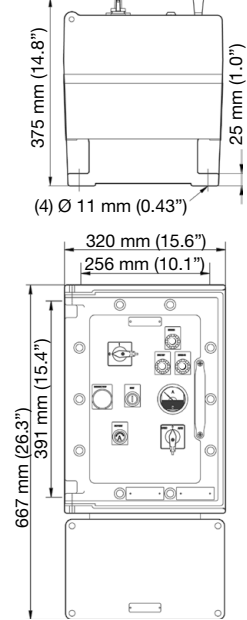
Size 4: CF30B + CAe2



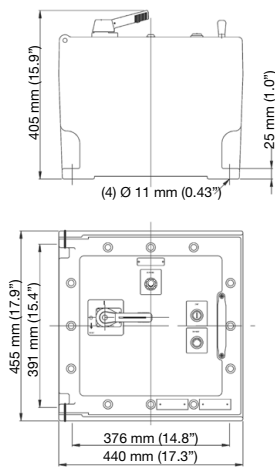
Size 5: CF40B



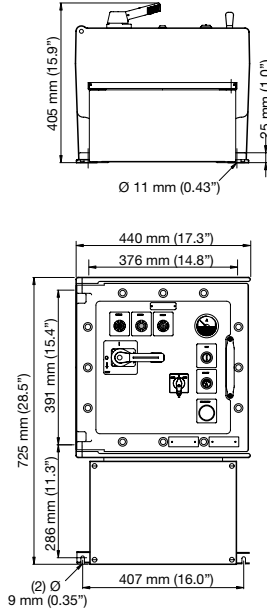
Size 6: CF40B + CAe2



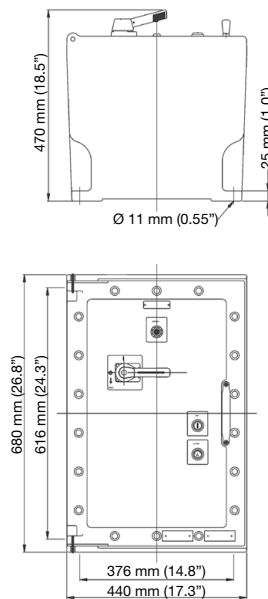
Size 7: CF50B



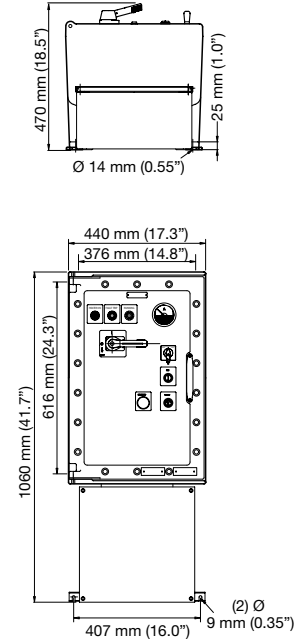
Size 8: CF50B + JBe47



Size 9: CF60B



Size 10: CF60B + JBe55



CONTROLS: ATEX/IECEX FLAMEPROOF MOTOR STARTERS

