

# ROC800-Series Discrete Output Relay Module

The Discrete Output Relay (DOR) module for the ROC800-Series Remote Operations Controller (ROC800) enables the ROC800 to control various discrete output field devices.

The DOR module provides five channels of discrete outputs and uses mechanical (SPST) latching relays that provide a set of normally-open dry contacts capable of switching 2 A at 32 Vdc across the complete operating temperature. Each channel can be software configured as latched, toggled, momentary, or Timed Duration Output (TDO). The DOR can be configured to either retain the last value or set to a user-specified value on reset. Light-emitting diodes (LEDs) indicate the current status for each channel of the module.

The fuses have been eliminated on the Input/Output (I/O) modules through the extensive use of current-limiting short-circuit protection and surge protection techniques. This results in less maintenance for remote locations. The modules are self-resetting after a fault clears.

The DOR module provides isolation from other modules and the backplane and has an integrated short-circuit protected isolated power supply. This power supply allows the field

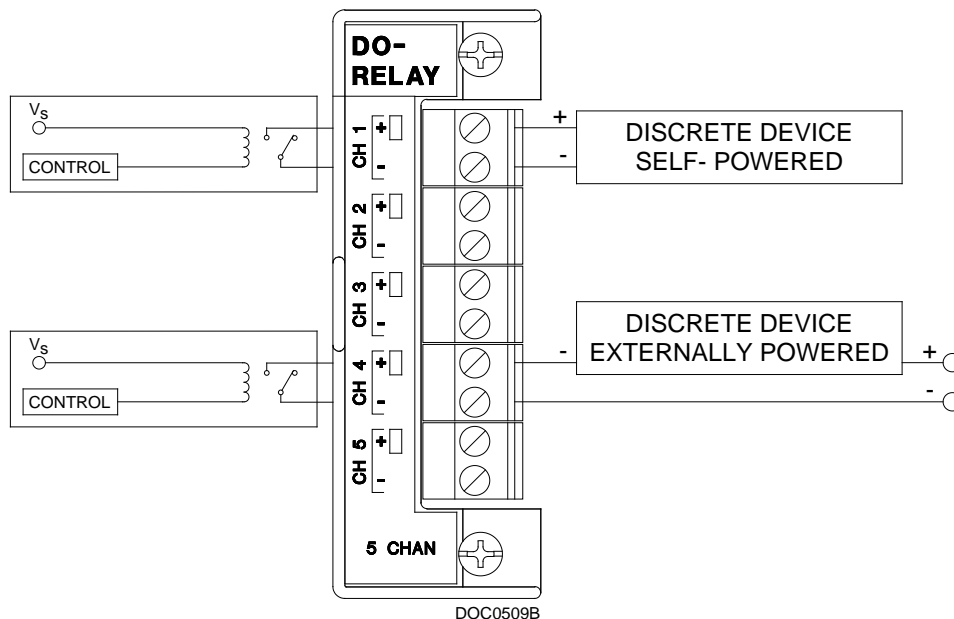
circuitry to be completely isolated from the backplane and the Central Processor Unit (CPU).

## Compatibility and Installation

DOR modules can be installed in any module slot on a ROC800 unit with a Series 1 or Series 2 CPU. The DOR module can easily be installed or removed from the module slots at any time by removing the two captive screws accessible from the front of the unit.

The module is hot-swappable, meaning it can be removed and another module of the same type can be installed under power. The module is also hot-pluggable; it may be installed directly into an unused module slot under power. The DOR module is also self-identifying via ROCLINK™ 800 Configuration Software.

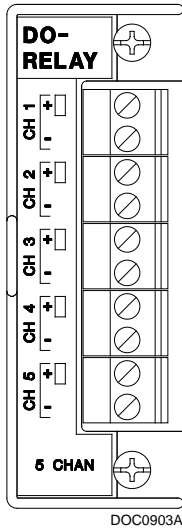
The DOR module has removable terminal blocks for convenient wiring and servicing. The terminal blocks can accommodate a wide range of wire gauges from 12 to 22 American Wire Gauge (AWG).



Discrete Output Relay Wiring

## ROC800-Series Discrete Output Relay Module

### Field Wiring Terminals



Terminal	Label	Definition
1	CH 1+	CH 1 Positive
2	CH 1-	CH 1 Negative
3	CH 2+	CH 2 Positive
4	CH 2-	CH 2 Negative
5	CH 3+	CH 3 Positive
6	CH 3-	CH 3 Negative
7	CH 4+	CH 4 Positive
8	CH 4-	CH 4 Negative
9	CH 5+	CH 5 Positive
10	CH 5-	CH 5 Negative

### Outputs

Quantity	5 Channels
Type	Isolated, mechanical (SPST) latching relay
Contact Rating	0 to 32 Vdc
Maximum Current	2.0 A, @ 32 Vdc per output across complete operating temperature
Minimum Channel Activation Time	48 ms

### Power

Consumption	Main power supply loading at the Battery Terminals (at 12.0 Vdc)		
	No Channels Active	6.8 mA	
	Additional loading that may apply	During Active Transition	150 mA for 10 milliseconds
		Per Active LED	1.5 mA
Isolation	Field to Logic	1500 Vdc, 1 minute minimum	
	Field to Power	1500 Vdc, 1 minute minimum	
	Module to Module	1500 Vdc, 1 minute minimum	

### Physical

Dimensions	26 mm W by 75 mm H by 133 mm D (1.03 in. W by 2.96 in. H by 5.24 in. D)
LEDs	5 green LEDs indicate the status of the channels
Weight	59.0 g (2.08 oz)
Wiring	12 to 22 AWG at the removable terminal block

**Environmental**

Same as the unit in which it is installed.

**Approvals**

Same as the unit in which it is installed.

---

For customer service and technical support, visit [www.EmersonProcess.com/Remote/Support](http://www.EmersonProcess.com/Remote/Support).

**Global Headquarters,  
North America, and Latin America:**

Emerson Automation Solutions  
Remote Automation Solutions  
6005 Rogerdale Road  
Houston, TX 77072 U.S.A.  
T +1 281 879 2699 | F +1 281 988 4445  
[www.EmersonProcess.com/Remote](http://www.EmersonProcess.com/Remote)

**Europe:**

Emerson Automation Solutions  
Remote Automation Solutions  
Unit 8, Waterfront Business Park  
Dudley Road, Brierley Hill  
Dudley UK DY5 1LX  
T +44 1384 487200 | F +44 1384 487258

**Middle East/Africa:**

Emerson Automation Solutions  
Remote Automation Solutions  
Emerson FZE  
P.O. Box 17033  
Jebel Ali Free Zone – South 2  
Dubai U.A.E.  
T +971 4 8118100 | F +971 4 8865465

**Asia-Pacific:**

Emerson Automation Solutions  
Remote Automation Solutions  
1 Pandan Crescent  
Singapore 128461  
T +65 6777 8211 | F +65 6777 0947

© 2008–2016 Remote Automation Solutions, a business unit of Emerson Automation Solutions. All rights reserved.

This publication is for informational purposes only. While every effort has been made to ensure accuracy, this publication shall not be read to include any warranty or guarantee, express or implied, including as regards the products or services described or their use or applicability. Remote Automation Solutions (RAS) reserves the right to modify or improve the designs or specifications of its products at any time without notice. All sales are governed by RAS terms and conditions which are available upon request. RAS accepts no responsibility for proper selection, use or maintenance of any product, which remains solely with the purchaser and/or end-user.