



Main

Range of product	Zelio Relay
Product or component type	Solid state relay
Device short name	SSLM
Network number of phases	1 phase

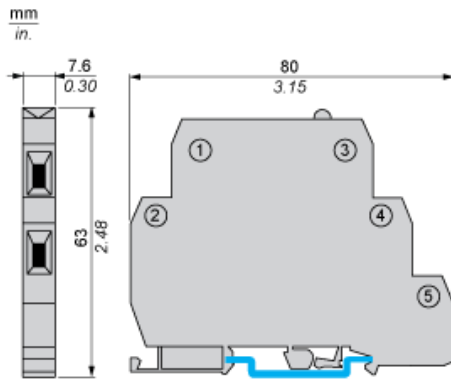
Complementary

Mounting support	Symmetrical DIN rail
[In] rated current	0.1 A
Output voltage	4...28 V DC
Control circuit voltage	90...280 V AC
Contacts type and configuration	1 NO
Tightening torque	0.6...0.8 N.m
Connections - terminals	Screw terminals : 1 x 0.2...1 x 5.26 mm ² (AWG 24...AWG 10)
Switching voltage	90 V AC turn-on
Load current	0.1 A
Voltage drop	0.5 V on-state
Response time	20 ms turn-off 20 ms turn-on
Overvoltage category	III
Width	7.5 mm
Height	80 mm
Depth	63 mm
Product weight	0.03 kg

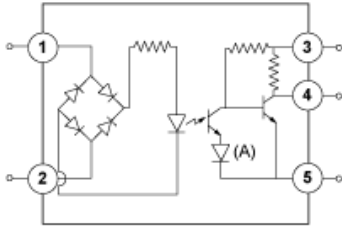
Environment

Dielectric strength	4000 V for input/output
Pollution degree	2
Standards	UL 508 CSA C22.2 No 14 EN 60947-4-3
Product certifications	CSA UL EAC
Marking	CE CSA UL EAC
IP degree of protection	IP20
Ambient air temperature for operation	0...70 °C

Dimensions



Wiring Diagram



- 1,2 : Field VAC
- 3 : Vcc
- 4 : Logic
- 5 : Ground
- (A) LED