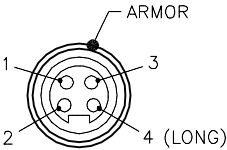
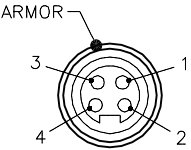
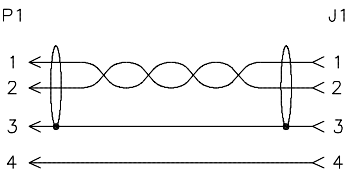
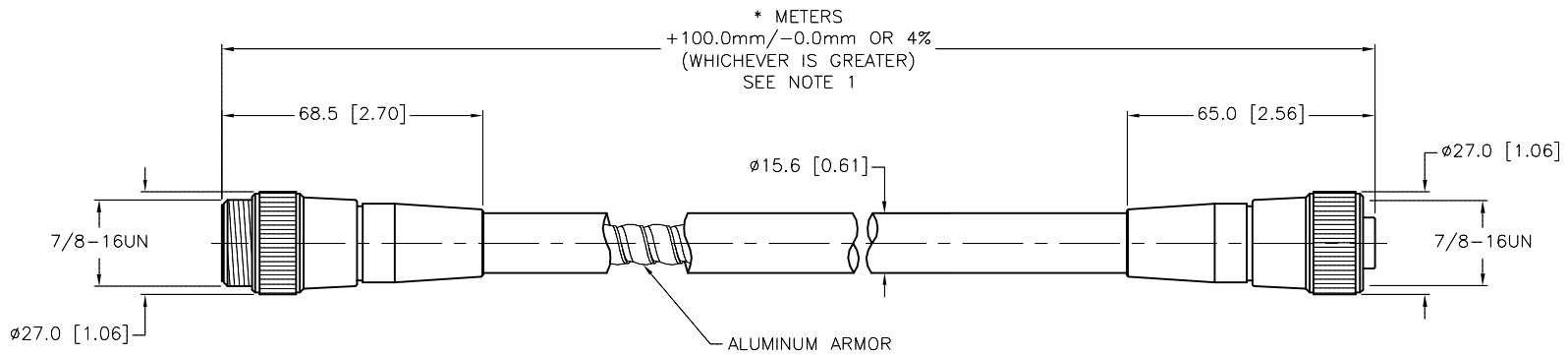
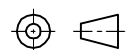


MALE END VIEW	FEMALE END VIEW	WIRING DIAGRAM	SPECIFICATIONS																																	
 <p>1 = BLUE 2 = BROWN 3 = DRAIN 4 = GREEN/YELLOW</p>	 <p>1 = BLUE 2 = BROWN 3 = DRAIN 4 = GREEN/YELLOW</p>		<table border="1"> <tr><td>CONTACT CARRIER MATERIAL</td><td>TPU</td></tr> <tr><td>MOLDED HEAD MATERIAL/COLOR</td><td>TPU/BLACK</td></tr> <tr><td>CONTACT MATERIAL/PLATING</td><td>BRASS/GOLD</td></tr> <tr><td>COUPLING NUT MATERIAL/FINISH</td><td>STAINLESS STEEL/PASSIVATED</td></tr> <tr><td>RATED CURRENT [A]</td><td>9.0 A</td></tr> <tr><td>RATED VOLTAGE [V]</td><td>300 V</td></tr> <tr><td>OUTER JACKET MATERIAL/COLOR</td><td>PVC/PLUM</td></tr> <tr><td>INNER JACKET MATERIAL/COLOR</td><td>PVC/BLACK</td></tr> <tr><td>CONDUCTOR INSULATION MATERIAL</td><td>XLPE (SHLD PAIRS), PVC/NYLON (SINGLE LEAD)</td></tr> <tr><td>NUMBER OF CONDUCTORS [AWG]</td><td>3x18 AWG</td></tr> <tr><td>DRAIN/SHIELD</td><td>20 AWG DRAIN/ALUMINUM FOIL SHIELD</td></tr> <tr><td>ARMOR SHEATH/MATERIAL</td><td>INTERLOCKING/ALUMINUM</td></tr> <tr><td>TEMPERATURE RATING</td><td>-40°C to +105°C (-40°F to +221°F)</td></tr> <tr><td>PROTECTION CLASS</td><td>MEETS NEMA 1,3,4,6P AND IEC IP67</td></tr> <tr><td>CONDUCTOR ARRANGEMENT</td><td>1 SHIELDED TWISTED PAIR, 1 GROUND, 1 DRAIN</td></tr> <tr><td>CABLE RATINGS</td><td>UL: ITC-ER/PLTC-ER, Direct Burial, 105C CSA: ACIC, 90C 300V</td></tr> </table>		CONTACT CARRIER MATERIAL	TPU	MOLDED HEAD MATERIAL/COLOR	TPU/BLACK	CONTACT MATERIAL/PLATING	BRASS/GOLD	COUPLING NUT MATERIAL/FINISH	STAINLESS STEEL/PASSIVATED	RATED CURRENT [A]	9.0 A	RATED VOLTAGE [V]	300 V	OUTER JACKET MATERIAL/COLOR	PVC/PLUM	INNER JACKET MATERIAL/COLOR	PVC/BLACK	CONDUCTOR INSULATION MATERIAL	XLPE (SHLD PAIRS), PVC/NYLON (SINGLE LEAD)	NUMBER OF CONDUCTORS [AWG]	3x18 AWG	DRAIN/SHIELD	20 AWG DRAIN/ALUMINUM FOIL SHIELD	ARMOR SHEATH/MATERIAL	INTERLOCKING/ALUMINUM	TEMPERATURE RATING	-40°C to +105°C (-40°F to +221°F)	PROTECTION CLASS	MEETS NEMA 1,3,4,6P AND IEC IP67	CONDUCTOR ARRANGEMENT	1 SHIELDED TWISTED PAIR, 1 GROUND, 1 DRAIN	CABLE RATINGS	UL: ITC-ER/PLTC-ER, Direct Burial, 105C CSA: ACIC, 90C 300V
CONTACT CARRIER MATERIAL	TPU																																			
MOLDED HEAD MATERIAL/COLOR	TPU/BLACK																																			
CONTACT MATERIAL/PLATING	BRASS/GOLD																																			
COUPLING NUT MATERIAL/FINISH	STAINLESS STEEL/PASSIVATED																																			
RATED CURRENT [A]	9.0 A																																			
RATED VOLTAGE [V]	300 V																																			
OUTER JACKET MATERIAL/COLOR	PVC/PLUM																																			
INNER JACKET MATERIAL/COLOR	PVC/BLACK																																			
CONDUCTOR INSULATION MATERIAL	XLPE (SHLD PAIRS), PVC/NYLON (SINGLE LEAD)																																			
NUMBER OF CONDUCTORS [AWG]	3x18 AWG																																			
DRAIN/SHIELD	20 AWG DRAIN/ALUMINUM FOIL SHIELD																																			
ARMOR SHEATH/MATERIAL	INTERLOCKING/ALUMINUM																																			
TEMPERATURE RATING	-40°C to +105°C (-40°F to +221°F)																																			
PROTECTION CLASS	MEETS NEMA 1,3,4,6P AND IEC IP67																																			
CONDUCTOR ARRANGEMENT	1 SHIELDED TWISTED PAIR, 1 GROUND, 1 DRAIN																																			
CABLE RATINGS	UL: ITC-ER/PLTC-ER, Direct Burial, 105C CSA: ACIC, 90C 300V																																			



SOURCE DRAWING - FOR REFERENCE ONLY

- NOTES:
- "*" INDICATES CABLE LENGTH IN METERS. CONTACT TURCK TO ORDER SPECIFIC LENGTHS.
 - CABLE ARMOR IS CONNECTED TO THE COUPLING NUT.

RELATED DOCUMENTS 1. 2. 3. 4.		3RD ANGLE PROJECTION 	THIS DRAWING IS CONFIDENTIAL AND THE PROPERTY OF TURCK INC. USE OF THIS DOCUMENT WITHOUT WRITTEN PERMISSION IS PROHIBITED.		TURCK IAC <i>High Technology Sensors and Automation Controls</i> 3000 CAMPUS DRIVE MINNEAPOLIS, MN 55441 1-800-544-7769 (763) 553-7300 (763) 553-0708 fax turck.com	
MATERIAL SEE SPECIFICATIONS		ALL DIMENSIONS DISPLAYED ON THIS DRAWING ARE FOR REFERENCE ONLY	DRFT JBJ APVD GC	DATE 01/29/03 SCALE 1=2.0	DESCRIPTION P-RSV RKV 40A-947-*M	
FINISH SEE SPECIFICATIONS		CONTACT TURCK FOR MORE INFORMATION	UNIT OF MEASUREMENT MILLIMETER [INCH] DO NOT SCALE THIS DRAWING		IDENTIFICATION NO. FILE: 777001523	REV K SHEET 1 OF 1

K	UPDATE CABLE RATINGS	KMY	08/02/13	42942
REV	DESCRIPTION	BY	DATE	ECO NO.