

Liquidtight STN Insulated Connectors for Liquidtight Flexible Metal Conduit

Straight and 90° for Liquidtight Flexible Metal Conduit Connections to Sheet Metal Enclosures.

NEC/CEC — Suitable for use in the following Hazardous Locations:
 Class I, Division 2 per NEC 501.10(B)(4)
 Class I, Zone 2 per NEC 505.15(C)(2)
 Class II, Division 1 per NEC 502.10(A)(2)(2)
 Class II, Division 2 per NEC 502.10(B)(2)

NEC/CEC — Suitable for use in the following Hazardous Locations:
 Class III, Division 1 per NEC 503.10(A)(3)(2)
 Class III, Division 2 per NEC 503.10(B)
 Intrinsically Safe per NEC 504.20

Applications

- For use with liquidtight flexible metal conduit in sheet metal enclosure installations.

Features

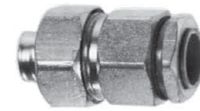
- Unique long ferrule with more pronounced threads provides over four times UL pull-out requirements.
- Ferrule provides maximum surface contact for better sealing and a continuous, permanent, positive metal-to-metal ground.
- Flame resistant, insulating insert recessed into hex-head wedge adapter protects against wire damage, without reduction in throat diameter.
- Space-saving hex-hub wedge adapter fits nearly flush against inside walls of enclosures, providing maximum wiring room.
- Liquidtight/raintight/oiltight/concretetight.
- Suitable for wet locations.

Standard Material/Finish

- 3/8" thru 1" straight: steel
- 1-1/4" thru 4" straight and 3/8" thru 1" 90°: malleable iron
- 3/8" thru 1" ferrule: steel; 1-1/4" thru 4" ferrule: aluminum
- Steel: zinc electroplate
- Malleable iron: zinc electroplate, chromate and epoxy powder coat/zinc electroplate

NEC/CEC Compliances and Certification

- UL Standard: 514B
- UL Listed: E-11853
- CSA Standard: C22.2 No. 18.3
- CSA Certified: 065178
- NEMA: FB-1

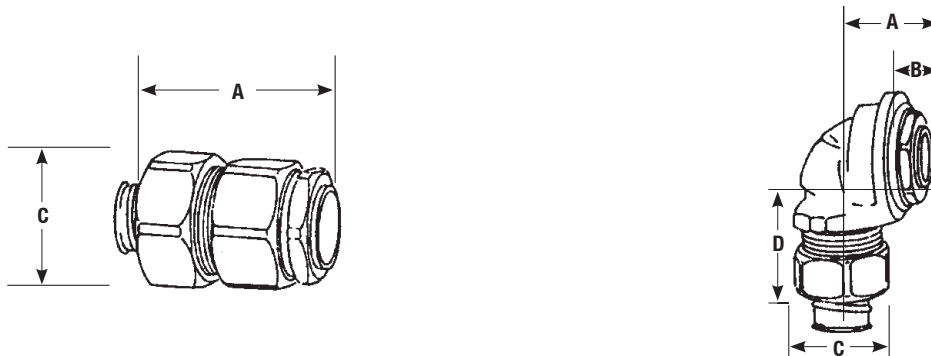


STN-38

STD Conduit Thread Size

Flexible Conduit Size (Inches)	NPT Size
3/8	1/2
1/2	1/2
3/4	3/4
1	1
1-1/4	1-1/4
1-1/2	1-1/2
2	2
2-1/2	2-1/2
3	3
4	4

Illustrated Dimensions



COMMERCIAL AND INDUSTRIAL FITTINGS: LIQUIDTIGHT CONDUIT FITTINGS

Appleton

Liquidtight STN Insulated Connectors for Liquidtight Flexible Metal Conduit

Straight and 90° for Liquidtight Flexible Metal Conduit Connections to Sheet Metal Enclosures.

NEC/CEC — Suitable for use in the following Hazardous Locations:
 Class I, Division 2 per NEC 501.10(B)(4)
 Class I, Zone 2 per NEC 505.15(C)(2)
 Class II, Division 1 per NEC 502.10(A)(2)(2)
 Class II, Division 2 per NEC 502.10(B)(2)

NEC/CEC — Suitable for use in the following Hazardous Locations:
 Class III, Division 1 per NEC 503.10(A)(3)(2)
 Class III, Division 2 per NEC 503.10(B)
 Intrinsically Safe per NEC 504.20

Size (Inches)	Millimeters (Inches)				Hole Diameter		Wall Thickness		Weight per 100 kg (lb)	Catalog Number	
	Dimensions				Min.	Max	Min.	Max			
	A	B	C	D							
Straight											
	3/8	35.6 (1.44)	—	28.7 (1.13)	—	22.4 (0.88)	23.9 (0.94)	1.5 (0.06)	2.0 (0.08)	8.16 (18.00)	STN-38
	1/2	35.6 (1.44)	—	31.8 (1.25)	—	22.4 (0.88)	23.9 (0.94)	1.5 (0.06)	2.0 (0.08)	9.07 (20.00)	STN-50
	3/4	39.6 (1.56)	—	38.1 (1.50)	—	27.7 (1.09)	29.5 (1.16)	1.5 (0.06)	2.0 (0.08)	13.61 (30.00)	STN-75
	1	44.5 (1.75)	—	45.9 (1.81)	—	34.0 (1.34)	35.8 (1.41)	1.5 (0.06)	2.0 (0.08)	18.51 (40.80)	STN-100
Straight											
	1-1/4	66.8 (2.63)	—	58.7 (2.31)	—	42.9 (1.69)	45.2 (1.78)	1.5 (0.06)	2.0 (0.08)	56.70 (125.00)	STN-125
	1-1/2	66.8 (2.63)	—	66.8 (2.63)	—	49.3 (1.94)	51.6 (2.03)	1.5 (0.06)	2.0 (0.08)	83.46 (184.00)	STN-150
	2	74.7 (2.94)	—	81.0 (3.19)	—	60.7 (2.39)	64.3 (2.53)	1.5 (0.06)	2.0 (0.08)	127.01 (280.00)	STN-200
	2-1/2	92.2 (3.63)	—	100.1 (3.94)	—	73.4 (2.89)	76.7 (3.02)	2.3 (0.09)	7.9 (0.31)	230.88 (509.00)	STN-250
	3	81.0 (3.19)	—	111.3 (4.38)	—	89.4 (3.52)	92.5 (3.64)	2.3 (0.09)	7.9 (0.31)	303.45 (669.00)	STN-300
	4	106.4 (4.19)	—	139.7 (5.50)	—	114.8 (4.52)	117.6 (4.63)	2.3 (0.09)	7.9 (0.31)	390.09 (860.00)	STN-400
90°											
	3/8	21.3 (0.84)	11.2 (0.44)	28.7 (1.13)	38.1 (1.50)	22.4 (0.88)	23.9 (0.94)	1.5 (0.06)	2.0 (0.08)	9.53 (21.00)	STN-9038
	1/2	21.3 (0.84)	11.2 (0.44)	31.8 (1.25)	38.1 (1.50)	22.4 (0.88)	23.9 (0.94)	1.5 (0.06)	2.0 (0.08)	13.61 (30.00)	STN-9050
	3/4	23.9 (0.94)	12.7 (0.5)	38.1 (1.50)	42.9 (1.69)	27.7 (1.09)	29.5 (1.16)	1.5 (0.06)	2.0 (0.08)	16.33 (36.00)	STN-9075
	1	27.9 (1.10)	17.5 (0.69)	45.9 (1.81)	47.8 (1.88)	34.0 (1.34)	35.8 (1.41)	1.5 (0.06)	2.0 (0.08)	36.29 (80.00)	STN-90100

COMMERCIAL AND INDUSTRIAL FITTINGS: LIQUIDTIGHT CONDUIT FITTINGS

Appleton®