

Fixture Unit



Mounting Types



Pendant



Ceiling



25° Stanchion



Long Bracket



15° Short Bracket

A-51™ LED FACTORY SEALED LUMINAIRES - GROUPS C, D

APPLICATIONS

- Ideal for use in chemical and petrochemical plants, and in other heavy process areas where ignitable vapors, dust, moisture and corrosive atmospheres may be present.
- Suitable for use in wet locations.

FEATURES

- All A-51™ LED fixtures are factory sealed; no external sealing fittings required.
- Fixture unit easily threads off mounting hood for convenient servicing or for immediate exchange with new fixture.
- Specially formulated two coat baked epoxy enamel provides superior protective finish to resist corrosion. Applied to all mounting hoods, fixture units and guards.
- Light outputs up to 3,100 lumens.

- Choice of 3000K or 5000K color temperatures.
- Globes in A-51™ fixtures are explosionproof, heat- and impact-resistant glass. Prismatic configuration on globe interior provides light control while allowing smooth exterior surface for cleaning.
- Guards to protect globe are easily mounted to globe ring with 3 screws.
- Fixture units have standardized threads to fit all A-51™ LED mounting hoods.
- Ambient Temperature: -25 °C to +55 °C (-13 °F to +131 °F)
- 6 kV Surge Protection.
- Choice of mountings: pendant, ceiling, 25° stanchion Ⓞ, long bracket, and 15° short bracket.
- Single sided and Three-Way Exit signs available.

OPTIONS

- Aluminum guards available, purchase separately
- Colored glass globes and porcelain reflectors available, purchase separately

STANDARD FINISHES

- Fixtures, guards and mounting hoods: two coat gray epoxy powder coat finish, electrostatically applied for complete, uniform surface protection.
- Steel reflectors: white porcelain enamel.

NEC/CEC CERTIFICATIONS AND COMPLIANCES

- UL Standard: UL 1598, UL 844
- CSA Standard: C22.2 No. 137; C22.2 No 250.0-08
- cULus Listed: E10444
- Suitable for use in Wet Locations

RELATED PRODUCTS

- Code • Master™ LED
- A-51™ Incandescent

Nominal Lumens	Incandescent Equivalent	Model Number
1700	100 - 150W	ALL1CBU
3100	200 - 300W	ALL2CBU
1600	100 - 150W	ALL1WBU
3000	200 - 300W	ALL2WBU

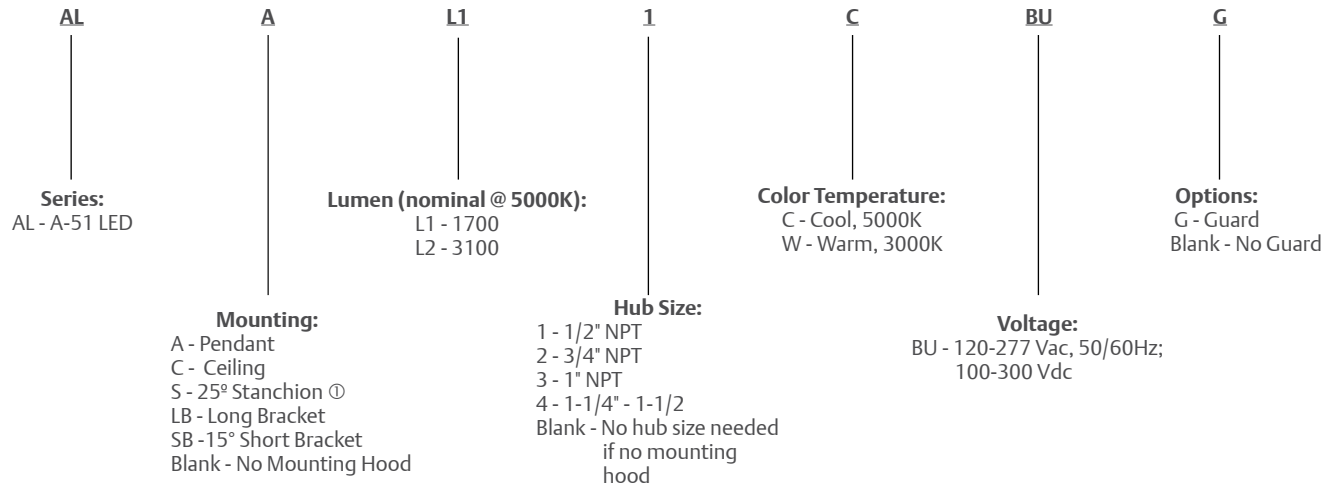
Ⓞ Not UL Listed.



For product information:
 www.appletonelec.com
 1.800.621.1506



PRODUCT ORDERING GUIDE

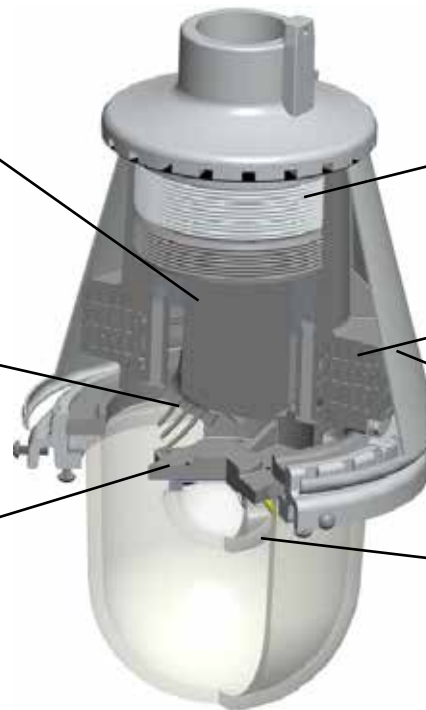


Illustrated Features A-51™ LED Class I, Division 1, Groups C, D

Thermally conductive polymer based potting compound maintains low LED driver temperature ensuring long life

Internal 6 Kv protection to prevent voltage spikes from possibly damaging the driver

Diecast Aluminum heatsink contributes to a reported L70 life of 60,000 hours; CRI > 80



Socket block with wireless connector ring and pin. As fixture is threaded onto mounting hood, connector ring and pin enter terminal recesses of connection block making electrical contact

Interlocking concentric rings assure controlled flame dissipation as well as heat and pressure venting

Aluminum heatsink with gray epoxy powder coat, electrostatically applied paint resists corrosion

Silicone optic provides a smooth light distribution with a uniform light coverage

① Not UL Listed.