

ATX™ FU40 Series Fuse Carrier

Components for Increased Safety Enclosures

ATEX/IECEX:
Zone 1 and 2
Ⓢ II 2 G

Applications

- Useful as back-up fuse protection or as main fuse protection for hazardous locations.
- Can be fitted inside increased safety Ex e enclosures.

Features

- For 14 mm x 51 mm (0.55" x 2.01") cylindrical cartridge fuse 16A gG Max. and 40 A aM Max.
- Adaptor which clips onto EN 50 022 and EN 50 035 rail.
- Connection via 2 mm² x 10 mm² (0.0031 in² x 0.0155 in²) terminals.

Standard Material

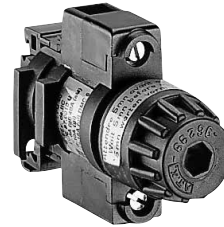
- Polyamide

ATEX/IECEX Certifications and Compliances

- Certification Type FU40
 - Gas, Zones 1 and 2
 - Conforming to ATEX 94/9/CE: Ⓢ II 2 G
 - Type of Protection: Ex db eb IIC or Ex d e IIC Gb
- Service Temperature: -40 °C to +80 °C (-40 °F to +176 °F)
- CE Declaration of Conformity: 5C258
- ATEX Certificate: LCIE 15 ATEX 3014U
- IECEX Certificate: IECEX LCIE 15.0007U

Other Certification ①

- Certification Type FU40
 - INMETRO Certificate: BVC 11.0593-U

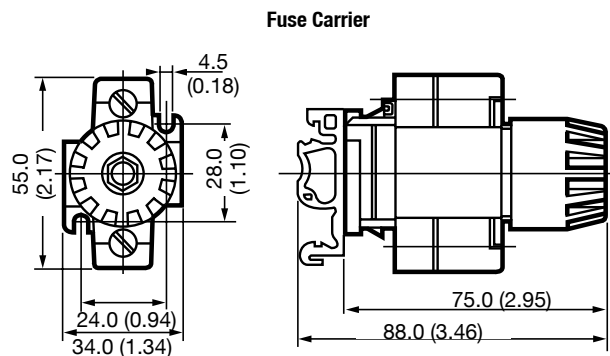


Appleton

CONTROLS: ATEX/IECEX INCREASED SAFETY CONTROL STATIONS

Weight kg (lb)	Volume dm ³ (in ³)	Fuse Size mm (in)	Catalog Number
0.1 (0.22)	0.4 (24.4)	14 x 51 (0.55 x 2.01)	FU40

Dimensions in Millimeters (Inches)



① INMETRO certification available on special request only. Contact your local sales representative for more information.