

TEMPERATURE TRANSMITTER

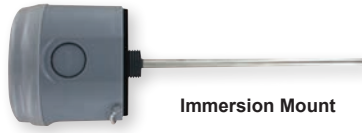
Current or Voltage Output, NEMA 4X Enclosures



Duct Mount



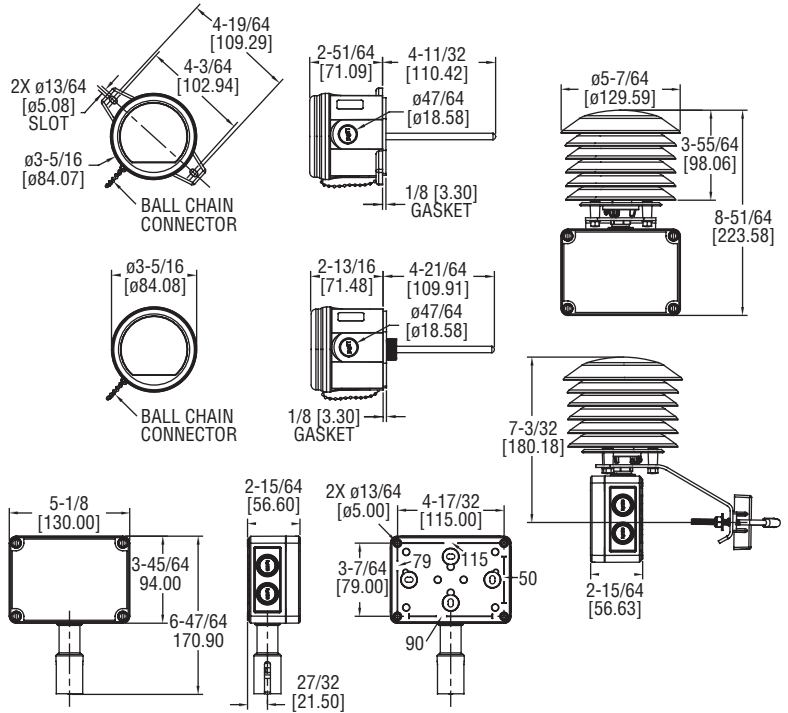
Outside Air with Radiation Shield



Immersion Mount



Outside Air without Radiation Shield



The **SERIES BTT** Temperature Transmitter offers transmitter output signals with the same form and fit as our popular TE thermistor and RTD sensors for building HVAC applications.

FEATURES/BENEFITS

- Duct, immersion, and outside air models available
- Radiation shield available for mounting in direct sunlight
- Transmitter output allows for longer wire runs than standard thermistor sensors

APPLICATIONS

- Building automation system temperature monitoring

MODEL CHART					
Example	BTT	-D	04	-1	BTT-D04-1
Series	BTT				Temperature transmitter
Mounting Configuration		D I O R			Duct mount Immersion mount Outside air Outside air with radiation shield
Probe Length			25 04 06 08 12 18		2.5" (required for "O" and "R" models) 4" 6" 8" 12" 18"
Output				1 2	4 to 20 mA 0 to 10 V
Options				Blank FC NIST	None Factory calibration certificate NIST calibration certificate

SPECIFICATIONS

Temperature Sensor: Pt1000 RTD.
Range: -40 to 140°F (-40 to 60°C).
Temperature Limits: -40 to 140°F (-40 to 60°C).
Accuracy: Voltage: 0 to 60°C: ±0.5°C; -40 to 0°C: ±1.0°C; Current: -20 to 50°C: ±0.5°C; -40 to -20°C and 50 to 60°C: ±0.75°C.
Response Time: 100 ms.
Wetted Materials: All models: 304 SS (probe), polycarbonate (housing); Duct and immersion models: Neoprene (gasket); Outside air models: Nylon (insert), silicone (O-ring).
Process Connection: 1/2" NPT (immersion models only).
Electrical Connection: Removable terminal block, knocks out for conduit fitting.
Conduit Connection: 1/2" NPT.
Probe Lengths: 2.5 to 18" (depending on configuration).
Power Requirements: 13 to 36 VDC.
Output Signal: 4 to 20 mA or 0 to 10 VDC (depending on model).
Enclosure Rating: NEMA 4X (IP66) (immersions models require thermowell).
Weight: 5.11 oz (145 g) (duct/immersion); 8.4 oz (238 g) (OSA without radiation shield); 1 lb 7.4 oz (663.4 g) (OSA with radiation shield).
Agency Approvals: CE.

THERMOWELLS - WELDED		
Model	Material	Insertion Length
TE-TNS-N253N-00	304 SS	2.5"
TE-TNS-N043N-00	304 SS	4"
TE-TNS-N063N-00	304 SS	6"
TE-TNS-N083N-00	304 SS	8"
TE-TNS-N123N-00	304 SS	12"
TE-TNS-N183N-00	304 SS	18"

Temperature Transmitters