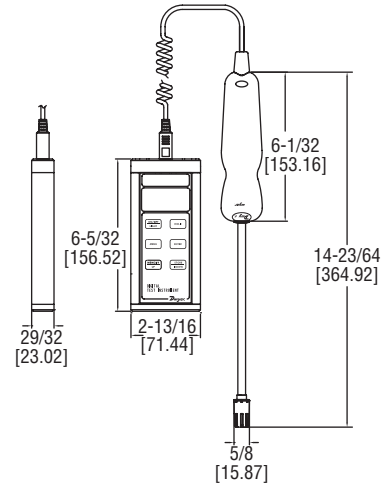




THERMO-HYGROMETER

Measures % RH, Temperature, Dew Point and Wet Bulb



The **MODEL 485B** Thermo-Hygrometer is a versatile, compact, handheld instrument for measuring percentage of relative humidity and temperature in °F or °C. Dew point and wet bulb temperatures are derived from the relative humidity and temperature measurements and are displayed on the LCD.

FEATURES/BENEFITS

- Replaceable probes
- Hold feature to freeze current readings on the display
- Stores up to 99 readings for future evaluation

APPLICATIONS

- Building commissioning
- Pulp & paper

MODEL CHART	
Model	Description
485B-1	Digital thermo-hygrometer includes 9V battery, sensing probe, wrist strap, soft carrying case and instructions

SPECIFICATIONS		
Service: Humidity, temperature, wet bulb and dew point temperature detection in clean air.	Range Temperature: -20 to 140°F (-28 to 60°C).	Accuracy Temperature: ±0.54°F @ 72°F (±0.3°C @ 25°C).
Temperature Limits: Process: -40 to 176°F (-40 to 80°C) Ambient: 5 to 125°F (-15 to 51°C).	Display: 4.5 digit LCD.	Resolution: 0.1%, 0.1 °F/°C.
Range Relative Humidity: 0 to 100% (non-condensing).	Probe Length: 8" (203 mm) insertion.	Power Requirements: 9 V alkaline battery, included, user replaceable.
Accuracy Relative Humidity: ±2% FS over 10 to 90% @ 77°F (25°C).	Weight: 16 oz (454 g).	Agency Approvals: CE.

ACCESSORIES	
Model	Description
RP1	Thermo-hygrometer % RH and temperature probe with coiled cable
UHH-C1	Soft carrying case