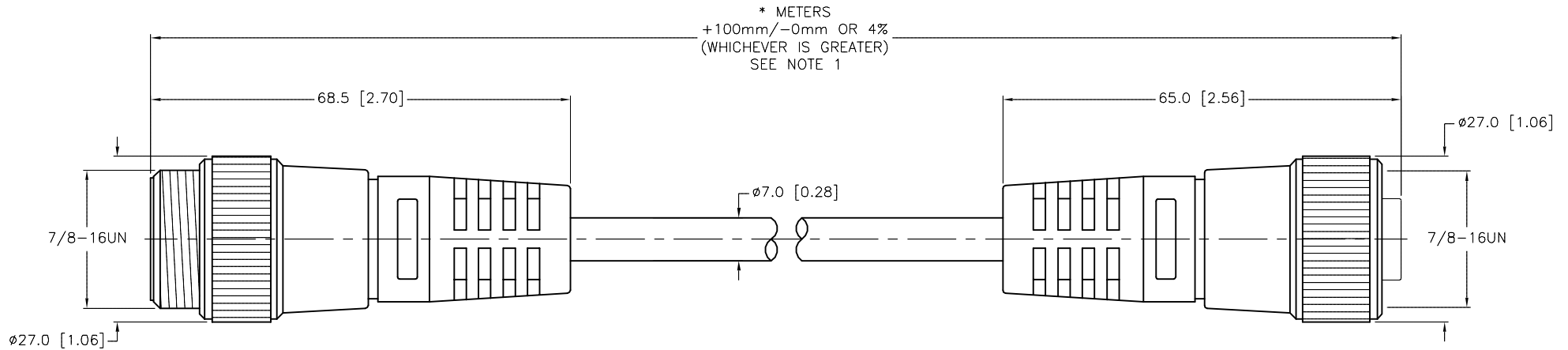


SPECIFICATIONS	
CONTACT CARRIER MATERIAL	TPU
MOLDED HEAD MATERIAL/COLOR	TPU/BLACK
CONTACT MATERIAL/PLATING	BRASS/GOLD
COUPLING NUT MATERIAL/FINISH	STAINLESS STEEL/PASSIVATED
RATED CURRENT [A]	9.0 A
RATED VOLTAGE [V]	300 V
OUTER JACKET MATERIAL/COLOR	PVC/PLUM
NUMBER OF CONDUCTORS [AWG]	3x16 AWG
DRAIN/SHIELD	18 AWG DRAIN/ALUMINUM MYLAR FOIL SHIELD
TEMPERATURE RANGE	-40°C to +105°C (-40°F to +221°F)
CONDUCTOR ARRANGEMENT	1 SHIELDED TWISTED PAIR, 1 GROUND, 1 DRAIN
PROTECTION CLASS	MEETS NEMA 1,3,4,6P AND IEC IP67



SOURCE DRAWING - FOR REFERENCE ONLY

NOTES:
1. "*" INDICATES CABLE LENGTH IN METERS. CONTACT TURCK TO ORDER SPECIFIC LENGTHS.

RELATED DOCUMENTS			
1.			
2.			
3.			
4.			
MATERIAL	SEE SPECIFICATIONS		
FINISH	SEE SPECIFICATIONS		

3RD ANGLE PROJECTION	
ALL DIMENSIONS DISPLAYED ON THIS DRAWING ARE FOR REFERENCE ONLY	
CONTACT TURCK FOR MORE INFORMATION	

THIS DRAWING IS CONFIDENTIAL AND THE PROPERTY OF TURCK INC. USE OF THIS DOCUMENT WITHOUT WRITTEN PERMISSION IS PROHIBITED.		DRFT	RWC	DATE	04/27/05
		APVD		SCALE	1=1.0
		UNIT OF MEASUREMENT		MILLIMETER [INCH]	
		DO NOT SCALE THIS DRAWING			

<p>High Technology Sensors and Automation Controls</p>		3000 CAMPUS DRIVE MINNEAPOLIS, MN 55441 1-800-544-7769 (763) 553-7300 (763) 553-0708 fax turck.com	
DESCRIPTION		P-RSV RKV 45-098-*M	
IDENTIFICATION NO.		REV	
		D	
FILE: 777007120		SHEET 1 OF 1	

D	UPDATE CABLE DIAMETER	KMY	05/29/13	42082
REV	DESCRIPTION	BY	DATE	ECO NO.