

# Differential Pressure Gauge Nominal size 2 1/2" (63 mm) Model A2G-mini

WIKA data sheet PM A2G-mini



## Applications

- For monitoring differential pressure of air and dry, clean & Non-aggressive gases
- Differential pressure monitoring of filters
- Pressure monitoring inside of clean rooms
- Very low pressure applications

## Special features

- Optimal readability with minimum space requirements
- All-metal design
- Quick and simple installation
- Silicon-free design



Differential pressure gauge A2G-mini  
with U-clamp bracket

## Description

The model A2G-mini differential pressure measuring instrument is used for monitoring differential pressures of the filter units in small and medium sized central air-handling units. Further applications can be found in industrial air extraction units and dust extraction plants as well as in the clean room industry. Its compact design and flush panel mounting enable an ideal integration in the enclosure structures of ventilation equipment.

The all metal design with the case made of stainless steel and measuring system and movement from copper alloy ensures a maximum hygiene. Due to its silicone free materials the instrument can also be used in the painting industry and its applications.

The high IP68 ingress protection rating and the UV-stabilized window also enables outdoor applications that are exposed to the environments.

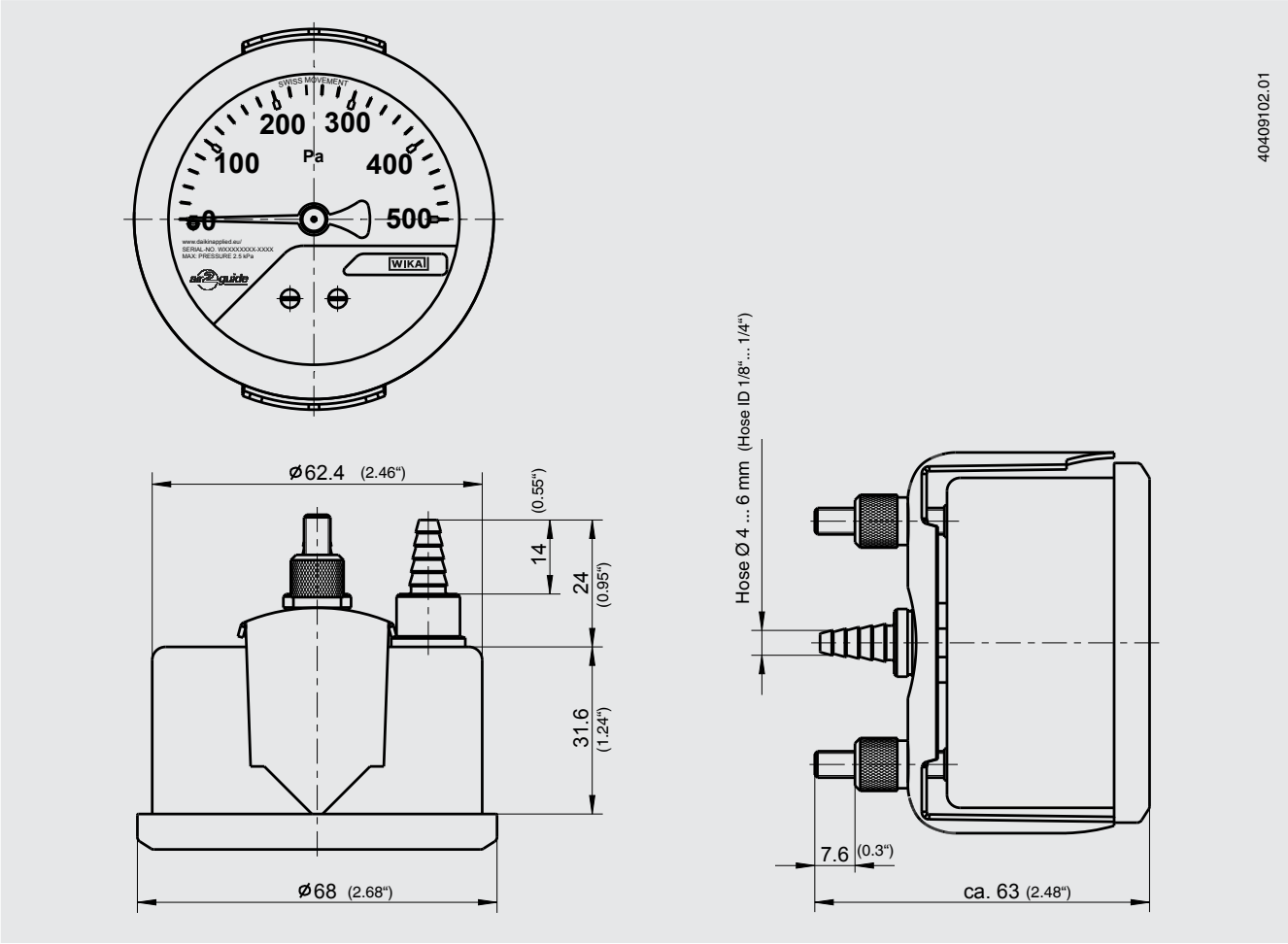
## Specifications

Differential pressure measuring instrument, model A2G-mini	
Nominal size	2-1/2" (63 mm)
Measuring range	0...1 in.WC 0...1.6 in.WC 0...2 in.WC 0...3 in.WC 0...4 in.WC 0...6 in.WC 0...8 in.WC 0...10 in.WC 0...12 in.WC 0...16 in.WC 0...20 in.WC 0...24 in.WC 0...28 in.WC 0...32 in.WC 0...36 in.WC 0...40 in.WC
Accuracy	± 5%
Process connection	Copper alloy Back mounted, hose barb for hose ID 1/8" ... 1/4" (4 mm ... 6 mm)
Pressure limitation	Steady: Full scale value Fluctuating: 0.9 x full scale value
Overpressure Safety	Ranges ≤ 2 in. WC: 10 in. WC Ranges > 2 in. WC: 80 in. WC
Temperature effect	Additional temperature error ± 0.5% for every 18°F (10K) temperature deviation from the the reference temperature of +68°F (+20°C).
Dial	Aluminum Pressure scale over 180° of angle
Pointer	Copper alloy
Movement, pressure element	Copper alloy
Window	Clear plastic, UV stabilized
Front bezel	Profile ring, steel black
Case	Stainless steel
Standard accessories	U-Clamp mounting bracket
Permissible temperatures	<ul style="list-style-type: none"> <li>■ Ambient temperature -4...+140 °F (-20...+60°C)</li> <li>■ Medium temperature Max. +140 °F (+60 °C)</li> </ul>
Ingress protection	IP68 per EN/IEC 60529
Weight	7 ounces (200 g)

## Options


- Profile ring, stainless steel
- Profile ring painted per customer requirements
- Wall mounting version

**Dimensions in mm (inches)**



40409102.01

## Accessories

Description	Order number	
<b>Measuring hoses</b>		
	PVC hose, 1/8" hose ID (4 mm), 82 Ft roll (25 m)	40217841
	PVC hose, 1/4" hose ID (6 mm), 82 Ft roll (25 m)	40217850
	Silicone hose, 1/8" hose ID (4 mm), 82 Ft roll (25 m)	40208940
	Silicone hose, 1/4" hose ID (6 mm), 82 Ft roll (25 m)	40208958

## Scope of delivery

- Differential pressure measuring instrument
- U-Clamp mounting bracket

## Ordering information

Model / Scale range / Options

© 03/2017 WIKA Alexander Wiegand SE & Co. KG, all rights reserved.  
The specifications given in this document represent the state of engineering at the time of publishing.  
We reserve the right to make modifications to the specifications and materials.



**WIKAI Instrument Corporation**  
1000 Wiegand Boulevard  
Lawrenceville, GA 30043  
Tel (770) 513-8200 Toll-free 1-888-WIKA-USA  
Fax (770) 338-5118  
E-Mail [info@wika.com](mailto:info@wika.com)  
[www.wika.com](http://www.wika.com)