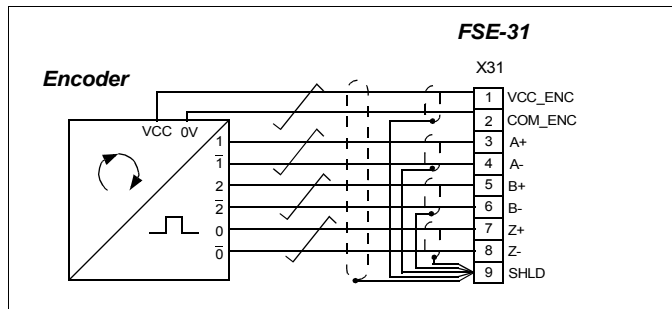


Quick guide

FSE-31 pulse encoder interface module

Wiring instructions

Wire the safety pulse encoder to the FSE-31 module as shown in this figure.



Note: This figure applies to the FSE-31 module revision F or later. Make sure you connect the safety encoder according to this figure. You can see the revision of the module in the type designation label.



For more information, see *FSE-31 pulse encoder interface module user's manual* (3AXD50000016597 [English]) and *FSO-21 safety functions module user's manual* (3AXD50000015614 [English]).



FSE-31 user's manual



FSO-21 user's manual



3AXD50000050593A