

CAUTION: TO PREVENT HAZARD, INSTALL IN ACCORDANCE WITH APPLICABLE CODES.

These instructions supplement the Code•Master 2™ Luminaire installation and maintenance instructions.

The Code•Master 2 Floodlight is a watertight floodlight suitable for hazardous and marine outdoor locations with no restrictions on mounting or aiming. To gain watertightness, the globe-ring assembly and the pendant hood must be tightly threaded to compress their respective gaskets. Handle disassembled components carefully to avoid damage to gaskets and machined mating surfaces. Replace damaged gaskets before installation. Repair broken seals on the globe-ring assembly with RTV adhesive-sealant.

Installing and Wiring of Flexible Coupling

Unthread pendant hood from floodlight. Assemble 3/4 to 1/2 in. reducer and 90° elbow (provided with flexible coupling) to pendant hood 3/4 in. hub. Obtain three color coded (including green equipment ground), 42 in. long 18 AWG min., 600V. wires. For wire insulation temperature rating, see floodlight nameplate. Remove connection block from pendant hood by loosening two mounting screws. Assemble the three wires thru elbow and connect green ground wire to ground terminal provided in pendant hood. Connect the remaining two wires to appropriate terminals in connection block. Replace connection block in mounting hood. Reinstall pendant hood on floodlight by threading on and tightening to compress gasket, then secure in place with the set screw. Exercise care in the next step to prevent damage to wire insulation and to the lining of the flexible coupling. Assemble flexible coupling to pendant hood by slipping it over the wires and threading it onto the elbow and tightening.

NOTE: The flexible coupling must be assembled so that the union joint end is away from pendant hood.

Installation of Floodlight and Mounting Accessory

The floodlights can be assembled to a pole mount, catalog number AF-SF, a junction box, catalog number AF-JB, a cross arm bracket, catalog number G-AM-8CA or any flat surface. All mounting accessories accept the floodlight trunnion and include the necessary hardware.

A. Floodlight with Polemount.

Install the pole mounting assembly on a 2 in. trade size threaded pole or pipe with the wiring compartment access hole to the front. Position the floodlight trunnion on the accessory cover so that the 1/2 in. hub in the cover is to the back of the floodlight, and secure trunnion to cover with the two 1/2 in. bolts and lockwashers provided.

Disassemble union nut, sleeve and 1/2 in. nipple from the flexible coupling and assemble to 1/2 in. hub in accessory cover. Introduce floodlight wires into wiring compartment of accessory, then thread and tighten union nut. Remove wiring compartment access hole cover and splice floodlight leads to supply lines. Replace access hole cover. Make sure that all fittings are tight and secured with the locking set screws.

B. Floodlight With Wall Mount.

Install the junction box wall mounting assembly with the long side of mounting plate in the vertical position and the wiring compartment access hole to the right. This will position the 1/2 in. hub on accessory cover towards the bottom. The junction box mounting plate is slotted for four, 3/8 in. bolts (not furnished). Assemble floodlight to accessory and complete wiring as described in step "A".

C. Floodlight With Cross Arm Mount.

Install the cross arm bracket to a cross arm or a flat surface with 3/4 in. bolt (not furnished) and lock in place after positioning with 3/8 in. bolt (not furnished). Assemble floodlight to cross arm bracket as described in step "A". Terminate the flexible coupling to any explosion proof junction box with 1/2 in. hub.

Aiming of Floodlight

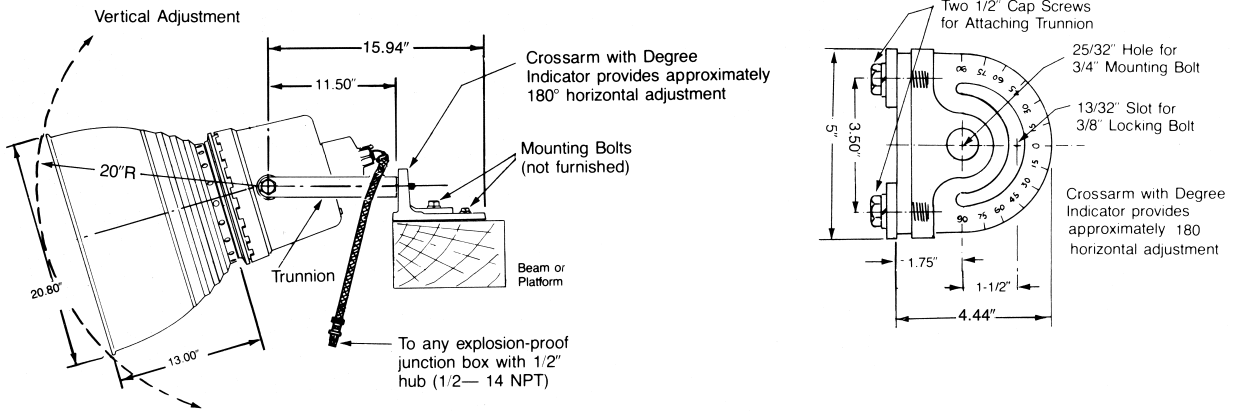
Vertical Aiming - Loosen the two 1/2 in. trunnion bolts "A", tilt floodlight to desired position, retighten the bolts.

Horizontal Aiming - Loosen locking screw on mounting accessory cover, turn floodlight to desired position and retighten locking screw.

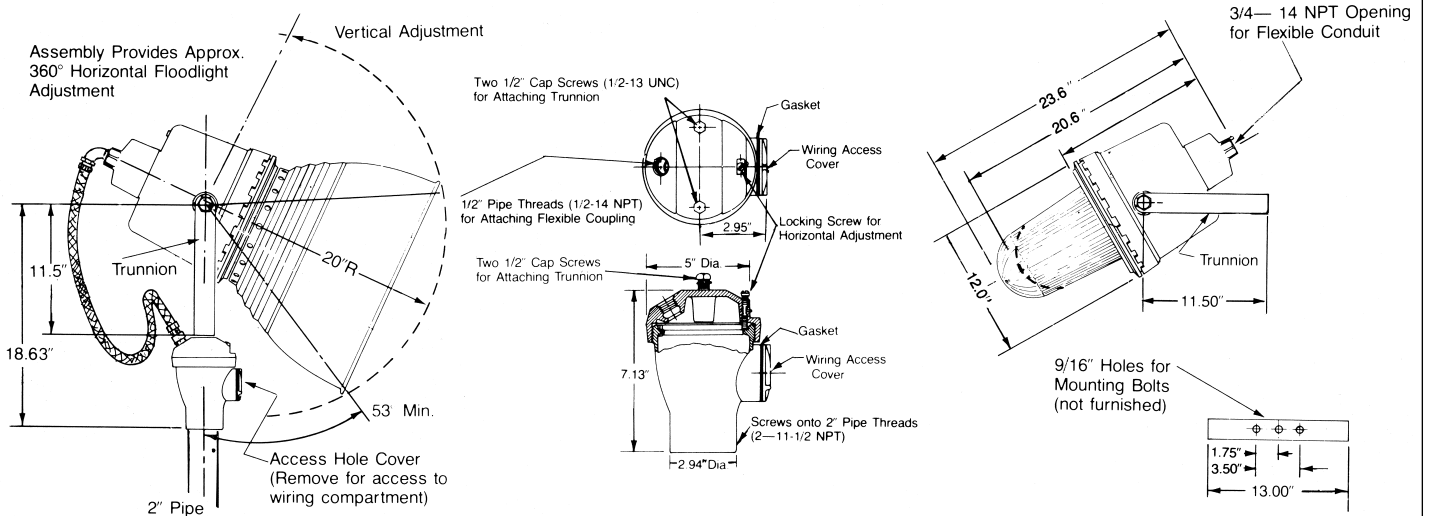
CODE•MASTER 2 FLOODLIGHT

CAUTION: TO PREVENT HAZARD, INSTALL IN ACCORDANCE WITH APPLICABLE CODES.

Wall Mount



Pole Mount



Crossarm Mount

