

PlexPower™ Factory Sealed Contactors and Motor Starters

Stainless Steel Enclosures

Full Voltage, Combination and Non-Combination, Single and Multiple

NEC/CEC:

Ex de IIB+H₂ T6 ①
Class I, Zone 1, AEx de IIB+H₂ T6
Class I, Division 2, Groups B, C, D T6 ①
Class II, Division 2, Groups F, G
Class III
Type 4X, IP66

Application

- PlexPower™ combination and non-combination contactors and motor starters are used in areas where hazardous materials are handled or stored such as:
 - Petroleum plants
 - Chemical plants
 - Refineries
 - Wastewater Treatment Plants
 - Paper and Pulp Industries
 - Other process facilities
- These units provide disconnecting means, circuit protection, and motor running protection.
- Ideal for placement in wet, corrosive environments or where flammable gases or vapors are likely to be present.

Features

- No external conduit or cable seals required thus making installations faster, easier, and less costly.
- The PlexPower™ contactors and motor starters feature a ground-breaking design that uses individual breaker, contactor and motor starter housings to minimize the downtime and costs associated with maintenance in hazardous locations.
- PlexPower™ breakers, contactors and motor starters accommodate non-proprietary off-the-shelf breakers, contactors and motor starters, making replacements readily available from multiple sources.
- The lighter weight contactor and motor starter enclosure with quarter turn latches, can be quickly opened in the field for easier servicing.
- Gland plate at the bottom of enclosure can be easily field punched for cable or conduit entries. Additional gland plates available for sides and top can be ordered with the panelboard. See options.
- Standard configuration includes external actuation and a solid door.
- For multiple contactor or motor starter panels, each contactor or motor starter can be individually padlocked in either the “On” or “Off” position.
- Ground and/or neutral bars provided as standard.
- External/internal ground lug provided as standard.
- Drain/breather provided as standard.

Standard Materials

- Enclosure: 316L stainless steel
- Hardware: stainless steel
- Bus bar: hard drawn, tin plated, copper ②

Options

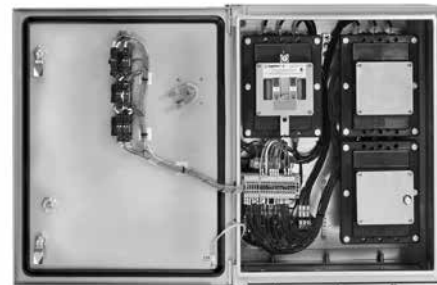
- Class I, Division 2, Zone 2 equivalency only, add suffix —**D2**.
- Gland plate (bottom is standard),
 - Top side gland plate, add suffix —**GPT**.
 - Left side gland plate, add suffix —**GPL**.
 - Right side gland plate, add suffix —**GPR**.
 - No gland plate, add suffix —**GPN**.
- Thermostatically controlled heater, add suffix —**HTR**.
- Inverted feed, add suffix —**INV**. ②
- Lockable wing knobs, add suffix —**P**. ②
- Phenolic/ lamacoid nameplate (specify legend), add suffix —**NP**.

① T4 when the HTR heater option is included.

② Only for multiple contactors and motor starter panels.



External View



Internal View

- Stainless steel legend plate (specify legend), add suffix —**SP**.
- Terminal blocks for contactor/motor starter wiring, add suffix —**TB**.

NEC/CEC Certifications and Compliances

- ANSI/UL Standards: UL 508, UL 50, UL 1203
- CSA Standards: C22.2 No. 0-10, C22.2 No. 14-10, C22.2 No. 25-1996, C22.2 No. 30-M1986 and C22.2 No. 94-M91
- cCSAus Certified: 039199

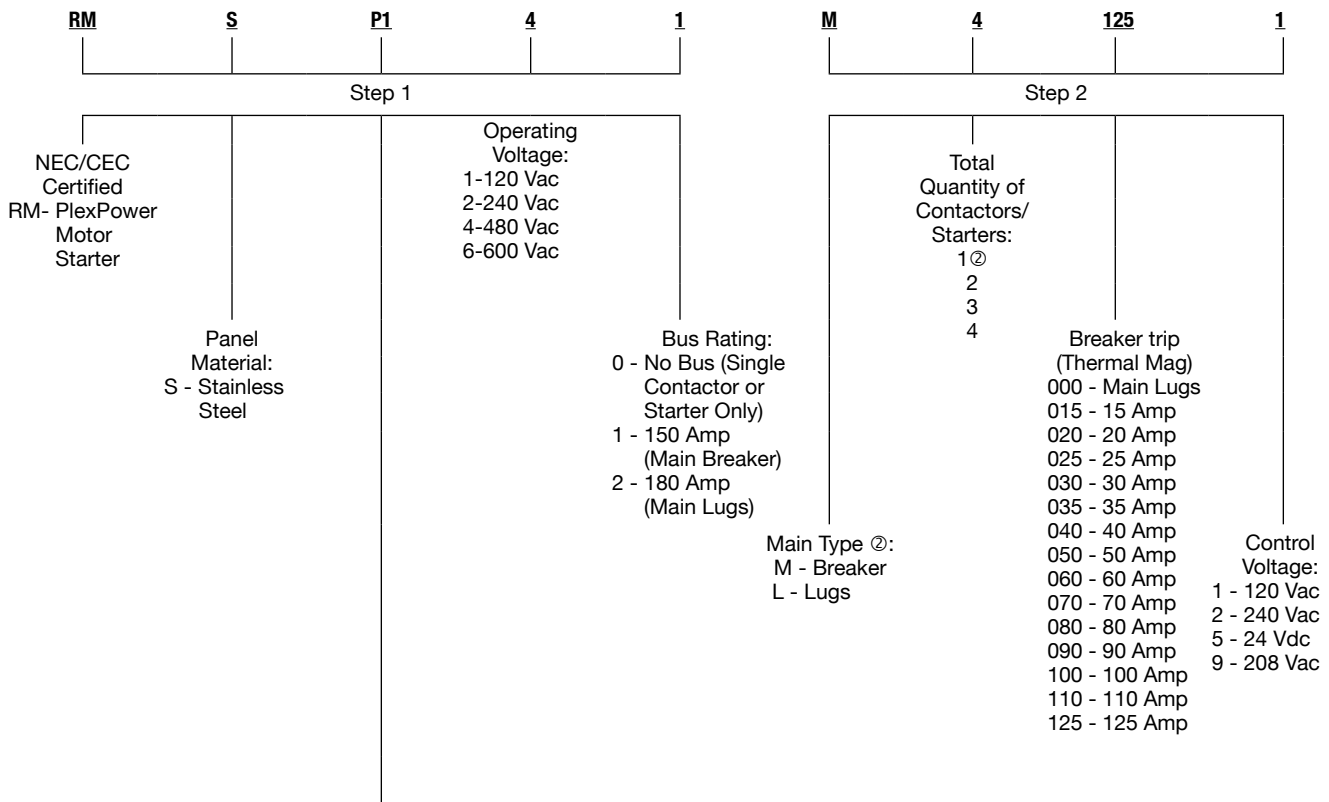
PlexPower™ Stainless Steel Contactors and Motor Starters

Stainless Steel Enclosures

Full Voltage, Combination and Non-Combination, Single and Multiple

NEC/CEC:
 Ex de IIB+H₂ T6 ①
 Class I, Zone 1, AEx de IIB+H₂ T6
 Class I, Division 2, Groups B, C, D T6 ①
 Class II, Division 2, Groups F, G
 Class III
 Type 4X, IP66

Catalog Numbering Guide



	Main Lugs		Main Breaker	
	Size	Dimensions	Size	Dimensions
Non combination contactor	M1	370x370x200	—	—
Non combination contactor with heater option	W1	450x370x200	—	—
Non combination starter	N1	560x350x200	—	—
Combination contactor	N1	560x350x200	—	—
Combination starter	T1	560x450x200	—	—
	R1	750x350x200	—	—
(2) Combination Contactors	I1	875x750x250	E1	1130x750x250
(2) Combination Starters	Q1	1130x1000x250	Q1	1130x1000x250
(3) Combination Contactors	E1	1130x750x250	G1	1500x750x250
(3) Combination Starters	Q1	1130x1000x250	P1	1500x1000x250
(4) Combination Contactors	G1	1500x750x250	G1	1500x750x250
(4) Combination Starters	P1	1500x1000x250	P1	1500x1000x250

① T4 when the HTR heater option is included.
 ② Always use Main Lugs when total quantity is 1.

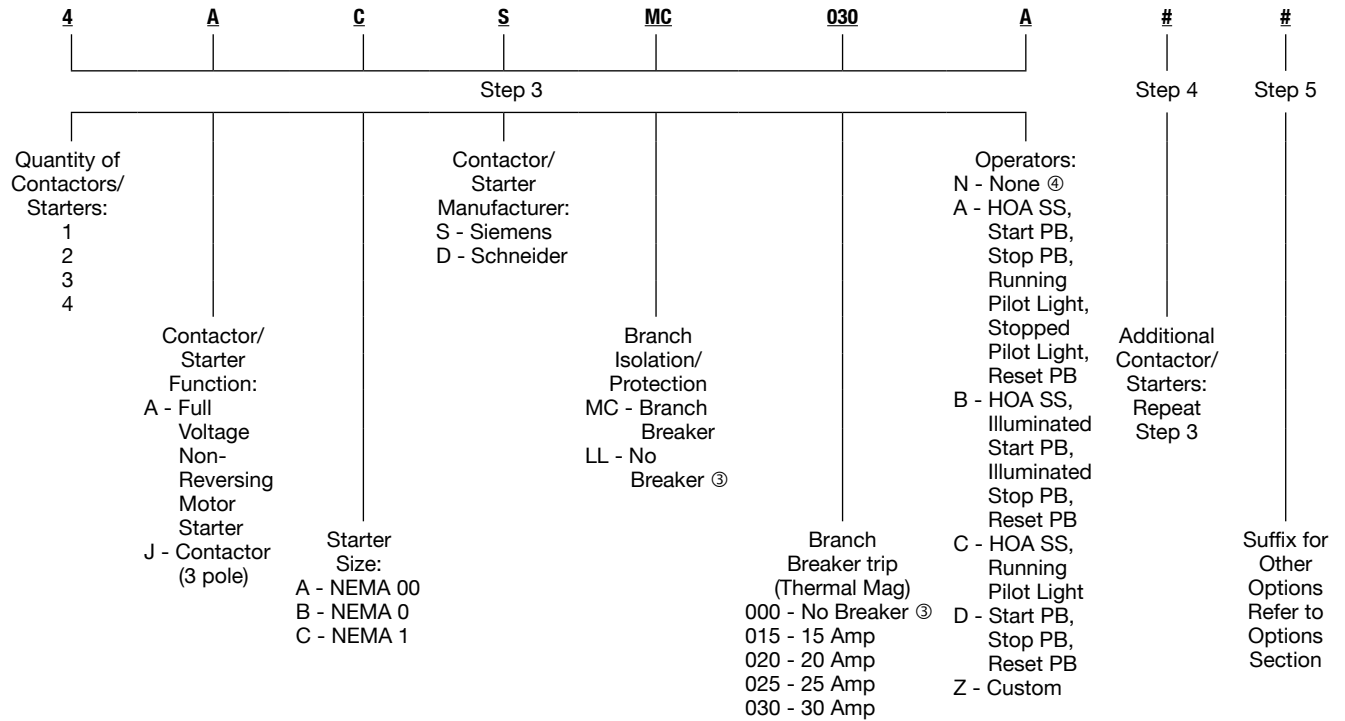
PlexPower™ Stainless Steel Contactors and Motor Starters

Stainless Steel Enclosures

Full Voltage, Combination and Non-Combination, Single and Multiple

NEC/CEC:

Ex de IIB+H₂ T6 ①
 Class I, Zone 1, AEx de IIB+H₂ T6
 Class I, Division 2, Groups B, C, D T6 ①
 Class II, Division 2, Groups F, G
 Class III
 Type 4X, IP66



CONTROLS: NEC/CEC EXPLOSIONPROOF MOTOR STARTERS



① T4 when the HTR heater option is included.
 ③ Only available when total quantity of contactors and starters equals 1.
 ④ For motor starter, reset push button for overload is provided.



PlexPower™ Stainless Steel Contactors and Motor Starters

Stainless Steel Enclosures

Full Voltage, Combination and Non-Combination, Single and Multiple

NEC/CEC:

Ex de IIB+H₂ T6 ①
 Class I, Zone 1, AEx de IIB+H₂ T6
 Class I, Division 2, Groups B, C, D T6 ①
 Class II, Division 2, Groups F, G
 Class III
 Type 4X, IP66

Steps to Creating Catalog Number:

Complete Catalog Number

RM **S** **P1** **4** **1** | **M** **4** **125** **1** | **4** **A** **C** **S** **MC** **030** **A** | — | —
 Step 1 | Step 2 | Step 3 | Step 4 | Step 5

Step 1: Choose enclosure size and operating voltage based on application.

Step 2: Define total quantity of contactors or starters. If a main breaker is desired, indicate amperage rating.

Step 3: Define the quantity, function, size and operators for each size of contactor and motor starter.

Step 4: Repeat this step for each contactor or starter configuration.

Step 5: Options: Add option in alphanumeric order as listed on the PlexPower™ introduction page under Options.

Panel Size

	Dimensions in Millimeters (Inches)									
	M1	W1	N1	T1	R1	I1	E1	Q1	G1	P1
Length	370 (14.50)	450 (18.00)	560 (22.00)	560 (22.00)	750 (30.00)	875 (34.00)	1130 (44.50)	1130 (44.50)	1500 (59.00)	1500 (59.00)
Width	370 (14.50)	370 (14.50)	350 (14.00)	450 (18.00)	350 (14.00)	750 (30.00)	750 (30.00)	1000 (39.50)	750 (30.00)	1000 (39.50)
Depth	200 (8.00)	200 (8.00)	200 (8.00)	200 (8.00)	200 (8.00)	250 (10.00)	250 (10.00)	250 (10.00)	250 (10.00)	250 (10.00)

CONTROLS: NEC/CEC EXPLOSIONPROOF MOTOR STARTERS

APPLETON™

① T4 when the HTR heater option is included.

PlexPower™ Stainless Steel Contactors and Motor Starters

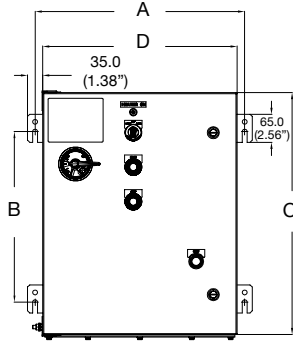
Stainless Steel Enclosures

Full Voltage, Combination and Non-Combination, Single and Multiple

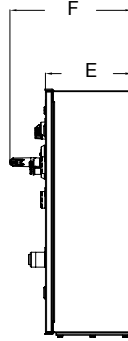
NEC/CEC:
 Ex de IIB+H₂ T6 ①
 Class I, Zone 1, AEx de IIB+H₂ T6
 Class I, Division 2, Groups B, C, D T6 ①
 Class II, Division 2, Groups F, G
 Class III
 Type 4X, IP66

Dimensions in Millimeters (Inches)

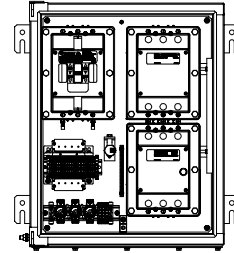
Size T1



Front View

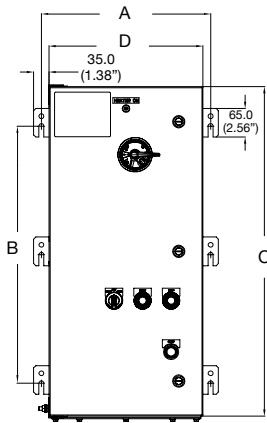


Side View

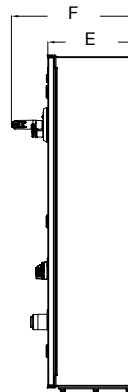


Internal View

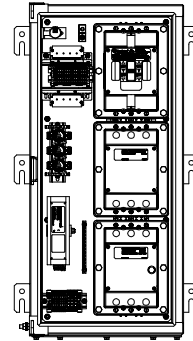
Size R1



Front View



Side View



Internal View

Single Contactor and Starter Panel Standard Configurations

	Dimensions in Millimeters (Inches)						
	Mounting Feet Horizontal	Mounting Feet Vertical	Overall Length	Overall Width	Overall Height	Height With Operators	Approximate Weight kg (lb)
	A	B	C	D	E	F	
M1	405 (15.94)	285 (11.22)	370 (14.57)	370 (14.57)	200 (7.88)	223 (8.81)	24 (53)
W1	405 (15.94)	315 (12.4)	450 (17.72)	370 (14.57)	200 (7.88)	223 (8.81)	31 (68)
N1	385 (15.16)	395 (15.55)	560 (22.05)	350 (13.78)	200 (7.88)	282 (11.13)	39 (86)
T1	485 (19.09)	395 (15.55)	560 (22.05)	450 (17.72)	200 (7.88)	282 (11.13)	45 (99)
R1	385 (15.16)	585 (23.04)	750 (29.53)	350 (13.78)	200 (7.88)	282 (11.13)	49 (108)

① T4 when the HTR heater option is included.

PlexPower™ Stainless Steel Contactors and Motor Starters

Stainless Steel Enclosures

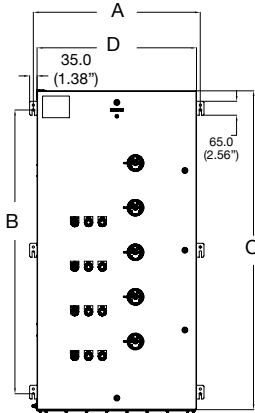
Full Voltage, Combination and Non-Combination, Single and Multiple

NEC/CEC:

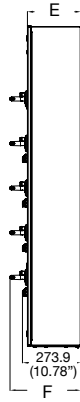
Ex de IIB+H₂ T6 ①
 Class I, Zone 1, AEx de IIB+H₂ T6
 Class I, Division 2, Groups B, C, D T6 ①
 Class II, Division 2, Groups F, G
 Class III
 Type 4X, IP66

Dimensions in Millimeters (Inches)

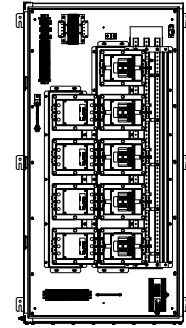
Size G1



Front View

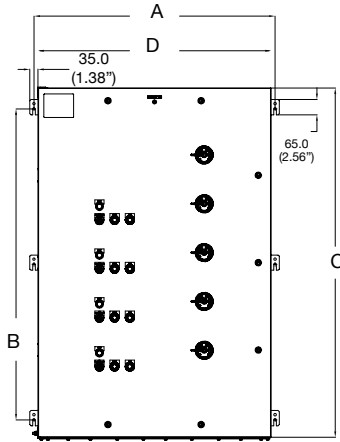


Side View

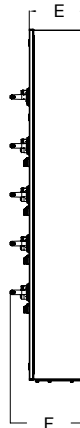


Internal View

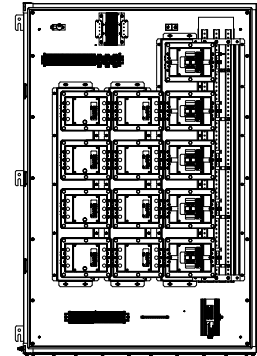
Size P1



Front View



Side View



Internal View

Multiple Combination Contactor and Starter Panel Standard Configurations

	Dimensions in Millimeters (Inches)						
	Mounting Feet Horizontal	Mounting Feet Vertical	Overall Length	Overall Width	Overall Height	Height With Operators	Approximate Weight kg (lb)
	A	B	C	D	E	F	
I1	785 (30.91)	710 (27.96)	875 (34.45)	750 (29.53)	250 (9.85)	332 (13.09)	100 (220)
E1	785 (30.91)	965 (38.0)	1130 (44.49)	750 (29.53)	250 (9.85)	332 (13.09)	129 (284)
Q1	1035 (40.75)	965 (38.0)	1130 (44.49)	1000 (39.37)	250 (9.85)	332 (13.09)	162 (357)
G1	785 (30.91)	1335 (52.56)	1500 (59.06)	750 (29.53)	250 (9.85)	332 (13.09)	172 (379)
P1	1035 (40.75)	1335 (52.56)	1500 (59.06)	1000 (39.37)	250 (9.85)	332 (13.09)	206 (454)

① T4 when the HTR heater option is included.

CONTROLS: NEC/CEC EXPLOSIONPROOF MOTOR STARTERS

APPLETON™

PlexPower™ Stainless Steel Contactors and Motor Starters

Stainless Steel Enclosures

Full Voltage, Combination and Non-Combination, Single and Multiple

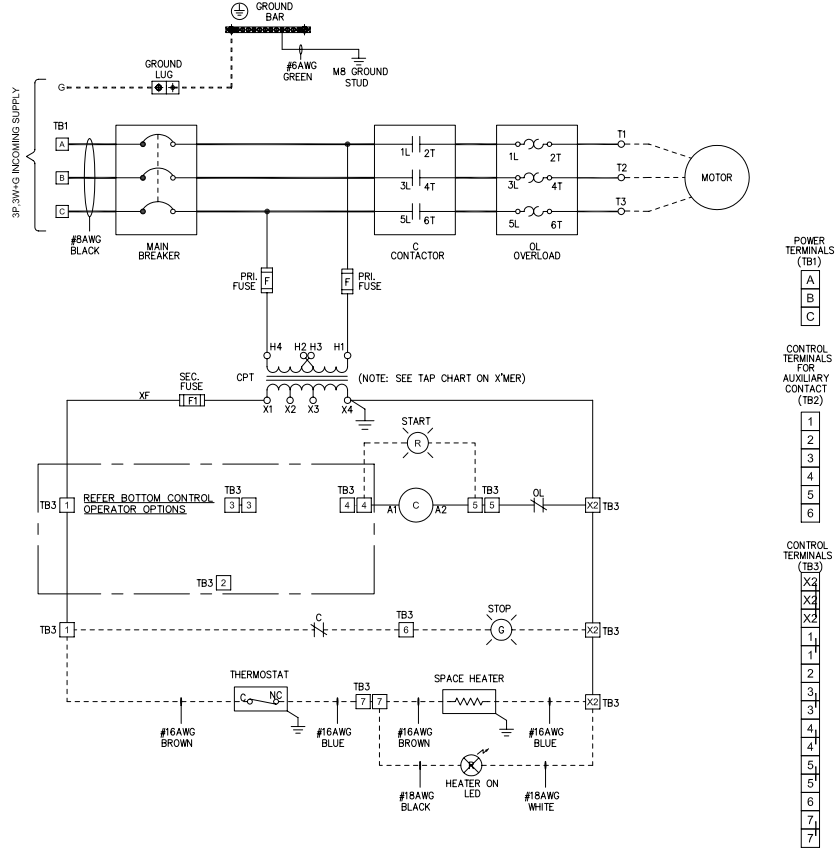
NEC/CEC:

Ex de IIB+H₂ T6 ①
 Class I, Zone 1, AEx de IIB+H₂ T6
 Class I, Division 2, Groups B, C, D T6 ①
 Class II, Division 2, Groups F, G
 Class III
 Type 4X, IP66

Wiring Diagram

NOTES:

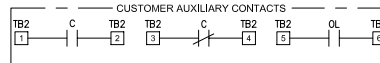
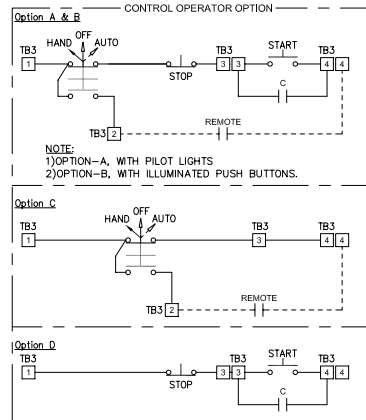
1. REFERENCE GA DRAWING NO.
2. WIRING DRAWING NOT FOR MANUFACTURING. ONLY FOR MARKETING LITERATURE.



- POWER TERMINALS (TB1)
- A
 - B
 - C

- CONTROL TERMINALS FOR AUXILIARY CONTACT (TB2)
- 1
 - 2
 - 3
 - 4
 - 5
 - 6

- CONTROL TERMINALS (TB3)
- X2
 - X2
 - X2
 - 1
 - 1
 - 2
 - 3
 - 3
 - 4
 - 4
 - 5
 - 5
 - 6
 - 7
 - 7



POWER WIRE

STARTER SIZE	WIRE #	WIRE #	COLOR
1	#B	L1, L2, L3	BLACK

XFMR POWER WIRE

WIRE SIZE	WIRE #	COLOR
#12	L1, L3	BLACK

CONTROL WIRE

WIRE NUMBER	COLOR	WIRE SIZE
XF	RED	#14
X2	WHITE	#14
GND	GREEN	#14
CONTROL	RED	#14

NOTE: WIRE TYPE - CSA/UL CERTIFIED, COMPLYING TO CEC AND NEC REQUIREMENT.

① T4 when the HTR heater option is included.