

Mini8®

MODEL



8 Loop Plastics Controller Specification Sheet

- 8 precision PID loops
- Alarm management
- Heater failure detection
- Modbus RTU
- DeviceNet network
- Profibus DP network
- CANopen
- Modbus TCP

- 5.7" Touchscreen LCD
- Standard operator views
- Recipe management
- Alarm indication
- Heater status
- IO Diagnostics

The Mini8 Plastics Controller is a pre-configured version of the standard Mini8 multiloop and data acquisition unit. It can control up to 8 temperature zones, each configurable as heat only or heat-cool. The Eurotherm cooling algorithm can be optimised for fan or water cooling ensuring optimum control even at high extruder speeds.

The Mini8 controller can multi-drop on either Serial, Fieldbus or Ethernet communications and offers a cost effective alternative to performing control loops in a PLC. By devolving control to the Mini8 instrument the PLC can concentrate on providing fast and effective logic control without the processing burden of running complex control algorithms. Relieving the PLC of these functions can significantly reduce the total system cost including PLC hardware, signal conditioners, configuration and commissioning.

The standard configuration supports 8 thermocouple inputs defaulted to type J and 16 logic outputs for driving solid state relays. An optional current transformer input module can be fitted to provide rapid detection of a heater load failure, overcurrent as well as SSR short or open circuit. This feature ensures that action can quickly be taken to rectify a fault therefore minimising downtime and improving product yields.

The standard plastics configuration can be customised to a specific application by using the Eurotherm iTools Graphical Wiring Editor.

For detailed technical information on the Mini8 controller please refer to Specification sheet HA028480.

VT505 Operator Panel

The Eurotherm VT505 Touchscreen operator panel can be used to supervise multiple Mini8 controllers. The VT505 can be ordered pre-configured to support Mini8 instrument applications of up to 32 control loops and provides an ideal operator interface for monitoring and changing process parameters.

Although compact the VT505 is constructed in a rugged pressed aluminium case. Its IP65 panel rating makes it ideal for harsh environments.

Compatible with any Modbus RTU product such as the Mini8, and many other Eurotherm products, it can also be used as an operator display into programmable logic controllers.

Mini8 Plastics controller ordering code

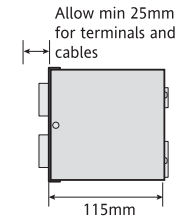
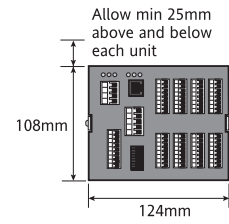
MINI8	1 8LP	2 OPRG	3 VL	4	5	6 TC8	7	8 DO8	9 DO8
10 EC8	11 250	12	13	14	15	16			

Basic Product	
MINI8	Mini8 Controller
1 Control Loops	
8LP	8 Control loops
2 Programs	
OPRG	No programs
3 PSU	
VL	24V dc
4 Communications	
MODBUS	Modbus RTU
ISOLMBUS	Isolated Modbus RTU
DEVICENET	DeviceNet
PBUSRJ45	Profibus RJ45
PBUS9PIN	Profibus 9 Pin 'D' type
ENETMBUS	Ethernet Modbus/TCP
CANOPEN	CANopen
DNEM12	Enhanced DeviceNet

5 Temperature Units	
C	Centigrade
F	Fahrenheit
7 IO Slots 2	
XXX	No module fitted
CT3	3 Ch CT input
10 Application	
EC8	8 Loop plastics controller
11 Wires	
250	250 User Wires
12 Recipes	
NONE	No recipes
RCP	8 Recipes
Note	
1. CERT2 is 5 point calibration.	

13 Manual Language	
ENG	English
FRA	French
GER	German
SPA	Spain
ITA	Italian
14 Configuration Software	
NONE	No CD
ITOOOLS	Tools CD & Mini8 Controller documentation
15 Warranty	
XXXXX	Standard
WL005	Extended
16 Calibration Certificates	
XXXXX	None
CERT1	Certificate of Conformity
CERT2	Factory input calibration per input (Note 1)

Mini8 Controller Mechanical Details



Mounting Information
The Mini8 controller is intended to be horizontally mounted on symmetrical DIN Rail to EN50022-35 or 35 x 35 x 15

VT505 Operator panel ordering code

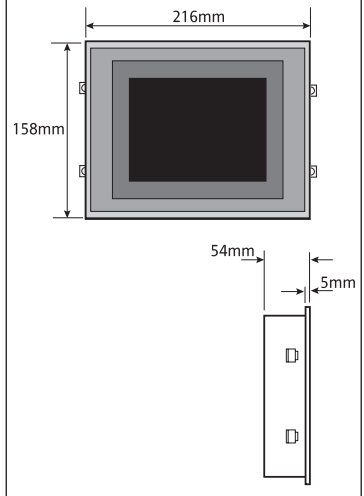
VT505	1	2	3	4	5	6 NONE
-------	---	---	---	---	---	-----------

Basic Product	
VT505	Monochrome touch screen, 320 x 240 pixels
1 Type	
MINI8	Configuration for Mini8 Controller
2 Applications	
EC8	8 loop plastics controller
EC16	16 loop plastics controller
EC24	24 loop plastics controller
EC32	32 loop plastics controller

3 Network Cables	
NONE	No cable supplied
F485	Modbus EIA485 (Note 1)
F232	Modbus EIA232
4 Manual Language	
ENG	English
FRA	French
GER	German
Notes	
1. Modbus EIA485 cable required for use with Mini8.	
2. Config cable supplied with VTWIN software.	

5 Configuration Software	
NONE	No configuration software
VTWIN	VTWIN configuration software (Note 2)
6 Config. Software Language	
NONE	Multi-language

VT505 Operator panel Mechanical Details



Eurotherm: International sales and service

www.eurotherm.com

AUSTRALIA Melbourne
T (+61 0) 8562 9800
E info.eurotherm.au@invensys.com
AUSTRIA Vienna
T (+43 1) 7987601
E info.eurotherm.at@invensys.com
BELGIUM & LUXEMBOURG Moha
T (+32) 85 274080
E info.eurotherm.be@invensys.com
BRAZIL Campinas-SP
T (+5519) 3707 5333
E info.eurotherm.br@invensys.com
CHINA
T (+86 21) 61451188
E info.eurotherm.cn@invensys.com

Beijing Office
T (+86 10) 5909 5700
E info.eurotherm.cn@invensys.com
FRANCE Lyon
T (+33 478) 664500
E info.eurotherm.fr@invensys.com
GERMANY Limburg
T (+49 6431) 2980
E info.eurotherm.de@invensys.com
INDIA Mumbai
T (+91 22) 67579800
E info.eurotherm.in@invensys.com
IRELAND Dublin
T (+353 1) 4691800
E info.eurotherm.ie@invensys.com

ITALY Como
T (+39 031) 975111
E info.eurotherm.it@invensys.com
KOREA Seoul
T (+82 2) 2090 0900
E info.eurotherm.kr@invensys.com
NETHERLANDS Alphen a/d Rijn
T (+31 172) 411752
E info.eurotherm.nl@invensys.com
POLAND Katowice
T (+48 32) 78395000
E info.eurotherm.pl@invensys.com
SPAIN Madrid
T (+34 91) 6616001
E info.eurotherm.es@invensys.com

SWEDEN Malmo
T (+46 40) 384500
E info.eurotherm.se@invensys.com
SWITZERLAND Wollerau
T (+41 44) 7871040
E info.eurotherm.ch@invensys.com
UNITED KINGDOM Worthing
T (+44 1903) 268500
E info.eurotherm.uk@invensys.com
U.S.A. Ashburn VA
T (+1 703) 724 7300
E info.eurotherm.us@invensys.com

ED64

© Copyright Eurotherm Limited 2011

Invensys, Eurotherm, the Eurotherm logo, Chessell, EurothermSuite, Mini8, Eycon, Eyris, EPower nanodac, Foxboro and Wonderware are trademarks of Invensys plc, its subsidiaries and affiliates. All other brands may be trademarks of their respective owners.

All rights are strictly reserved. No part of this document may be reproduced, modified, or transmitted in any form by any means, nor may it be stored in a retrieval system other than for the purpose to act as an aid in operating the equipment to which the document relates, without the prior written permission of Eurotherm Limited.

Eurotherm Limited pursues a policy of continuous development and product improvement. The specifications in this document may therefore be changed without notice. The information in this document is given in good faith, but is intended for guidance only.

Eurotherm Limited will accept no responsibility for any losses arising from errors in this document.

invenSYS
Operations Management