

Square Steel Poles

NEC/CEC:
Rated for Ordinary (Unclassified) Locations

Applications

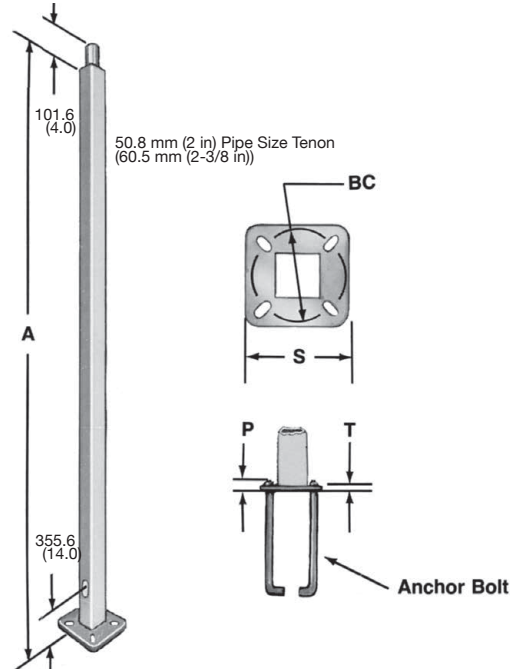
- To mount single or multiple luminaires to heights from 4.3 to 9.1 m (14 to 30 ft).

Features

- 50.8 mm (2 in) pipe size tenon accepts a single luminaire, or 2, 3, or 4 luminaires with appropriate pole-top mounting bracket.
- High strength shafts are made from square steel structural tube with minimum yield strength of 46,000 psi.
- Base plates are of structural quality hot-rolled steel with minimum yield strength of 36,000 psi.
- A 76.2 x 127 mm (3 in x 5 in) reinforced handhole with cover and grounding lug 355.6 mm (14 in) above the pole base is standard.
- Anchor bolts are furnished complete with nuts and washers, and are of 55,000 psi steel.

Standard Materials/Finishes

- Lighting poles are steel with bronze powder coat finish (to match Appleton fixtures) or galvanized finish



Mounting Height m (ft) A	Average Pole Weight kg (lb)	Pole Shaft Size mm (in)		Base Plate mm (in)			Anchorage: Anchor Bolt Dia. X Length mm (in)	Catalog Number	
		Bottom S	Top	Base Size (Square)	Bolt Circle	Base Thickness		Bronze	Galvanized
4.3 (14)	79 (175)	101.6 (4)	101.6 (4)	203.2 (8)	215.9 (8.5)	19.1 (0.75)	19x 508 (0.75x20)	G-PSSH-14	G-PSSH-14-GAL
5.2 (17)	90 (200)	101.6 (4)	101.6 (4)	203.2 (8)	215.9 (8.5)	19.1 (0.75)	19x 508 (0.75x20)	G-PSSH-17	G-PSSH-17-GAL
6.1 (20)	98 (215)	127.0 (5)	127.0 (5)	279.4 (11)	279.4 (11.0)	25.4 (1.0)	25x1016 (1x40)	G-PSSH-20	G-PSSH-20-GAL
7.6 (25)	111 (245)	152.4 (6)	152.4 (6)	304.8 (12)	292.1 (11.5)	25.4 (1.0)	25x1016 (1x40)	G-PSSH-25	G-PSSH-25-GAL
9.1 (30)	136 (300)	152.4 (6)	152.4 (6)	304.8 (12)	292.1 (11.5)	25.4 (1.0)	25x1016 (1x40)	G-PSSH-30	G-PSSH-30-GAL

① Dimensions may vary—Consult your local sales representative for specifications.
 ② Anchor bolts and templates are preshipped ahead of lighting poles.