

## 1008S 40mm (1½") Stainless Steel Case Pressure Gauge

### FEATURES

- Meets ASME B40.100 grade B accuracy
- Corrosion resistant stainless steel case construction
- Dry or liquid filled versions
- Custom dials available

### TYPICAL USES

- Where space limitations exist
- Control valves - corrosion resistant gauge
- Hydraulic tools
- Outdoor installation



### SPECIFICATIONS

Accuracy:	±3-2-3% (ASME B40.100, grade B)
Sizes:	40mm (1½")
Ranges:	Vacuum, compound, 15 to 15,000 psi

#### Wetted Materials

Bourdon Tube:	316 SS
Process Connection:	316 SS
Restrictor:	316 SS

#### Non Wetted Materials

Window:	Polycarbonate
Dial:	Black figures on white background, aluminum
Pointer:	Black, aluminum
Movement:	300 series SS
Case:	304 SS
Ring:	304 SS

#### Process Connection

Location:	Lower and center back
-----------	-----------------------

#### Process Connection

Sizes:	½ NPT standard
Fill Fluid:	Glycerin standard, silicone optional

### KEY BENEFITS

- Where space limitations exist
- New rolled ring for tighter seal and IP66 rating
- For severe outdoor and corrosive applications

Process Temperature:	Dry: -40 °F to 250 °F (-40 °C to 121 °C) Glycerin: 20 °F to 200 °F (-40 °C to 93 °C) Silicone: -40 °F to 200 °F (-40 °C to 93 °C)
Ambient Temperature:	Dry: -40 °F to 200 °F (-40 °C to 93 °C) Glycerin: 20 °F to 150 °F (-7 °C to 66 °C) Silicone: -40 °F to 150 °F (-40 °C to 66 °C)
Storage Temperature:	0 °F to 150 °F (-18 °C to 66 °C)
Temperature Effects:	±0.04% of span per °C change; reference temp. 20 °C ±0.4% of span per 18 °F change; reference temp. 68 °F
Weather Protection:	IP66/NEMA 4
Approvals:	RoHS (EU Directives 2011/65/EU and 2015/863); CRN Listed
Overpressure/	
Proof Pressure:	125% of range
Optional features:	Custom dials Special connections on applications Panel mounting kits (U-clamp and front flange)

## 1008S 40mm (1½") Stainless Steel Case Pressure Gauge

### ORDERING CODE

Example: **401008 S L 01 L XZY 3000#**

<b>Dial Size/Series Code</b>	401008 – Stainless steel case	401008
<b>System</b>	S - 316L SS tube/316L SS process connection (Max. pressure 15,000 psi)	S
<b>Case Fill</b>	Dry, liquid fillable case	
	L - Liquid filled case (Glycerin standard)	L
<b>Process Connection Sizes</b>	01 - 1/8 NPT Male standard	01
	02 - 1/4 NPT Male optional on back connect only	
<b>Connection Location</b>	L - Lower mount connection	L
	B - Center back mount connection	
<b>Options</b>	ZY - FlutterGuard™ performance	XZY
	GV - Silicone case fill	
	TS - Throttling device	
	6B - Cleaned for oxygen service	
	SG - Safety glass	
	RG - Regular glass	
	NH - Stainless steel tag wired to case	
	FF - Front flange	
	UC - U-clamp	
	C4 - Individual calibration chart in accordance with ASME B40.100:2013. Accuracy traceable to NIST	
<b>Range (coding examples only, see range table for all standard ranges)</b>		
Single Scales		
15# - 15 psi		3000#
1BR - 1 bar		
1KSC - 1 kilograms per sq. cm		
100KP - 100 kilopascal		
Dual Scales		
15#/BR - 15 psi inner scale, 1 bar outer scale		
1BR/# - 1 bar inner scale, 15 psi outer scale		

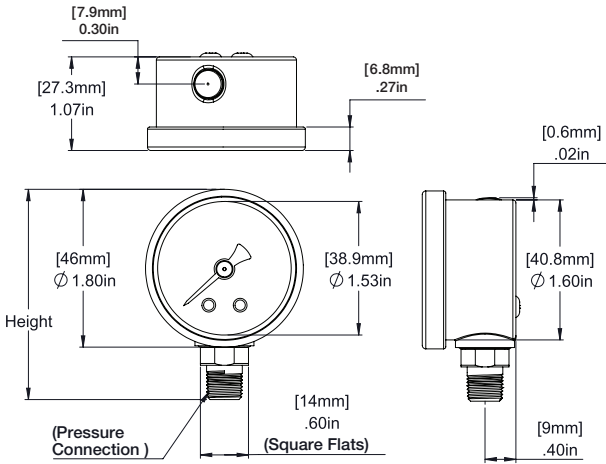
**1008S 40mm (1½") Stainless Steel Case Pressure Gauge**

STANDARD RANGES				
psi	bar	kPa	Mpa	kg/cm <sup>2</sup>
30IMV	-1BR	-100KP	-.1MP	-1KSC
-	-1&.6BR	-100&60KP	-.1&.06MP	-1&.6KSC
V&15#	-	-	-	-
-	-1&1.5BR	-100&150KP	-.1&.15MP	-1&1.5KSC
V&30#	-	-	-	-
-	-1&3BR	-100&300KP	-.1&.3MP	-1&3KSC
V&60#	-	-	-	-
-	-1&5BR	-100&500KP	-.1&.5MP	-1&5KSC
V&100#	-	-	-	-
-	-1&9BR	-100&900KP	-.1&.9MP	-1&9KSC
15#	1BR	100KP	.1MP	1KSC
-	1.6BR	160KP	.16MP	1.6KSC
30#	-	-	-	-
-	2.5BR	250KP	.25MP	2.5KSC
60#	4BR	400KP	.4MP	4KSC
-	6BR	600KP	.6MP	6KSC
100#	-	-	-	-
-	10BR	1000KP	1MP	10KSC
160#	-	-	-	-
200#	-	-	-	-
-	16BR	1600KP	1.6MP	16KSC
300#	-	-	-	-
-	25BR	2500KP	2.5MP	25KSC
400#	-	-	-	-
600#	40BR	4000KP	4MP	40KSC
800#	-	-	-	-
-	60BR	6000KP	6MP	60KSC
1000#	-	-	-	-
1500#	100BR	10000KP	10MP	100KSC
2000#	-	-	-	-
-	160BR	16000KP	16MP	160KSC
3000#	-	-	-	-
-	250BR	25000KP	25MP	250KSC
4000#	-	-	-	-
5000#	-	-	-	-
6000#	400BR	40000KP	40MP	400KSC
-	600BR	60000KP	60MP	600KSC
10000#	-	-	-	-
15000#	1000BR	100000KP	100MP	1000KSC

# 1008S 40mm (1½") Stainless Steel Case Pressure Gauge

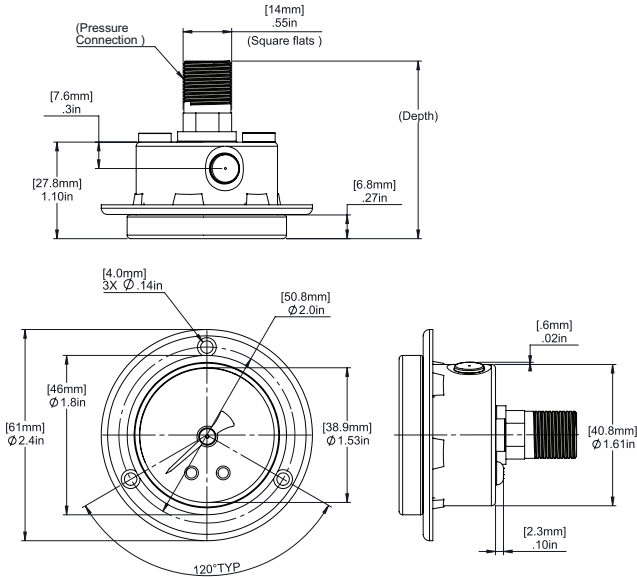
**DIMENSIONS** (dimensions in [ ] are millimeters)

**40mm 1008S 01L**



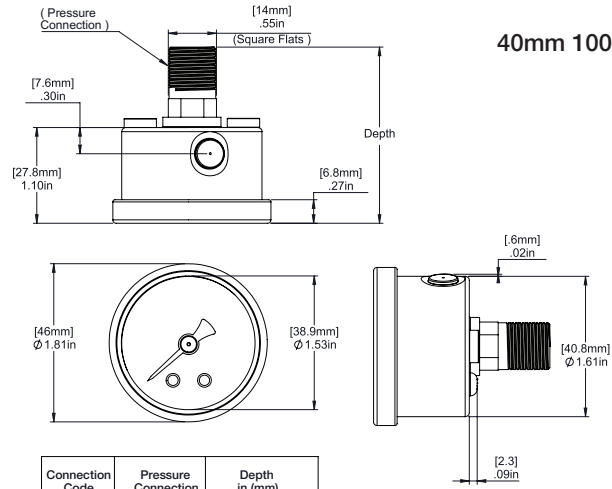
Connection Code	Pressure Connection	Height in (mm)
01	1/8 NPT	2.40(61.2)
02	1/4 NPT	2.60(66.2)

**40mm 1008S 01B XFF**



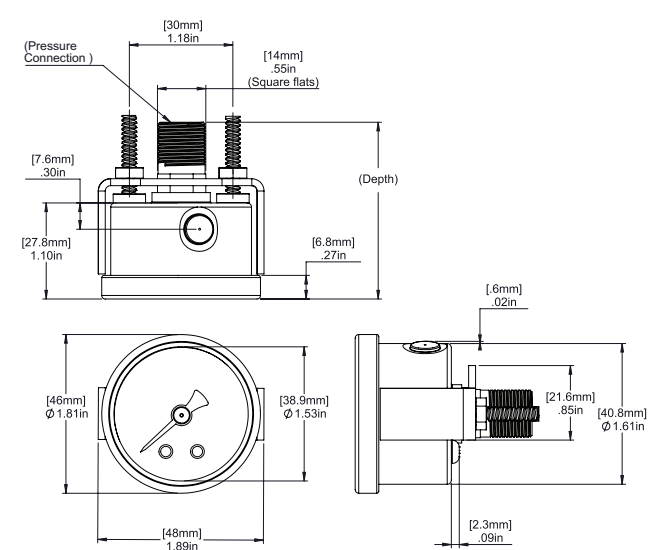
Connection Code	Pressure Connection	Depth in (mm)
01	1/8 NPT	1.82(46.2)
02	1/4 NPT	2.02(51.2)

**40mm 1008S 01B**



Connection Code	Pressure Connection	Depth in (mm)
01	1/8 NPT	1.82(46.2)
02	1/4 NPT	2.02(51.2)

**40mm 1008S 01B XUC**



Connection Code	Pressure Connection	Depth in (mm)
01	1/8 NPT	1.82(46.2)
02	1/4 NPT	2.02(51.2)

**Panel Cutout Dimensions for XFF and XUC**

Gauge Diameter	Min. Cutout Dia.	Max. Cutout Dia.
40mm	1.67" (42.5mm)	1.732" (44mm)