



SERIES EDA | MERCOID® ELECTRONIC PRESSURE CONTROLLER



FEATURES/BENEFITS

- Versatile compact package that can replace a separate gage, two switches, and a transmitter in a system saving money, installation time, and panel space
- Fully programmable to meet simple or complex application needs

APPLICATIONS

- Process control
- Compressor control

DESCRIPTION

Series EDA Electronic Pressure Control is an extremely versatile compact package that can replace a separate gage, two switches, and a transmitter in a system saving money, installation time, and panel space. The EDA incorporates two SPDT relays that have the on and off points fully adjustable over the range for control or alarm use. Front face has LED indicators for switch status and a large backlight two-line display showing process value and indication units. Programming is easy with simple menu structure, two-line display, and external programming buttons. Weatherproof housing is ideal for a wide variety of applications with panel mount, flush mount, or pipe mount ability

SPECIFICATIONS

Service	Compatible liquids and gases.
Wetted Materials	316L SS.
Housing	Glass filled plastic.
Accuracy	±1% of FS including linearity, hysteresis, and repeatability (indicator and transmitter).
Stability	< ±2% of FS per year.
Pressure Limits	1.5 x range.
Temperature Limits	Ambient: 20 to 140°F (-6.6 to 60°C); Process: 0 to 176°F (-18 to 80°C).
Compensated Temperature Limits	32 to 122°F (0 to 50°C).
Thermal Effect	±0.05% of F.S./°F.
Display	4-digit backlit LCD (Digits: 0.60" H x 0.33" W).
Power Requirements	12-30 VDC/AC.
Power Consumption	2.5 watts.
Electrical Connections	Removable terminal blocks with 1/2" female NPT conduit connections.
Enclosure Rating	Meets NEMA 4X (IP65).
Warm Up Time	<10 seconds.
Mounting Orientation	Any position.
Weight	1.18 lbs (535 g).
Agency Approvals	CE, UL.

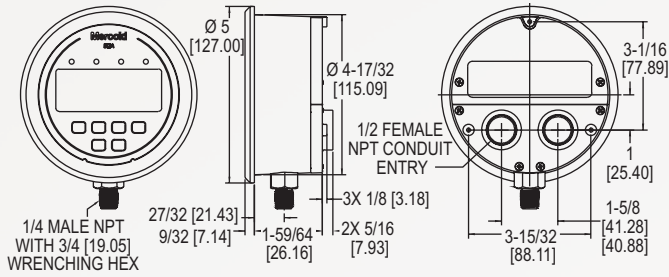
SWITCH SPECIFICATIONS

Switch Type	2 SPDT relays.
Electrical Rating	5 A @ 120/240 VAC, 1 A @ 30 VDC.
Repeatability	±1% of FS (switching only).
Set Points	Adjustable 0-100% of FS.
Switch Indication	External LED for each relay on the front panel.
Switch Reset	Manual or Automatic.

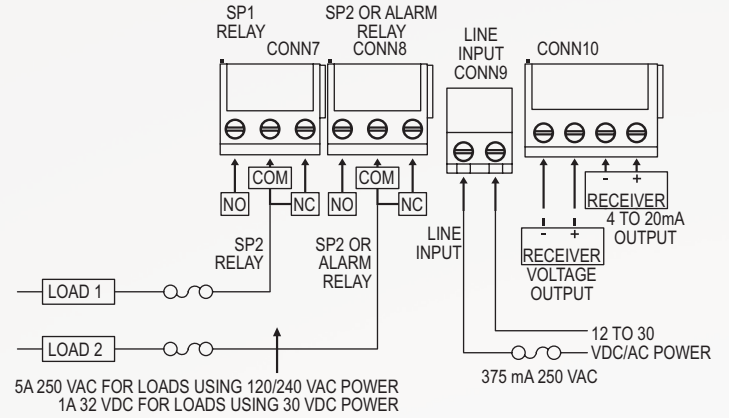
TRANSMITTER SPECIFICATIONS

Output Signal	4-20 mA, 1-6 VDC, 1-5 VDC, or 0-10 VDC (direct or reverse output selection).
Minimum Excitation	14 VDC.
Zero and Span Adjustments	Menu scalable within the range.

DIMENSIONS

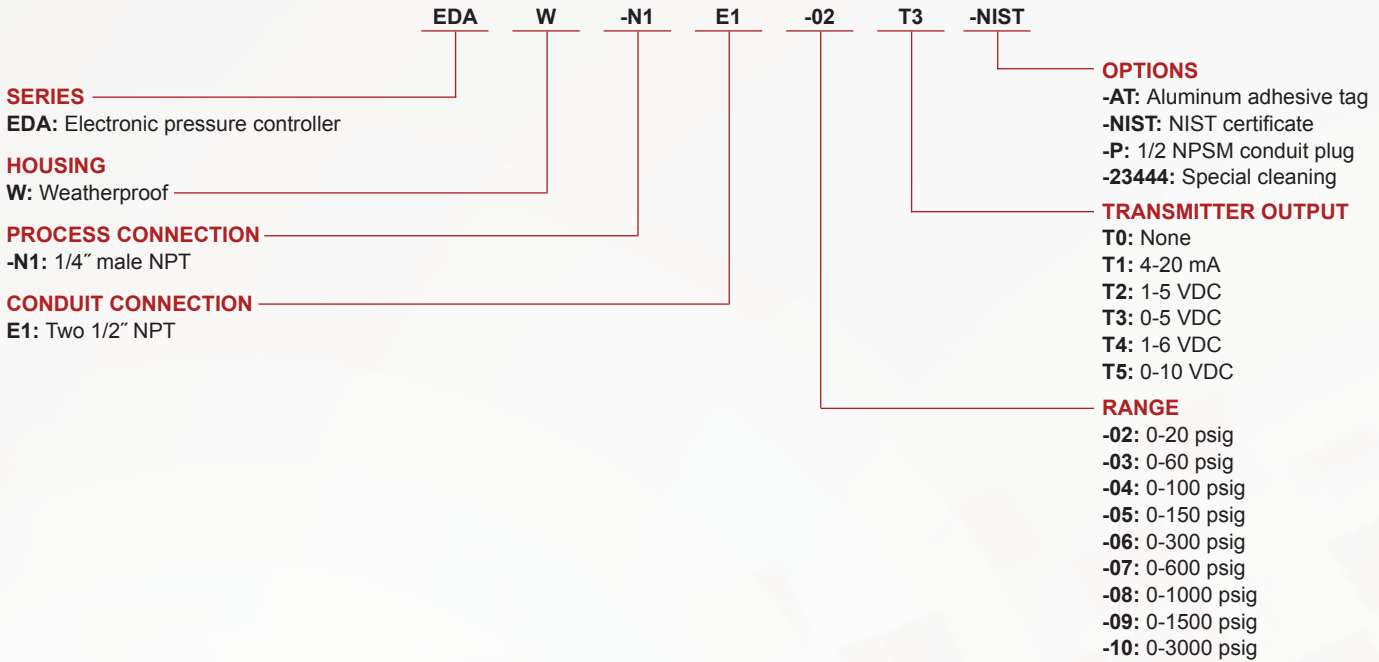


WIRING DIAGRAM



HOW TO ORDER

Use the **bold** characters from the chart below to construct a product code.



ACCESSORIES

Model	Description
A-590	1/2" conduit plug, watertight
A-EDA-BRK	Flush mount bracket for EDA, bracket is then surface mounted, steel with gray hammertone epoxy finish

ORDER ONLINE TODAY!

dwyer-inst.com/Product/SeriesEDA



DWYER INSTRUMENTS, INC.

©Copyright 2018 Dwyer Instruments, Inc.
Printed in U.S.A. 7/19

DS-EDA Rev. 1

Important Notice: Dwyer Instruments, Inc. reserves the right to make changes to or discontinue any product or service identified in this publication without notice. Dwyer advises its customers to obtain the latest version of the relevant information to verify, before placing any orders, that the information being relied upon is current.