

AE LB Series 65 kAIC Bolted Motor Starters and Contactors

Explosionproof, Dust-Ignitionproof, Watertight

Full Voltage. Combination and Non-Combination.

NEC:

Class I, Division 1 and 2, Groups C, D

Class I, Zone 1 and 2, Groups IIB

Class II, Division 1 and 2, Groups E, F, G

Class III

NEMA 4, 4X, 7BCD, 9EFG

Application

- Combination and non-combination motor starters are used in areas where hazardous materials are handled or stored.
- These units provide disconnecting means, undervoltage protection, circuit protection, and motor running protection.

Features

- 65,000 AIC. Highest interrupt rated enclosure in the industry.
- Copperfree cast aluminum.
- Precision machined flame path between box and cover.
- Bolt on slotted mounting feet.
- Stainless steel, captive Quad-Lead® cover bolts (disengage in 1-1/2 turns).
- External stainless steel breaker operating handle.
- Ground lug package and installation instructions for termination of ground wire enclosed.
- Four point control terminal block, NEMA 1B with wire markers.
- Breaker operators can be locked in the ON or OFF position (combination starters only).
- Four plugged 3/4" NPSM outlets drilled and tapped for control devices.
- Standard outlets top and bottom.
- Plugged 1/2" outlets top and bottom for optional breather/drain.
- Components are mounted on a galvanized steel removable pan.
- Enclosures are designed to accept Cutler-Hammer +, or Square D ■ motor starters/circuit breakers. For other manufacturers, contact your local representative.
- O-ring gasket insures watertight integrity.

Standard Materials

- Bodies and covers: copperfree (4/10 of 1%) aluminum
- Block hinges, cover bolts, handle, breaker and operator shafts: stainless steel
- O-ring: neoprene

Standard Finish

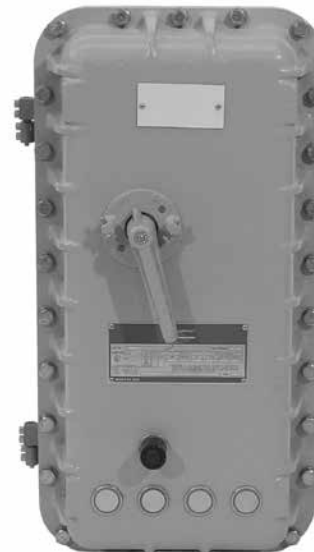
- Corrosion resistant gray powder coat epoxy inside and out

Options

- See options table.

NEC Certifications and Compliances

- UL Standards: UL 50, UL 1203
- UL Classified: E84577



CONTROLS: NEC/CEC EXPLOSIONPROOF MOTOR STARTERS

APPLETON™

+ Cutler-Hammer is a registered trademark of Eaton Corporation.

■ Square D is a registered trademark of Schneider Electric.

AELB Series 65 kAIC Bolted Motor Starters and Contactors

Explosionproof, Dust-Ignitionproof, Watertight

Full Voltage. Combination and Non-Combination.

NEC:

Class I, Division 1 and 2, Groups C, D
 Class I, Zone 1 and 2, Groups IIB
 Class II, Division 1 and 2, Groups E, F, G
 Class III
 NEMA 4, 4X, 7BCD, 9EFG

Catalog Numbering Guide

Example: The part number below depicts an Appleton, Class I, Division I, Groups C and D, NEMA Size 1, Bolted type, Combination Full Voltage Nonreversing Motor Starter operating at 480 Vac, Cutler-Hammer + starter w/120 Vac control voltage, and a Cutler-Hammer 7A MCP.

If a breaker is not required, omit last two characters.

CONTROLS: NEC/CEC EXPLOSIONPROOF MOTOR STARTERS

| <p>AEL NEC Certified AEL Series</p> | <p>B Enclosure Type: B Series</p> | <p>B</p> | <p>B</p> | <p>4</p> | <p>W</p> | <p>1 Control Voltage (120 V coil standard): 1 - 120 Vac 2 - 240 Vac 3 - 380 Vac 4 - 480 Vac 8 - 480 V Coil/120 V Control 9 - 208 Vac 0 - 277 Vac</p> | <p>C</p> | <p>2</p> | <p>▲ NEMA Size: 0 1 2 3 4 5</p> | <p>▲</p> | | | | | | | | | | | | | | | | | | | | | | | | | | | | | | | | | | | | | | | | | | | |
|--|--|-----------------|-----------------|--|-----------------|---|-----------------|-----------------|--|-----------------|-----------------------------|-----------|------------|-----------|------------|------------|------------|------------|------------|------------|------------|------------|------------|---|---|--|------------|-------------|------------|-------------|------------|--|------------|--|-------------|--|-------------|--|-------------|--|-------------|--|-------------|--|-------------|--|-------------|--|-------------|--|-------------|--|-------------|
| <table border="1" style="width: 100%; border-collapse: collapse;"> <thead> <tr> <th style="width: 10%;">Type</th> <th style="width: 15%;">Non-Combo</th> <th style="width: 15%;">Combo</th> <th style="width: 10%;">Enclosure Size</th> </tr> </thead> <tbody> <tr> <td></td> <td>0, 1, 2</td> <td>—</td> <td>A</td> </tr> <tr> <td>NEMA Size</td> <td>3</td> <td>0, 1, 2</td> <td>B</td> </tr> <tr> <td></td> <td>4</td> <td>3, 4</td> <td>F</td> </tr> <tr> <td></td> <td>5</td> <td>5</td> <td>L</td> </tr> </tbody> </table> | | | | Type | Non-Combo | Combo | Enclosure Size | | 0, 1, 2 | — | A | NEMA Size | 3 | 0, 1, 2 | B | | 4 | 3, 4 | F | | 5 | 5 | L | <p>Operating Voltage: 1 - 120 Vac 2 - 240 Vac 3 - 380 Vac 4 - 480 Vac 9 - 208 Vac</p> | <p>Breaker Manufacturer: ③ C - Cutler-Hammer S - Square D</p> | <p>Suffix for Options: See Options Table</p> | | | | | | | | | | | | | | | | | | | | | | | | | | | |
| Type | Non-Combo | Combo | Enclosure Size | | | | | | | | | | | | | | | | | | | | | | | | | | | | | | | | | | | | | | | | | | | | | | | | | | |
| | 0, 1, 2 | — | A | | | | | | | | | | | | | | | | | | | | | | | | | | | | | | | | | | | | | | | | | | | | | | | | | | |
| NEMA Size | 3 | 0, 1, 2 | B | | | | | | | | | | | | | | | | | | | | | | | | | | | | | | | | | | | | | | | | | | | | | | | | | | |
| | 4 | 3, 4 | F | | | | | | | | | | | | | | | | | | | | | | | | | | | | | | | | | | | | | | | | | | | | | | | | | | |
| | 5 | 5 | L | | | | | | | | | | | | | | | | | | | | | | | | | | | | | | | | | | | | | | | | | | | | | | | | | | |
| <p>Starter Function: A - FVNR (ATL) B - Combination FVNR M - Lighting Contactor (3- thru 12-pole) ① N - Combination Lighting Contactor (3- thru 12-pole) ①</p> <p>Optional Starter Function ②: C - FVR D - Combination FVR E - 2S1W F - Comb. 2S1W G - 2S2W H - Combination 2S2W J - Contactor (3 pole) K - Combination Contactor (3-pole)</p> | | | | <p>Starter Manufacturer: ③ W - Standard; Eaton/Cutler-Hammer (A200) C - Freedom (AN16) Bi Metal; Eaton/Cutler-Hammer A - Freedom (AN19) Electronic; Eaton/Cutler-Hammer S - Square D</p> | | <p>MCP or Breaker Trip:</p> <table border="0" style="width: 100%;"> <tr> <td style="width: 50%;">MCP:</td> <td style="width: 50%;">Breaker Trip (Thermal Mag):</td> </tr> <tr> <td>1 - 3 Amp</td> <td>A - 15 Amp</td> </tr> <tr> <td>2 - 7 Amp</td> <td>B - 20 Amp</td> </tr> <tr> <td>3 - 15 Amp</td> <td>C - 25 Amp</td> </tr> <tr> <td>4 - 30 Amp</td> <td>D - 30 Amp</td> </tr> <tr> <td>5 - 50 Amp</td> <td>E - 35 Amp</td> </tr> <tr> <td>6 - 70 Amp</td> <td>F - 40 Amp</td> </tr> <tr> <td>7 - 100 Amp</td> <td>G - 50 Amp</td> </tr> <tr> <td>8 - 150 Amp</td> <td>H - 60 Amp</td> </tr> <tr> <td>9 - 250 Amp</td> <td>J - 70 Amp</td> </tr> <tr> <td>0 - 400 Amp</td> <td>K - 80 Amp</td> </tr> <tr> <td></td> <td>M - 90 Amp</td> </tr> <tr> <td></td> <td>N - 100 Amp</td> </tr> <tr> <td></td> <td>P - 125 Amp</td> </tr> <tr> <td></td> <td>Q - 150 Amp</td> </tr> <tr> <td></td> <td>R - 175 Amp</td> </tr> <tr> <td></td> <td>S - 200 Amp</td> </tr> <tr> <td></td> <td>T - 225 Amp</td> </tr> <tr> <td></td> <td>U - 250 Amp</td> </tr> <tr> <td></td> <td>V - 300 Amp</td> </tr> <tr> <td></td> <td>W - 350 Amp</td> </tr> <tr> <td></td> <td>X - 400 Amp</td> </tr> </table> | | | | MCP: | Breaker Trip (Thermal Mag): | 1 - 3 Amp | A - 15 Amp | 2 - 7 Amp | B - 20 Amp | 3 - 15 Amp | C - 25 Amp | 4 - 30 Amp | D - 30 Amp | 5 - 50 Amp | E - 35 Amp | 6 - 70 Amp | F - 40 Amp | 7 - 100 Amp | G - 50 Amp | 8 - 150 Amp | H - 60 Amp | 9 - 250 Amp | J - 70 Amp | 0 - 400 Amp | K - 80 Amp | | M - 90 Amp | | N - 100 Amp | | P - 125 Amp | | Q - 150 Amp | | R - 175 Amp | | S - 200 Amp | | T - 225 Amp | | U - 250 Amp | | V - 300 Amp | | W - 350 Amp | | X - 400 Amp |
| MCP: | Breaker Trip (Thermal Mag): | | | | | | | | | | | | | | | | | | | | | | | | | | | | | | | | | | | | | | | | | | | | | | | | | | | | |
| 1 - 3 Amp | A - 15 Amp | | | | | | | | | | | | | | | | | | | | | | | | | | | | | | | | | | | | | | | | | | | | | | | | | | | | |
| 2 - 7 Amp | B - 20 Amp | | | | | | | | | | | | | | | | | | | | | | | | | | | | | | | | | | | | | | | | | | | | | | | | | | | | |
| 3 - 15 Amp | C - 25 Amp | | | | | | | | | | | | | | | | | | | | | | | | | | | | | | | | | | | | | | | | | | | | | | | | | | | | |
| 4 - 30 Amp | D - 30 Amp | | | | | | | | | | | | | | | | | | | | | | | | | | | | | | | | | | | | | | | | | | | | | | | | | | | | |
| 5 - 50 Amp | E - 35 Amp | | | | | | | | | | | | | | | | | | | | | | | | | | | | | | | | | | | | | | | | | | | | | | | | | | | | |
| 6 - 70 Amp | F - 40 Amp | | | | | | | | | | | | | | | | | | | | | | | | | | | | | | | | | | | | | | | | | | | | | | | | | | | | |
| 7 - 100 Amp | G - 50 Amp | | | | | | | | | | | | | | | | | | | | | | | | | | | | | | | | | | | | | | | | | | | | | | | | | | | | |
| 8 - 150 Amp | H - 60 Amp | | | | | | | | | | | | | | | | | | | | | | | | | | | | | | | | | | | | | | | | | | | | | | | | | | | | |
| 9 - 250 Amp | J - 70 Amp | | | | | | | | | | | | | | | | | | | | | | | | | | | | | | | | | | | | | | | | | | | | | | | | | | | | |
| 0 - 400 Amp | K - 80 Amp | | | | | | | | | | | | | | | | | | | | | | | | | | | | | | | | | | | | | | | | | | | | | | | | | | | | |
| | M - 90 Amp | | | | | | | | | | | | | | | | | | | | | | | | | | | | | | | | | | | | | | | | | | | | | | | | | | | | |
| | N - 100 Amp | | | | | | | | | | | | | | | | | | | | | | | | | | | | | | | | | | | | | | | | | | | | | | | | | | | | |
| | P - 125 Amp | | | | | | | | | | | | | | | | | | | | | | | | | | | | | | | | | | | | | | | | | | | | | | | | | | | | |
| | Q - 150 Amp | | | | | | | | | | | | | | | | | | | | | | | | | | | | | | | | | | | | | | | | | | | | | | | | | | | | |
| | R - 175 Amp | | | | | | | | | | | | | | | | | | | | | | | | | | | | | | | | | | | | | | | | | | | | | | | | | | | | |
| | S - 200 Amp | | | | | | | | | | | | | | | | | | | | | | | | | | | | | | | | | | | | | | | | | | | | | | | | | | | | |
| | T - 225 Amp | | | | | | | | | | | | | | | | | | | | | | | | | | | | | | | | | | | | | | | | | | | | | | | | | | | | |
| | U - 250 Amp | | | | | | | | | | | | | | | | | | | | | | | | | | | | | | | | | | | | | | | | | | | | | | | | | | | | |
| | V - 300 Amp | | | | | | | | | | | | | | | | | | | | | | | | | | | | | | | | | | | | | | | | | | | | | | | | | | | | |
| | W - 350 Amp | | | | | | | | | | | | | | | | | | | | | | | | | | | | | | | | | | | | | | | | | | | | | | | | | | | | |
| | X - 400 Amp | | | | | | | | | | | | | | | | | | | | | | | | | | | | | | | | | | | | | | | | | | | | | | | | | | | | |

① Standard starter is manufactured by Square D; electrically operated, electrically held. Optional starter manufacture is ASCO; electrically operated, mechanically held. Contact your local sales representative for details.

② Contact your local sales representative for details.

③ Contact your local sales representative for manufactures (Allen Bradley, Sprecher and Schuh, Siemens, GE).

AE LB Series 65 kAIC Bolted Motor Starters and Contactors

Explosionproof, Dust-Ignitionproof, Watertight

Full Voltage. Combination and Non-Combination.

NEC:

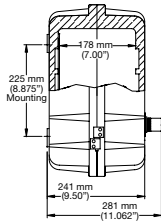
- Class I, Division 1 and 2, Groups C, D
- Class I, Zone 1 and 2, Groups IIB
- Class II, Division 1 and 2, Groups E, F, G
- Class III
- NEMA 4, 4X, 7BCD, 9EFG

Full Voltage Nonreversing

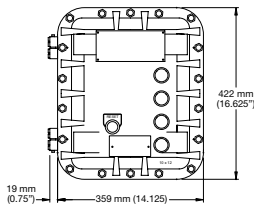
| NEMA Size | Approximate Weight kg (lb) | Standard Conduit (Inches) | Mounting Hardware Set Catalog Number |
|-----------|----------------------------|---------------------------|--------------------------------------|
| 0 | 36 (80) | 1-1/2 | AMH7 |
| 1 | 36 (80) | | |
| 2 | 39 (85) | | |
| 3 | 64 (140) | 2 | |
| 4 | 64 (140) | 2-1/2 | AMH8 |
| 5 | 227 (500) | 4 | |

Dimensions in Millimeters (Inches) – Starter Only

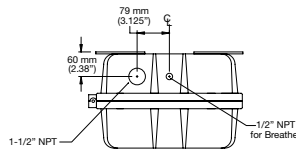
Enclosure Layout for Size 0, 1 and 2 – Starter Only



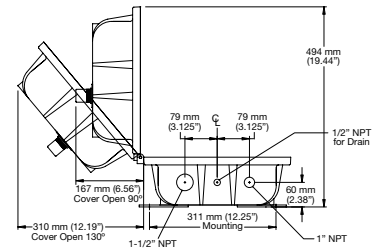
Left Side View



Front View

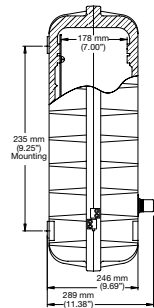


Top View

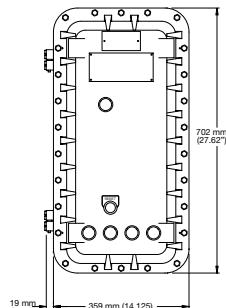


Bottom View

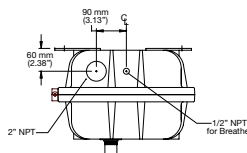
Enclosure Layout for Size 3 – Starter Only



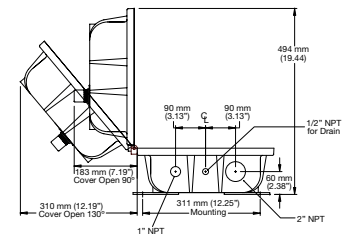
Left Side View



Front View



Top View



Bottom View

▲ To complete the catalog number please add the appropriate suffix for other options/features. Suffixes, see AEB Series Motor Starters Modifications.

CONTROLS: NEC/CEC EXPLOSIONPROOF MOTOR STARTERS

APPLETON™

AELB Series 65 kAIC Bolted Motor Starters and Contactors

Explosionproof, Dust-Ignitionproof, Watertight

Full Voltage. Combination and Non-Combination.

NEC:

Class I, Division 1 and 2, Groups C, D

Class I, Zone 1 and 2, Groups IIB

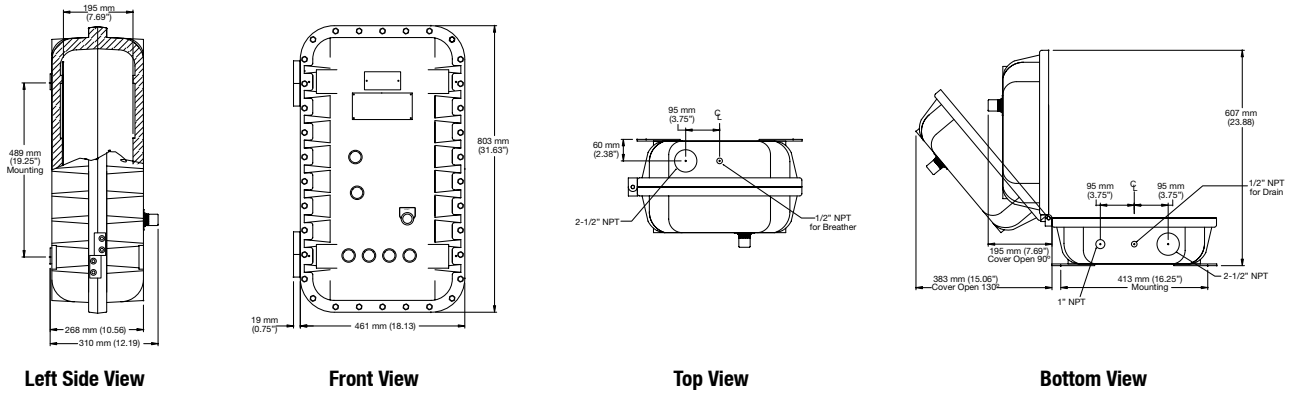
Class II, Division 1 and 2, Groups E, F, G

Class III

NEMA 4, 4X, 7BCD, 9EFG

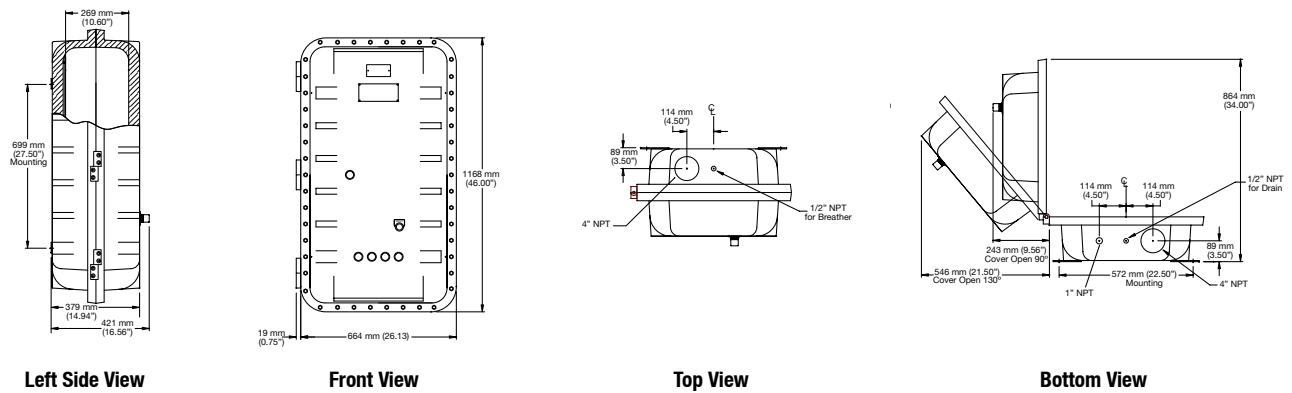
Dimensions in Millimeters (Inches) – Starter Only

Enclosure Layout for Size 4 – Starter Only



CONTROLS: NEC/CEC EXPLOSIONPROOF MOTOR STARTERS

Enclosure Layout for Size 5 – Starter Only



APPLETON

AE LB Series 65 kAIC Bolted Motor Starters and Contactors

Explosionproof, Dust-Ignitionproof, Watertight

Full Voltage. Combination and Non-Combination.

NEC:

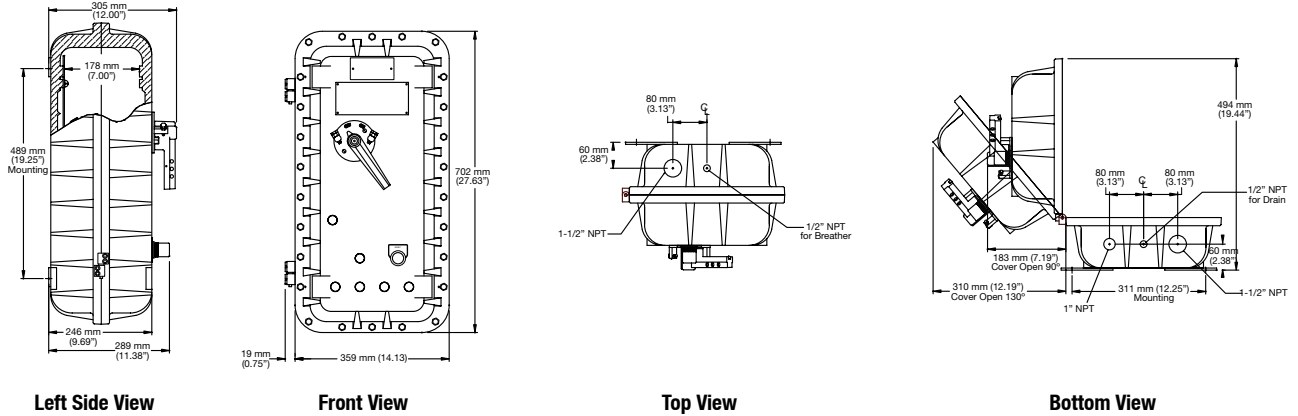
- Class I, Division 1 and 2, Groups C, D
- Class I, Zone 1 and 2, Groups IIB
- Class II, Division 1 and 2, Groups E, F, G
- Class III
- NEMA 4, 4X, 7BCD, 9EFG

Combination Full Voltage Nonreversing

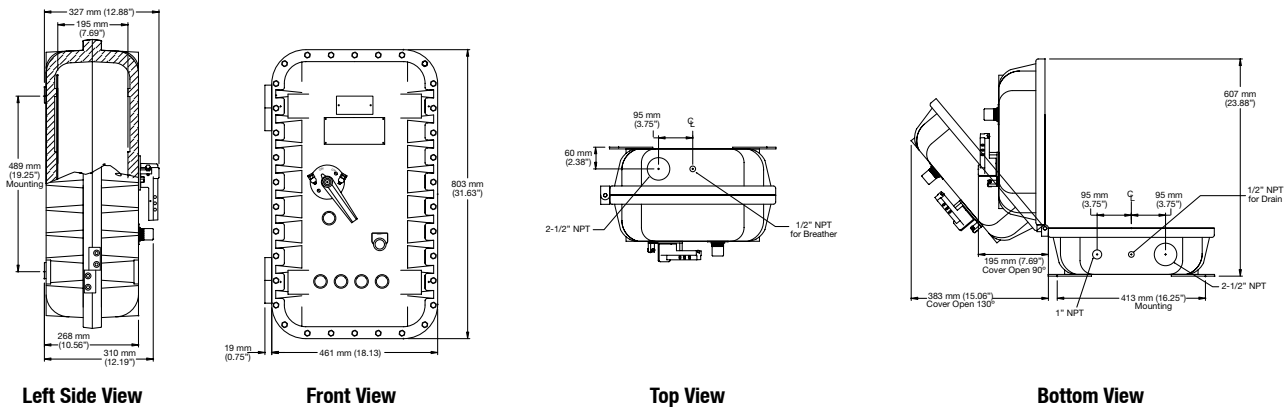
| NEMA Size | Approximate Weight kg (lb) | Standard Conduit (Inches) | Mounting Hardware Set Catalog Number |
|-----------|----------------------------|---------------------------|--------------------------------------|
| 0 | 36 (80) | 1-1/2 | AMH7 |
| 1 | 36 (80) | | |
| 2 | 39 (85) | | |
| 3 | 64 (140) | 2-1/2 | AMH8 |
| 4 | 64 (140) | | |
| 5 | 227 (500) | 4 | |

Dimensions in Millimeters (Inches) – Combination

Enclosure Layout for Size 0, 1 and 2 – Combination



Enclosure Layout for Size 3 and 4 – Combination



▲ To complete the catalog number please add the appropriate suffix for other options/features. Suffixes, see AEB Series Motor Starters Modifications.

CONTROLS: NEC/CEC EXPLOSIONPROOF MOTOR STARTERS

APPLETON™

AELB Series 65 kAIC Bolted Motor Starters and Contactors

Explosionproof, Dust-Ignitionproof, Watertight

Full Voltage. Combination and Non-Combination.

NEC/CEC:

Class I, Division 1 and 2, Groups B, C, D

Class I, Zone 1 and 2, Groups IIB + H₂

Class II, Division 1 and 2, Groups E, F, G NEC:

Class I, Division 1 and 2, Groups C, D

Class I, Zone 1 and 2, Groups IIB

Class II, Division 1 and 2, Groups E, F, G

Class III

NEMA 4, 4X, 7BCD, 9EFG

Class III

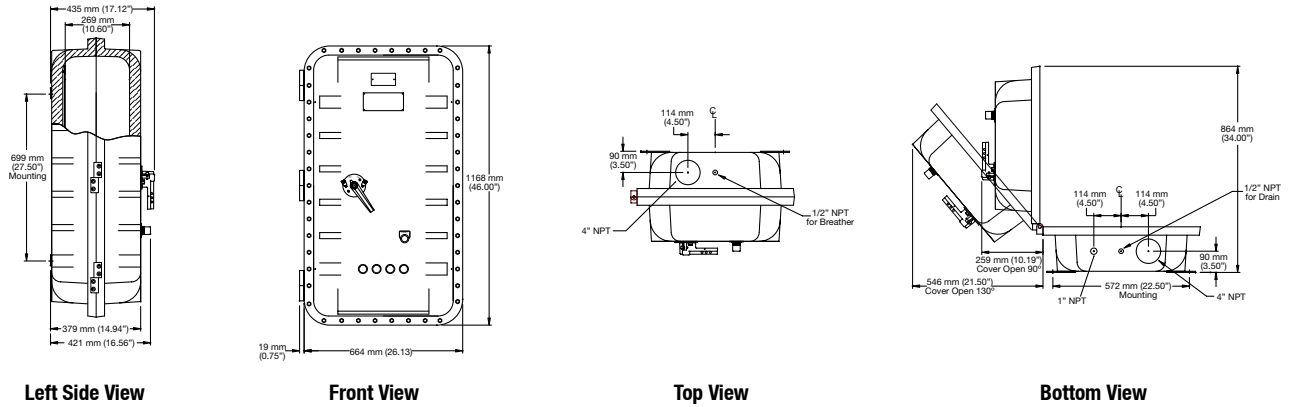
NEC/CEC:

NEMA 4, 4X, 7BCD, 9EFG

CSA Type 4, 4X

Dimensions in Millimeters (Inches) – Combination

Enclosure Layout for Size 5 – Combination



CONTROLS: NEC/CEC EXPLOSIONPROOF MOTOR STARTERS

APPLETON™

AELB Series 65 kAIC Bolted Motor Starters and Contactors

Explosionproof, Dust-Ignitionproof, Watertight

Full Voltage. Combination and Non-Combination.

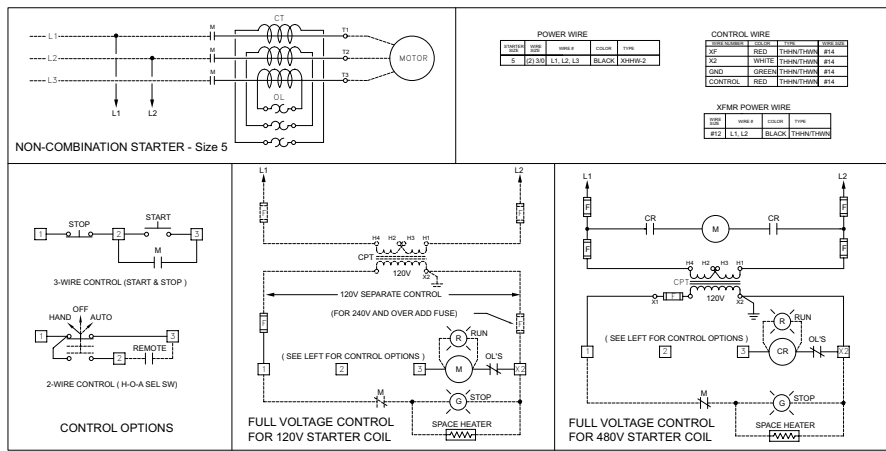
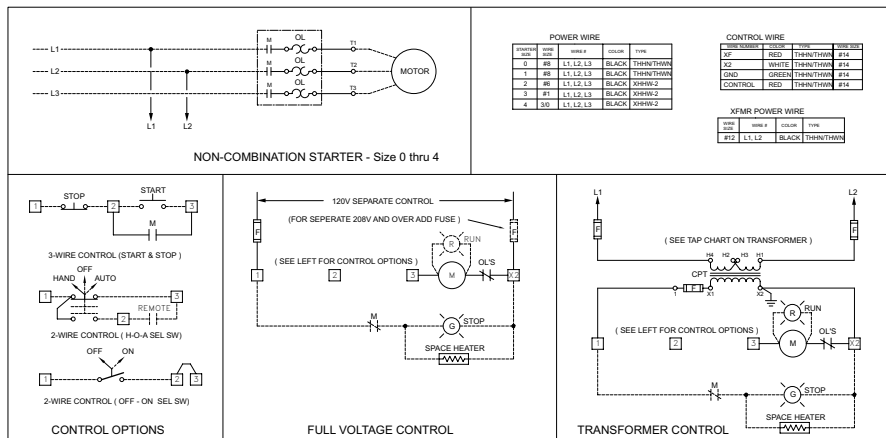
NEC:

- Class I, Division 1 and 2, Groups C, D
- Class I, Zone 1 and 2, Groups IIB
- Class II, Division 1 and 2, Groups E, F, G
- Class III
- NEMA 4, 4X, 7BCD, 9EFG

Full Voltage Motor Starter – Nonreversing – 3-Phase, 60 Hertz, 120 V Coil

| Line Voltage | NEMA Size | Maximum Horsepower | Amp Trip | Catalog Number [▲] | Approximate Weight kg (lb) | Conduit Size (Inches) | Mounting Hardware Set Catalog Number |
|--------------|-----------|--------------------|-------------------|-----------------------------|----------------------------|-----------------------|--------------------------------------|
| 480 | 0 | 5 | NA | AELABA4W10 | 36 (80) | 1-1/2 | AMH7 |
| | 1 | 10 | NA | AELABA4W11 | 36 (80) | | |
| | 2 | 25 | NA | AELABA4W12 | 39 (85) | 2 | |
| | 3 | 50 | NA | AELBBA4W13 | 64 (140) | | |
| | 4 | 100 | NA | AELFBA4W14 | 64 (140) | 2-1/2 | |
| 5 | 200 | NA | AELLBA4W15 | 227 (500) | 4 | AMH8 | |

Wiring Diagrams



▲ To complete the catalog number please add the appropriate suffix for other options/features. Suffixes, see AEB Series Motor Starters Modifications.

AELB Series 65 kAIC Bolted Motor Starters and Contactors

Explosionproof, Dust-Ignitionproof, Watertight

Full Voltage. Combination and Non-Combination.

NEC:

Class I, Division 1 and 2, Groups C, D

Class I, Zone 1 and 2, Groups IIB

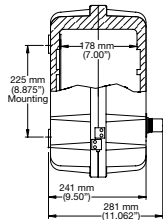
Class II, Division 1 and 2, Groups E, F, G

Class III

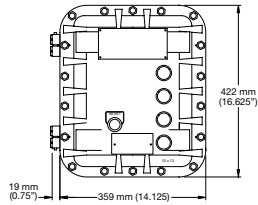
NEMA 4, 4X, 7BCD, 9EFG

Dimensions in Millimeters (Inches) – Starter Only

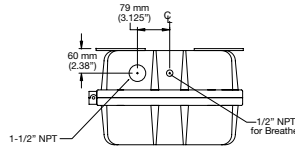
Enclosure Layout for Size 0, 1 and 2 – Starter Only



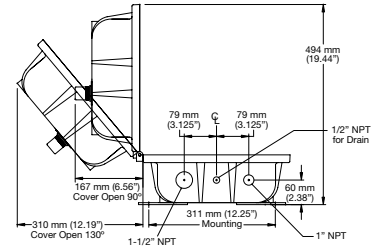
Left Side View



Front View

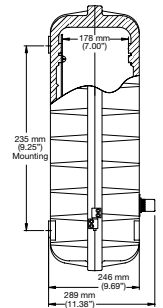


Top View

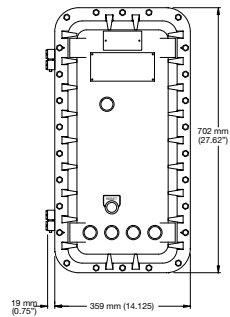


Bottom View

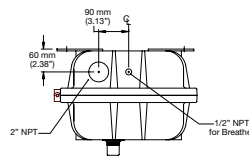
Enclosure Layout for Size 3 – Starter Only



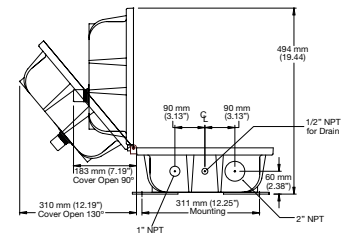
Left Side View



Front View



Top View



Bottom View

CONTROLS: NEC/CEC EXPLOSIONPROOF MOTOR STARTERS

APPLETON

AELB Series 65 kAIC Bolted Motor Starters and Contactors

Explosionproof, Dust-Ignitionproof, Watertight

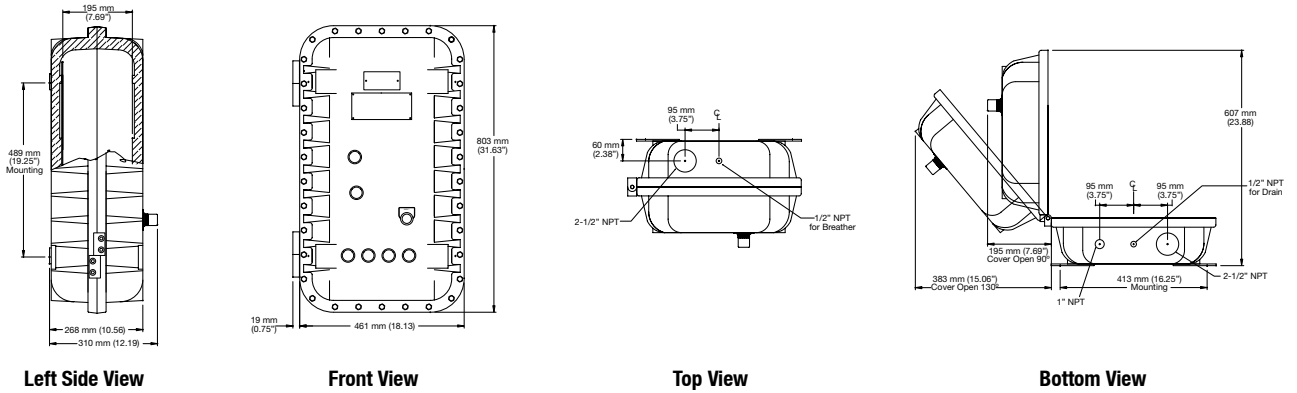
Full Voltage. Combination and Non-Combination.

NEC:

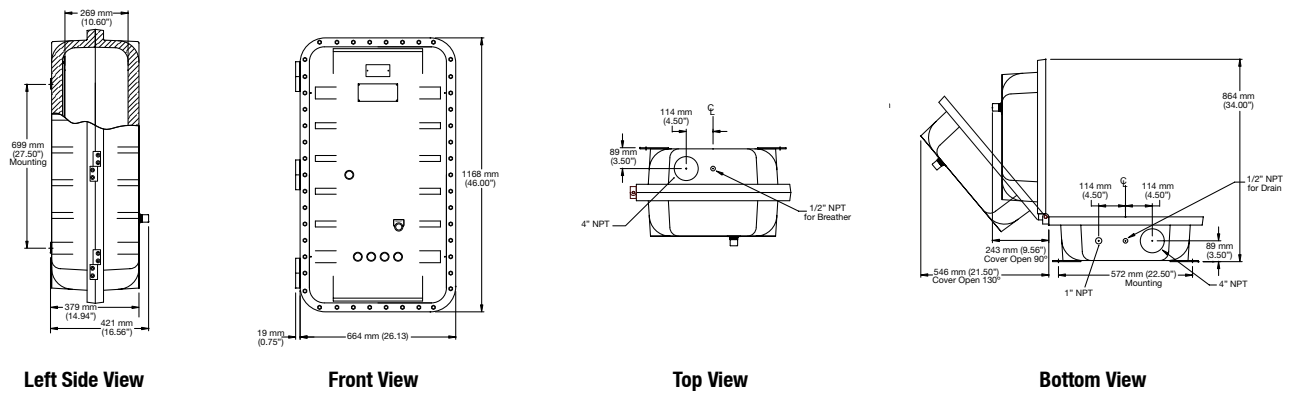
- Class I, Division 1 and 2, Groups C, D
- Class I, Zone 1 and 2, Groups IIB
- Class II, Division 1 and 2, Groups E, F, G
- Class III
- NEMA 4, 4X, 7BCD, 9EFG

Dimensions in Millimeters (Inches) – Starter Only

Enclosure Layout for Size 4 – Starter Only



Enclosure Layout for Size 5 – Starter Only



CONTROLS: NEC/CEC EXPLOSIONPROOF MOTOR STARTERS

APPLETON

AELB Series 65 kAIC Bolted Motor Starters and Contactors

Explosionproof, Dust-Ignitionproof, Watertight

Full Voltage. Combination and Non-Combination.

NEC:

Class I, Division 1 and 2, Groups C, D

Class I, Zone 1 and 2, Groups IIB

Class II, Division 1 and 2, Groups E, F, G

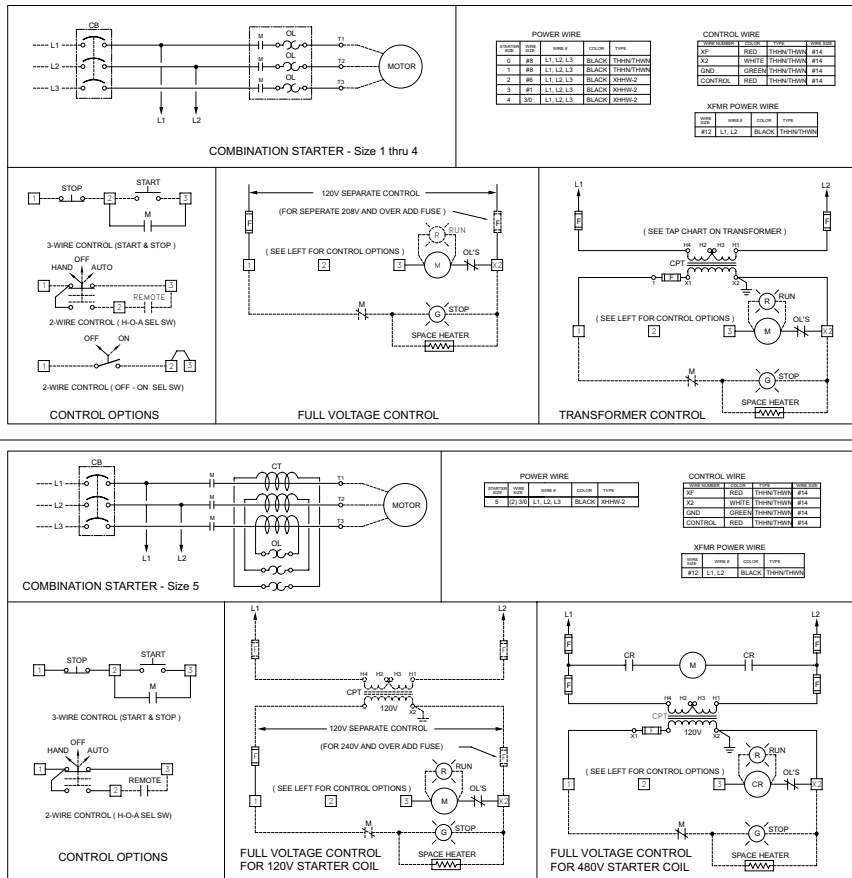
Class III

NEMA 4, 4X, 7BCD, 9EFG

Combination Full Voltage Motor Starters With Motor Circuit Protector (MCP) – Nonreversing – 3-Phase, 60 Hertz, 120 V Coil

| Line Voltage | NEMA Size | Maximum Horsepower | Amp Trip | Catalog Number [▲] | Approximate Weight kg (lb) | Conduit Size (Inches) | Mounting Hardware Set Catalog Number |
|--------------|-----------|--------------------|--------------|-----------------------------|----------------------------|-----------------------|--------------------------------------|
| 480 | 0 | 1 | 3 | AELBBB4W1C10 | 57 (125) | 1-1/2 | AMH7 |
| | | 3 | 7 | AELBBB4W1C20 | 57 (125) | | |
| | 5 | 15 | AELBBB4W1C30 | 57 (125) | | | |
| | 1 | 7 | 15 | AELBBB4W1C31 | 57 (125) | | |
| | | 10 | 30 | AELBBB4W1C41 | 59 (130) | | |
| | 2 | 12 | 30 | AELBBB4W1C42 | 59 (130) | 2-1/2 | |
| | | 25 | 50 | AELBBB4W1C52 | 59 (130) | | |
| | 3 | 30 | 50 | AELFBB4W1C53 | 88 (195) | 4 | |
| | | 50 | 100 | AELFBB4W1C73 | 88 (195) | | |
| | 4 | 100 | 150 | AELFBB4W1C84 | 88 (195) | | |
| 5 | 200 | 400 | AELLBB4W1C05 | 227 (500) | | AMH8 | |

Wiring Diagram



▲ To complete the catalog number please add the appropriate suffix for other options/features. Suffixes, see AEB Series Motor Starters Modifications.

AE LB Series 65 kAIC Bolted Motor Starters and Contactors

Explosionproof, Dust-Ignitionproof, Watertight

Full Voltage. Combination and Non-Combination.

NEC:

Class I, Division 1 and 2, Groups C, D

Class I, Zone 1 and 2, Groups IIB

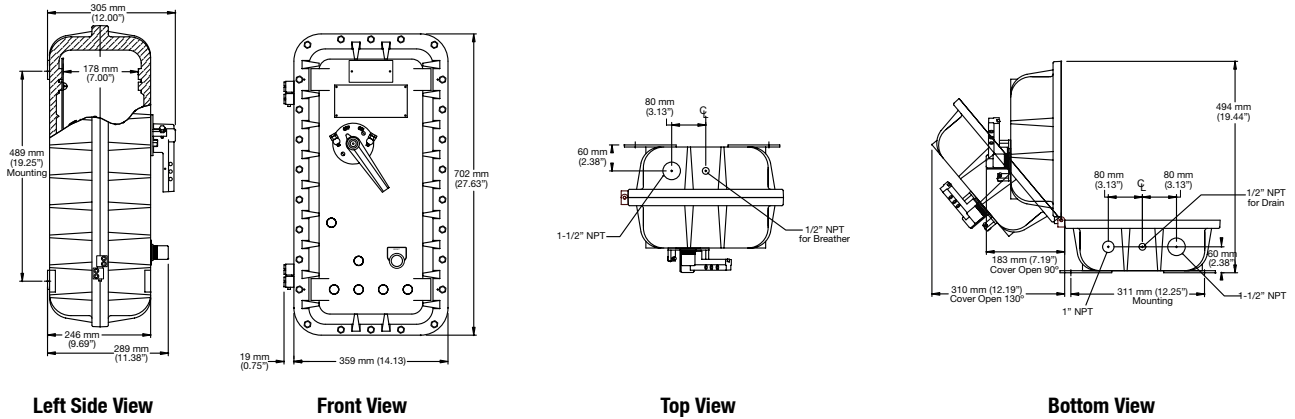
Class II, Division 1 and 2, Groups E, F, G

Class III

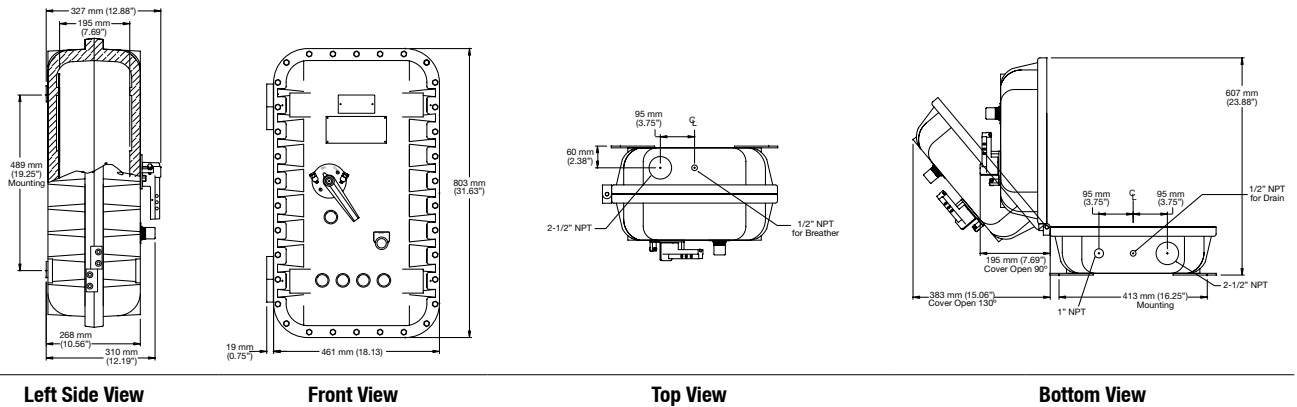
NEMA 4, 4X, 7BCD, 9EFG

Dimensions in Millimeters (Inches) — Combination

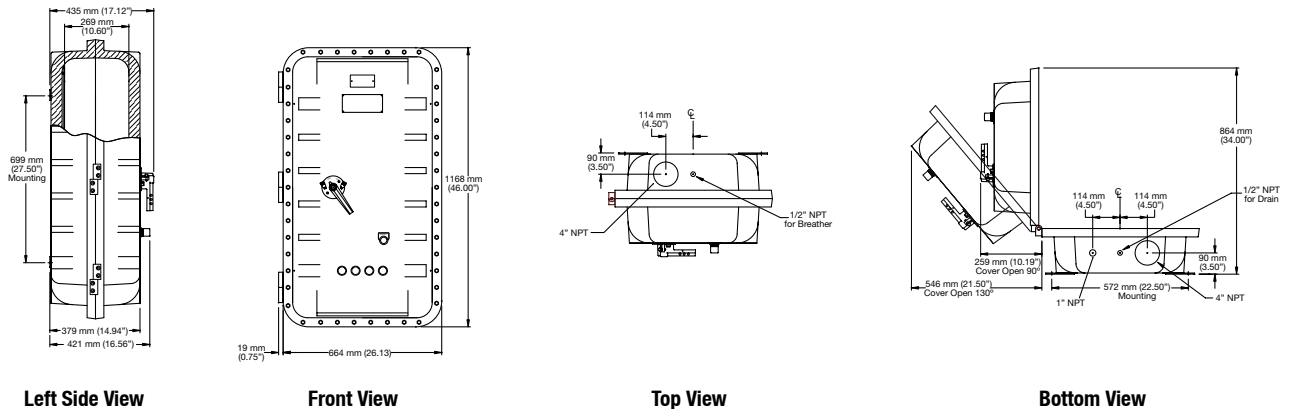
Enclosure Layout for Size 0, 1 and 2 — Combination



Enclosure Layout for Size 3 and 4 — Combination



Enclosure Layout for Size 5 — Combination



CONTROLS: NEC/CEC EXPLOSIONPROOF MOTOR STARTERS

APPLETON

AELB Series 65 kAIC Bolted Motor Starters and Contactors

Explosionproof, Dust-Ignitionproof, Watertight

Full Voltage. Combination and Non-Combination.

NEC:

Class I, Division 1 and 2, Groups C, D

Class I, Zone 1 and 2, Groups IIB

Class II, Division 1 and 2, Groups E, F, G

Class III

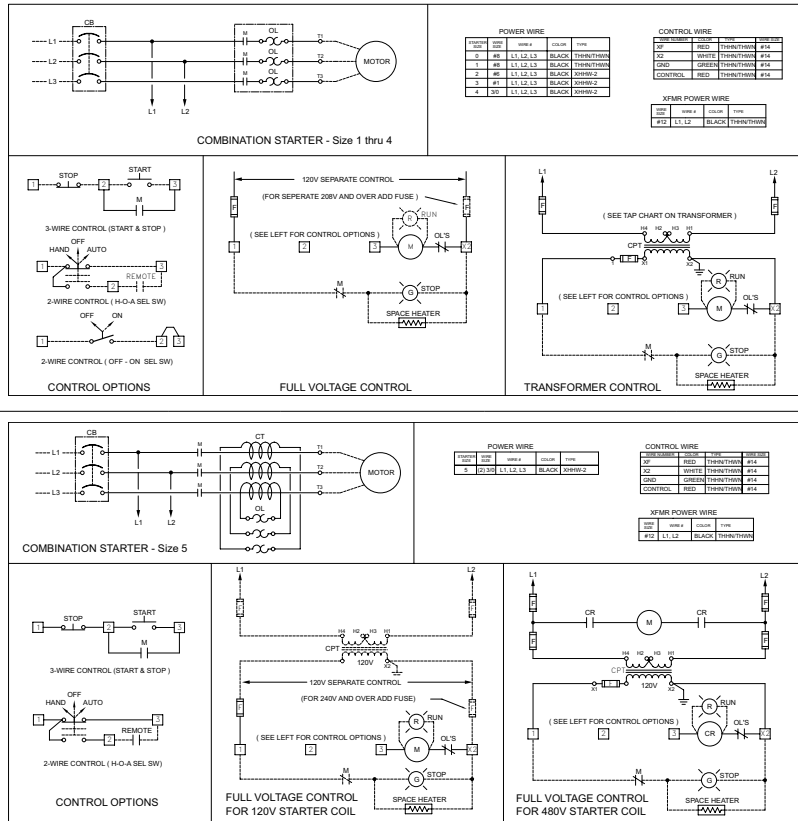
NEMA 4, 4X, 7BCD, 9EFG

CONTROLS: NEC/CEC EXPLOSIONPROOF MOTOR STARTERS

Combination Full Voltage Motor Starters with Thermal Magnetic Circuit Breaker – Nonreversing – 3-Phase, 60 Hertz, 120 V Coil

| Line Voltage | NEMA Size | Maximum Horsepower | Amp Trip | Catalog Number [▲] | Approximate Weight kg (lb) | Conduit Size (Inches) | Mounting Hardware Set Catalog Number |
|--------------|-----------|--------------------|---------------------|-----------------------------|----------------------------|-----------------------|--------------------------------------|
| 480 | 0 | 3 | 15 | AELBBB4W1CA0 | 57 (125) | 1-1/2 | AMH7 |
| | | 5 | 20 | AELBBB4W1CB0 | 57 (125) | | |
| | 1 | 7-1/2 | 30 | AELBBB4W1CD1 | 57 (125) | | |
| | | 10 | 35 | AELBBB4W1CE1 | 57 (125) | | |
| | 2 | 20 | 50 | AELBBB4W1CG2 | 59 (130) | 2-1/2 | AMH8 |
| | | 25 | 70 | AELBBB4W1CJ2 | 59 (130) | | |
| | 3 | 50 | 100 | AELFBB4W1CN3 | 88 (195) | 4 | AMH8 |
| | | | 125 | AELFBB4W1CP3 | 88 (195) | | |
| | | 75 | 150 | AELFBB4W1CQ4 | 88 (195) | | |
| | | | 100 | 200 | AELFBB4W1CS4 | | |
| 125 | | 250 | AELLBB4W1CU5 | 227 (500) | | | |
| 5 | 150 | 300 | AELLBB4W1CV5 | 227 (500) | | | |
| | 200 | 400 | AELLBB4W1CX5 | 227 (500) | | | |

Wiring Diagram



▲ To complete the catalog number please add the appropriate suffix for other options/features. Suffixes, see AEB Series Motor Starters Modifications.

AELB Series 65 kAIC Bolted Motor Starters and Contactors

Explosionproof, Dust-Ignitionproof, Watertight

Full Voltage. Combination and Non-Combination.

NEC:

Class I, Division 1 and 2, Groups C, D

Class I, Zone 1 and 2, Groups IIB

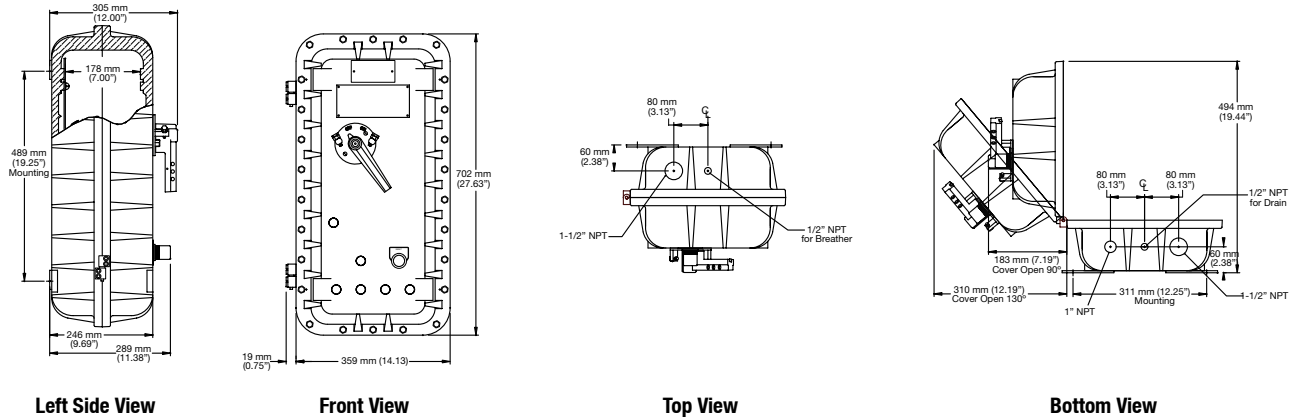
Class II, Division 1 and 2, Groups E, F, G

Class III

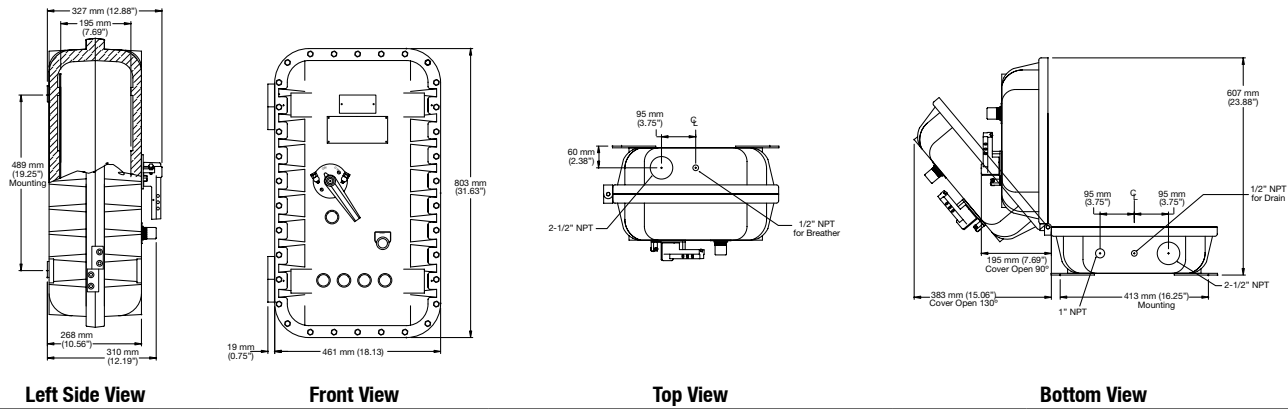
NEMA 4, 4X, 7BCD, 9EFG

Dimensions in Millimeters (Inches) – Combination

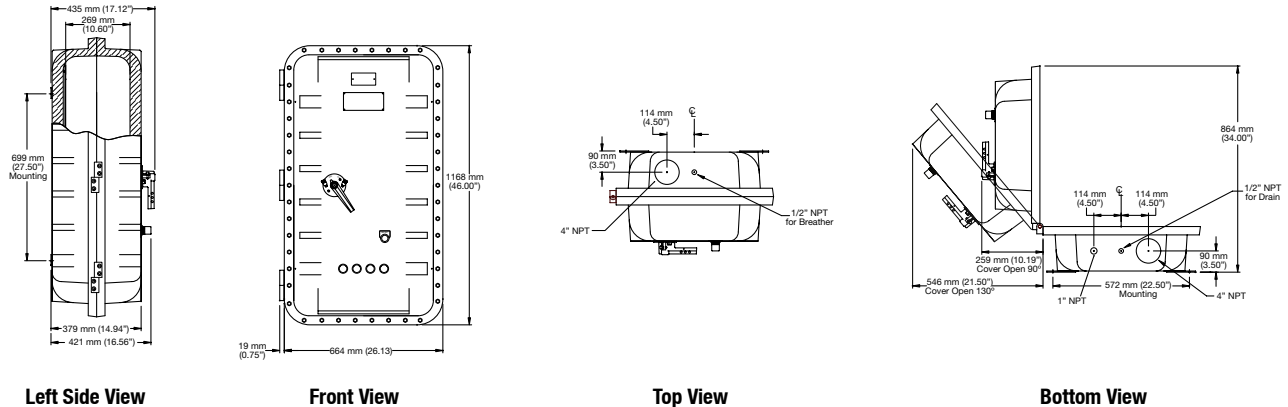
Enclosure Layout for Size 0, 1 and 2 – Combination



Enclosure Layout for Size 3 and 4 – Combination



Enclosure Layout for Size 5 – Combination



CONTROLS: NEC/CEC EXPLOSIONPROOF MOTOR STARTERS

APPLETON

AELB Series 65 kAIC Bolted Motor Starters and Contactors

Explosionproof, Dust-Ignitionproof, Watertight

Full Voltage. Combination and Non-Combination.

NEC:

Class I, Division 1 and 2, Groups C, D

Class I, Zone 1 and 2, Groups IIB

Class II, Division 1 and 2, Groups E, F, G

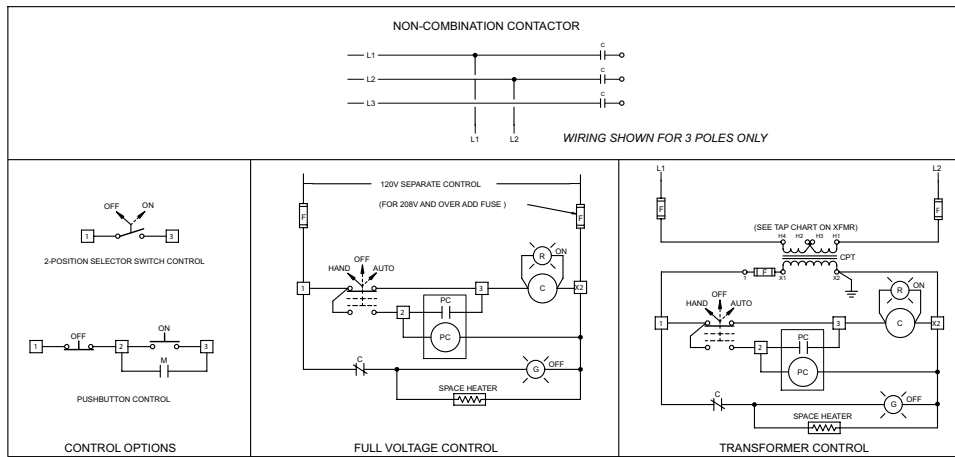
Class III

NEMA 4, 4X, 7BCD, 9EFG

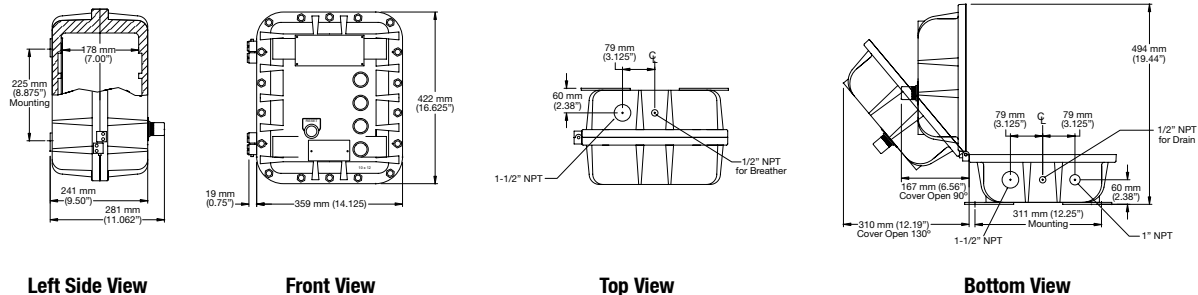
Lighting Contactor – 3-Pole – 60 Hertz, 120 V Coil

| Line Voltage | Enclosure Size | Contactors Amps | Number of Poles | Catalog Number [▲] | Approximate Weight kg (lb) | Conduit Size (Inches) | Mounting Hardware Set Catalog Number |
|--------------|----------------|-----------------|-----------------|-----------------------------|----------------------------|-----------------------|--------------------------------------|
| 120 | 1 | 30 | 3 | AELABM1S13 | 57 (125) | 1-1/2 | AMH7 |
| | | | 6 | AELABM1S16 | | | |
| | | | 9 | AELABM1S19 | | | |
| | | | 12 | AELABM1S112 | | | |

Wiring Diagram



Dimensions in Millimeters (Inches) – Lighting Contactor



▲ To complete the catalog number please add the appropriate suffix for other options/features. Suffixes, see AEB Series Motor Starters Modifications.

AELB Series 65 kAIC Bolted Motor Starters and Contactors

Explosionproof, Dust-Ignitionproof, Watertight

Full Voltage. Combination and Non-Combination.

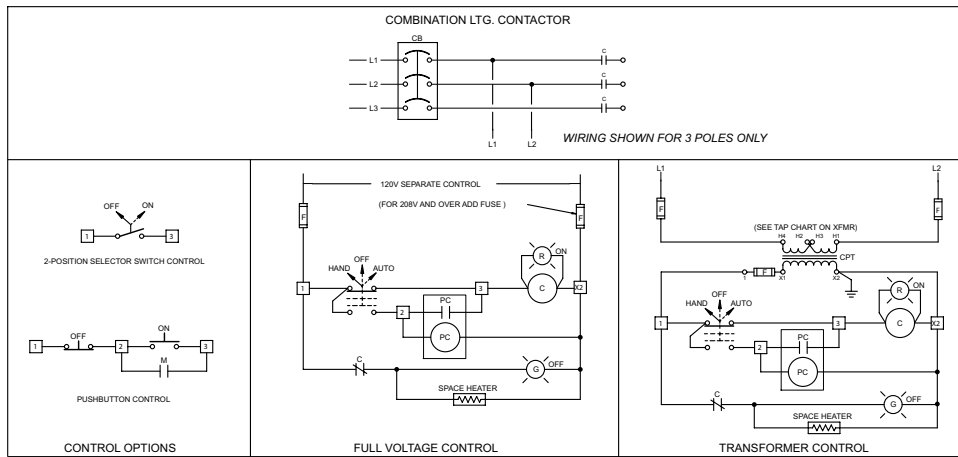
NEC:

- Class I, Division 1 and 2, Groups C, D
- Class I, Zone 1 and 2, Groups IIB
- Class II, Division 1 and 2, Groups E, F, G
- Class III
- NEMA 4, 4X, 7BCD, 9EFG

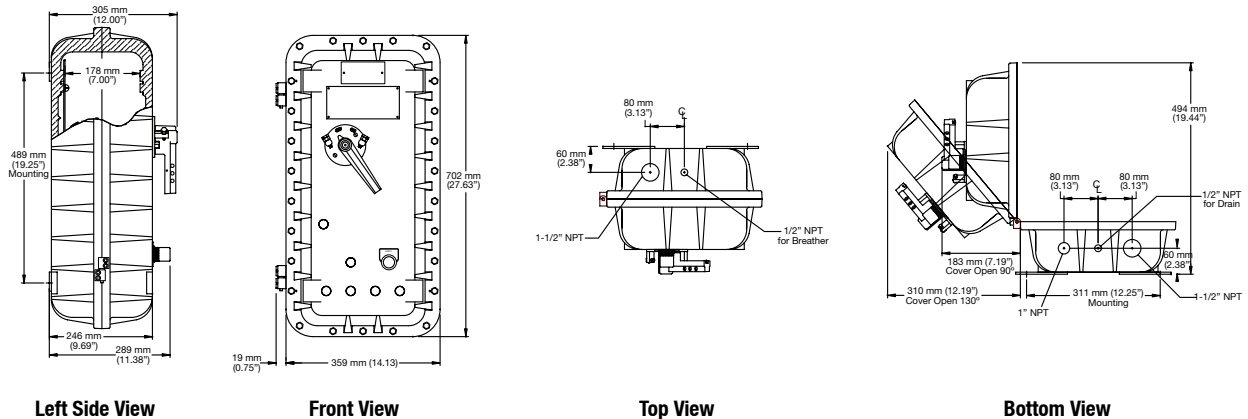
Combination Lighting Contactor – 3-Pole – 60 Hertz, 120 V Coil

| Line Voltage | Enclosure Size | Contactor Amps | Contactor Amps | Number of Poles | Catalog Number [▲] | Approximate Weight kg (lb) | Conduit Size (Inches) | Mounting Hardware Set Catalog Number |
|--------------|----------------|----------------|----------------|-----------------|-----------------------------|----------------------------|-----------------------|--------------------------------------|
| 120 | 1 | 30 | 40 | 3 | AELBBN1S1F3 | 57 (125) | 1-1/2 | AMH7 |
| | | | | 6 | AELBBN1S1F6 | | | |
| | | | | 9 | AELBBN1S1F9 | | | |
| | | | | 12 | AELBBN1S1F12 | | | |

Wiring Diagram



Dimensions in Millimeters (Inches) – Combination Lighting Contactor



[▲] To complete the catalog number please add the appropriate suffix for other options/features. Suffixes, see AEB Series Motor Starters Modifications.

AELB Series 65 kAIC Bolted Motor Starters and Contactors

Explosionproof, Dust-Ignitionproof, Watertight

Full Voltage. Combination and Non-Combination.

NEC:

Class I, Division 1 and 2, Groups C, D
 Class I, Zone 1 and 2, Groups IIB
 Class II, Division 1 and 2, Groups E, F, G
 Class III
 NEMA 4, 4X, 7BCD, 9EFG

Modifications

| Description | Suffix Factory Installed | Catalog Number Field Installed |
|---|--------------------------------|--------------------------------------|
| Operators ① | | |
| Start/Stop dual push button | S3X | AEPDGRE |
| Stop push button | S2X | AEPRC |
| Start push button | S1X | AEPGA |
| Stop, lighted PB, red 120 Vac | LP5X | AEP TRE |
| Start, lighted PB, green 120 Vac | LP4X | AEPTGE |
| 3 position selector switch specify legend | A3X | AESS31MN |
| 2 position selector switch specify legend | A2X | AESS22ML |
| Red pilot light, 120 Vac | L5 | AEPL1R |
| Green pilot light, 120 Vac | L4 | AEPL1G |
| Red pilot light, 240 Vac | L52 | AEPL2R |
| Green pilot light, 240 Vac | L42 | AEPL2G |
| Red pilot light, 480 Vac | L54 | AEPL4R |
| Green pilot light, 480 Vac | L44 | AEPL4G |
| NEMA 4X Breather/Drain Fittings | | |
| Drain fitting | DN | DRNB4X |
| Breather fitting (Drilled and tapped installation included.) | BR | BRTB4X |
| Control Power Options ②③ | | |
| Fused CPT, 50 Va | T1 | AFCPT050 |
| Fused CPT, 100 Va | T2 | AFCPT100 |
| Fused CPT, 200 Va | T3 | AFCPT200 |
| Fused CPT, 250 Va | T4 | AFCPT250 |
| Fused CPT, 50 Va w/interposing relay | T5 | AFCPT050R |
| Fused CPT, 150 Va | T6 | AFCPT150 |
| Fused CPT, 300 Va | T7 | AFCPT300 |
| Fused CPT, 500 Va | T8 | AFCPT500 |
| Fused CPT, 750 Va | T9 | AFCPT750 |
| Separate control fused circuit | S-120V | n/a |
| Specify starter coil voltage | S-240V | n/a |
| | S-480V | n/a |

| Description | Suffix Factory Installed | Catalog Number Field Installed |
|---|--------------------------------|--------------------------------------|
| Nameplates | | |
| Engraved nameplate — black letters on white surface, 50.8 x 101.6 mm (2" x 4"), 3.18 mm (0.125") letters, 3 lines max. specify legend | NP | — |
| Space Heater | | |
| 40 Watt enclosure space heaters | 120 Vac | O-120V |
| | 240 Vac | O-240V |
| | 480 Vac | O-480V |
| Control Terminal Blocks (Above 12 points contact your local representative) | | |
| 20 Amp, 600 Vac | 8 point | 8K |
| NEMA 1B w/wire markers | 12 point | 12K |
| Cutler-Hammer + Starter Auxiliary Contacts | | |
| Size 0-4 ④ | 1NO/1NC | X11C |
| | 2NO/2NC | X22C |
| Size 5 ⑤ | 1NO/1NC | X511C |
| | 2NO/2NC | X522C |
| Square D ® Starter Auxiliary Contacts | | |
| Size 0-5 ⑥ | 1NO/1NC | X11S |
| | 2NO/2NC | X22S |
| Number of Poles on Lighting Contactors | | |
| 30 Amp, 120 Vac | 3 Poles | 3 |
| 30 Amp, 120 Vac | 6 Poles | 6 |
| 30 Amp, 120 Vac | 9 Poles | 9 |
| 30 Amp, 120 Vac | 12 Poles | 12 |

CONTROLS: NEC/CEC EXPLOSIONPROOF MOTOR STARTERS

APPLETON™

NOTE: **CPT** includes primary and secondary fuses.

① Add —L to part no. for Size 5 starters.

② Size 1 and 2 150 Vac Max. Size 3 and 4 300 Vac Max.

③ Contact your local representative for other voltages.

④ 8 Aux. Contacts Max. includes one seal-in and seven added.

⑤ 4 Aux. Contacts Max. includes one seal-in and three added.

⑥ Size 0-1 includes one seal-in and four added. Size 2-5 includes one seal-in and three added.

+ Cutler-Hammer is a registered trademark of Eaton Corporation.

■ Square D is a registered trademark of Schneider Electric.