

Type 1122KE, 1122KF Special Application Gauge



Type 1122KE

FEATURES

- Accuracy ASME B40.100 Grade A ($\pm 2-1-2\%$ of span)
- Dial size 2½" only

The Ashcroft® Type 1122 is a specialized product used for pump, turbine and compressor applications.

TEMPERATURE LIMITS

	Ambient	Process	Storage
Dry	-20/200°F (-29/93°C)	-20/250°F (-29/121°C)	-40/250°F (-40/121°C)

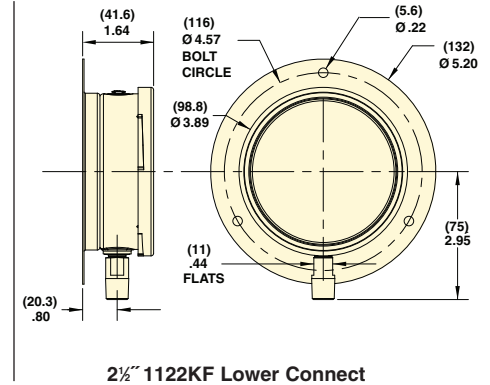
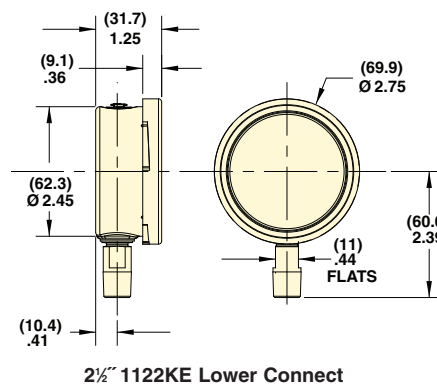
Note: Other than discoloration of the dial and hardening of the gasketing that may occur as ambient or process temperatures exceeds 150°F, non-liquid-filled gauges with polycarbonate windows, can withstand continuous operating temperatures up to 250°F (121°C) but the window will tend to yellow. Accuracy at temperatures above or below the reference ambient temperature of 68°F (20°C) will be affected by approximately .4% per 25°F. Gauges with welded joints will withstand 750°F (450°F) (232°C) for short times without rupture, although other parts of the gauge will be destroyed and calibration will be lost. For continuous use and for process or ambient temperatures above 250°F (121°C), a diaphragm seal or capillary or siphon is recommended.

PRODUCT SPECIFICATIONS

Model Number:	1122KE lower connect, 1122KF lower connect with back flange
Accuracy:	2%-1%-2% ASME Grade A
Case Style:	Open Front (dry only)
Case Material:	Stainless Steel
Dial Size:	2½"
Dial Material & Color:	White with Black Markings
Ring Type:	304SS, Bayonet
Bourdon Tube Material:	316 SS ⁽¹⁾
Socket Material:	Aluminum/Brass
Connection Size:	¼ NPT
Connection Location:	KE: Lower (L) KF: Lower w/back flange
Range Limits:	15-1000 psi
Mounting:	Stem, Surface
Pointer:	Adjustable
Window:	Polycarbonate
Warranty:	1 Year

⁽¹⁾ Joints welded

DIMENSIONS



CASE TYPE

Gauge Type Number	Dial Size (inches)	Case & Ring Material Finish	Bourdon Tube & Tip Material	Socket Material	Pressure Range (psi)	Pointer	Movement	NPT Connection	Weight (lbs.)
1122KE 1122KF	2½"	Case: Stainless steel Ring: Bayonet Lock, St.St. Both polished	316 SS	Bronze	15/1000	Adjustable	Stainless steel	¼	.5

25 1122KE/1122KF PRODUCT CODING

Typical Code:

25	1122KE	02	L	100#		
SIZE	TYPE NUMBER	CASE DESIGN	PROCESS CONN. SIZE	CONNECTION LOCATION	RANGE (psi)	
(25)	2½"	1122KE 1122KF	Description Open Front	Code NPT (02) ¼ Male	Code Description (L) Lower	15 30 60 100 160 200 300 400 600 1000

All specifications are subject to change without notice.
All sales subject to standard terms and conditions.
© 2016 Ashcroft Inc. Rev. 07/16

Ashcroft Inc., 250 East Main Street, Stratford, CT 06614 USA
Tel: 203-378-8281 • Fax: 203-385-0408
email: info@ashcroft.com • www.ashcroft.com

Type 1122KE, 1122KF Special Application Gauge

STANDARD METRIC RANGES							
Range		Dial Graduations		Range	Dial Graduations		Outer Scale When Dual Range Specified psi
kg/cm ² (Kilograms per sq. cm.)	Bar	Figure Interval	Minor Graduation	kPa (kilopascal)	Figure Interval	Minor Graduation	
Pressure							
0/1	0/1	0.1	0.01	0/100	10	1	0/14
0/1.6	0/1.6	0.2	0.02	0/160	20	2	0/22
0/2.5	0/2.5	0.5	0.05	0/250	50	5	0/35
0/4	0/4	0.5	0.05	0/400	50	5	0/55
0/6	0/6	0.5	0.1	0/600	50	10	0/85
0/10	0/10	1	0.1	0/1000	100	10	0/140
0/16	0/16	2	0.2	0/1600	200	20	0/220
0/25	0/25	5	0.5	0/2500	500	50	0/350
0/40	0/40	5	0.5	0/4000	500	50	0/550
0/60	0/60	5	1	0/6000	500	100	0/850
Compound							
-1/0/1.5	-1/0/1.5	0.5	0.05	-100/0/150	50	5	30" Hg/0/20
-1/0/3	-1/0/3	0.5	0.05	-100/0/300	50	5	30" Hg/0/40
-1/0/5	-1/0/5	0.5	0.1	-100/0/500	50	50	30" Hg/0/70

STANDARD RANGES		
Pressure (psi)	Figure Interval	Minor Grad.
0/15	5	1
0/30	10	2
0/60	15	5
0/100	20	10
0/160	40	10
0/200	50	10
0/300	100	25
0/400	100	25
0/600	150	50
0/1000	250	50