



## Instrumentation & Piping Products Monoflange & up to 2" Full Bore DBB Valves

(Up to and including 15,000 psi / 1035 bar)

*Innovative and Reliable Valve Solutions*

### NV09-F-BBO-08 I 50RF-04F04F-37L-E4-V9G-S###-P

VALVE CONFIGURATION	CODE
Single Block	NV07
Single Block and Bleed	NV08
Double Block and Bleed	NV09

CONFIGURATION	CODE
Flange x Thread	Blank
Flange x Flange	F
Thread x Flange Outlet	FR

OPERATOR TYPE	CODE
Screwed Fire Safe	Blank
Bolted	B
OS & Y Outside Screw and Yoke	O
Anti Tamper Screwed	AS
Bolted with Hand Wheel	BH
Bolted with Hand Wheel Lockable	BHL
OS & Y with Hand Wheel Lockable	OHL

FLANGE SIZE	CODE
1/2"	08
3/4"	12
1"	16
1 1/2"	24
1 3/4"	29
2"	32
2 1/4"	33

CLASS RATING	CODE
150	150
300	300
600	600
900	900
1500	1500
2500	2500
5K	A5
10K	A10

FLANGE STYLE	CODE
RTJ	RTJ
RF	RF
API	Blank
Flat Face	FF

THREADED CONNECTION	CODE
1/4" NPT	04F
1/2" NPT	Blank
1/4" MP	04FMP
3/8" MP	06FMP
9/16" MP	10FMP

Grey Sections of the product code represent possible configuration options

CODE	SURFACE COATINGS
Blank	Not Required
P	Paint
Z	Zinc

CODE	ADDITIONAL
Blank	Not Required
S###	Sample Probe
I###	Injection Quill
IC###	Injection Quill with Check Valve
CV	Check Valve Inlet, Thread x Flange Outlet

Note: ### To be replaced with probe/quill length in mm.

CODE	FIRE SAFE SEAL
G	Graphite 98%

CODE	STEM SEAL
Blank	Viton/RTFE
V9	V9 I 8 Elastomer/RTFE
HNBR	HNBR/RTFE

CODE	BORE
4	4mm

CODE	TIP MATERIAL
E	PEEK
Blank	Metal

CODE	BOLTING MATERIAL
Blank	316 ST/ST
L	A320 L7M Z&Y
B	A193 B8M

CODE	MATERIAL
26	A 182 F51
35	A 182 F55
36	A 182 F44
37	A 182 F316
38	A350 LF2
42	625
49	825

CODE	VENT CONNECTION
04F	1/4" NPT
08F	1/2" NPT
04FMP	1/4" MP
06FMP	3/8" MP
Blank	NPT Size as per Threaded Connection

**Accuracy of information**  
We take care to ensure that product information in this catalogue is reasonably accurate and up-to-date. However, our products are continually developed and updated so to ensure accurate and up-to-date information please refer to the product catalogue issued from our web site or contact a member of our sales team.

When selecting a product, the applicable operating system design must be considered to ensure safe use. The products function, material compatibility, adequate ratings, correct installation, operation and maintenance are the responsibilities of the system designer and user.

**Quality Assurance**  
All Bifold products are manufactured to a most stringent QA programme to ensure that every product will give optimum performance and reliability. We are third party certified to EN ISO 9001:2000. Functional test certificates, letter of conformity and copies of original mill certificates, providing total traceability are available on request, to BS EN 10204 3.1.B where available. We reserve the right to make changes to the specifications and design etc., without prior notice.

Product Features

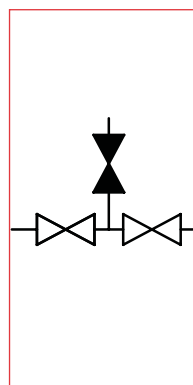
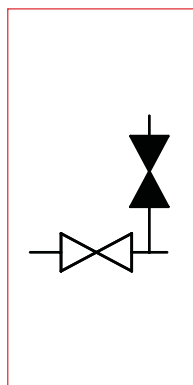
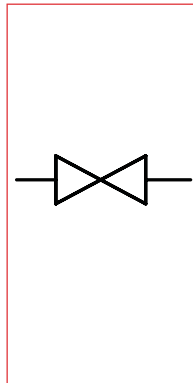
Product Description

This range of products is designed to replace conventional multi-valve installations currently in use for interface with pressure measuring systems. By combining customer specified valves into a single manifold the number of leak paths is reduced resulting in a one piece solution also providing positive installation cost savings.

Product



Schematic



- ½" to 2" N.B. Flanges (15 to 50 DN).
- ANSI B16.5 150 2500 flange class and API 10,000.
- ½" NPT (female) standard outlet.
- ½" NPT (female) standard vent.
- Variety of optional end connection sizes and thread forms.
- Standard materials of construction: Stainless steel
- ASTM A182 F316/F316L, Carbon steel ASTM A350 LF2/A105, Duplex ASTM A182 F51.
- Optional materials include Super Duplex, Monel, Hastelloy, 6Mo, Incoloy.
- Combined needle and O.S. & Y. valves available.
- Raised face and ring type joint flange face styles.
- One-piece forged construction flange as standard.
- Optional fire safe designed to meet BS6755 part 2/API 607.
- Pressure boundary designs calculated to ASME VIII Div. I.
- 4:1 Factor of safety.
- Heat code traceable material to EN10204.3.1.
- Bubble tight shut off valve seats.
- Optional PEEK tips available.
- Optional locking and anti tamper devices for all valve types available.
- NACE MR 0175/ISO 15156 compliant material available on request.
- Permanent marked body with full specification details.
- Available with various non-threaded connections.

**Accuracy of information**  
We take care to ensure that product information in this catalogue is reasonably accurate and up-to-date. However, our products are continually developed and updated so to ensure accurate and up-to-date information please refer to the product catalogue issued on our web site or contact a member of our sales team.

When selecting a product, the applicable operating system design must be considered to ensure safe use. The products function, material compatibility, adequate ratings, correct installation, operation and maintenance are the responsibilities of the system designer and user.

**Quality Assurance**  
All Bifold products are manufactured to a most stringent QA programme to ensure that every product will give optimum performance and reliability. We are third party certified to EN ISO 9001:2000. Functional test certificates, letter of conformity and copies of original mill certificates, providing total traceability are available on request, to BS EN 10204.3.1.8 where available. We reserve the right to make changes to the specifications and design etc., without prior notice.

## BV Order Code



### BV06-L-08 I 50RF- I 2F-O04F37B-I0-V9TC-IC320-P

VALVE CONFIGURATION	CODE
Flange by Thread	BV06
Flange by Flange	BV07

BALL OPERATOR TYPE	CODE
Standard	Blank
Standard Lockable	L
Bolted	B
Bolted Lockable	BL
OS & Y	O
OS & Y Lockable	OL

FLANGE SIZE	CODE
1/2"	08
3/4"	12
1"	16
1 1/2"	24
1 3/4"	29
2"	32
2 1/4"	33

CLASS RATING	CODE
150	150
300	300
600	600
900	900
1500	1500
2500	2500
5K	A5
10K	A10

FLANGE STYLE	CODE
RTJ	RTJ
RF	RF
API	Blank
Flat Face	FF

THREADED CONNECTION BV06 ONLY	CODE
1/4" NPT	04F
1/2" NPT	Blank
3/4" NPT	I2F
1/4" MP	04FMP
3/8" MP	06FMP
1/2" MP	10FMP

Grey Sections of the product code represent possible configuration options

CODE	SURFACE COATINGS
Blank	Not Required
P	Paint
Z	Zinc

CODE	ADDITIONAL
Blank	Not Required
S###	Sample Probe
I###	Injection Quill
IC###	Injection Quill with Check Valve
CV	Check Valve Inlet, Thread x Flange Outlet

Note: ### To be replaced with probe/quill length in mm.

CODE	SEAL TYPE
Blank	Viton/Graphite/PEEK
V9TC	V918 Elastomer/Graphite/PEEK
HNBRTC	HNBR/Graphite/PEEK
VTG	Viton/Graphite/RTFE
V9TG	V918 Elastomer/Graphite/RTFE
HNBRTG	HNBR/Graphite/RTFE

CODE	BORE
10	10mm
15	15mm
20	20mm
25	25mm

CODE	BOLTING MATERIAL
Blank	316 ST/ST/N/R
L	A320 L7M Z&Y
B	A193 B8M

CODE	MATERIAL
26	A182 F51
35	A182 F55
36	A182 F44
37	A182 F316
38	A350 LF2
42	625
49	825

CODE	VENT CONNECTION
04F	1/4" NPT
Blank	1/2" NPT
I2F	3/4" NPT

CODE	VENT OPERATOR TYPE
Blank	Screwed do not repeat if all 'S'
B	Bolted
O	OS & Y Outside Screw and Yoke
AS	Anti Tamper Screwed
BH	Bolted with Hand Wheel
OH	OS & Y with Hand Wheel
BHL	Bolted with Hand Wheel Lockable
OHL	OS & Y with Hand Wheel Lockable

**Accuracy of information**  
We take care to ensure that product information in this catalogue is reasonably accurate and up-to-date. However, our products are continually developed and updated so to ensure accurate and up-to-date information please refer to the product catalogue issued from our web site or contact a member of our sales team.

When selecting a product, the applicable operating system design must be considered to ensure safe use. The products function, material compatibility, adequate ratings, correct installation, operation and maintenance are the responsibilities of the system designer and user.

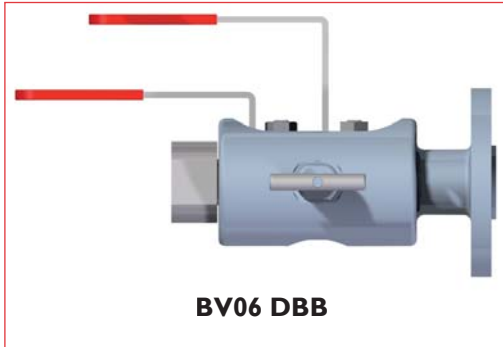
**Quality Assurance**  
All Bifold products are manufactured to a most stringent QA programme to ensure that every product will give optimum performance and reliability. We are third party certified to EN ISO 9001:2000. Functional test certificates, letter of conformity and copies of original mill certificates, providing total traceability are available on request, to BS EN 10204 3.1.B where available. We reserve the right to make changes to the specifications and design, etc., without prior notice.

Product Features

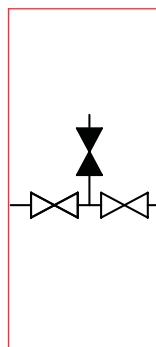
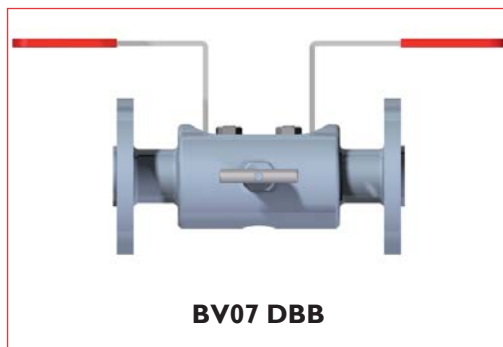
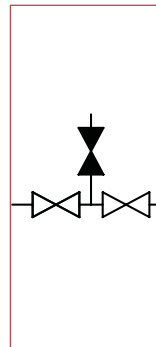
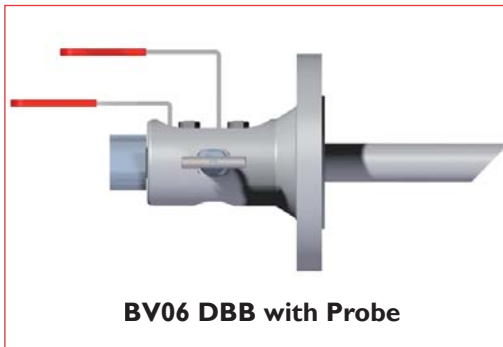
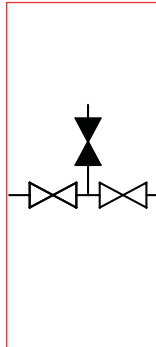
Product Description

This range of products is designed to replace conventional multi-valve installations currently in use for interface with pressure measuring systems. By combining customer specified valves into a single manifold the number of leak paths is reduced resulting in a one piece solution also providing positive installation cost savings and operational safety factors.

Features



Schematic



- 1/2" to 3" N.B. Flanges (15 to 50 DN).
  - ANSI B16.5 150 2500 flange class and API 10,000.
  - 10mm/15mm/20mm/25mm full bore valve design.
  - 1/2" NPT (female) standard outlet.
  - 1/2" NPT (female) standard vent.
  - Variety of optional end connection sizes and thread forms.
- Standard materials of construction: Stainless steel
- ASTM A182 F316/F316L, Carbon steel ASTM A350 LF2/A105, Duplex ASTM A182 F51.
  - Optional materials include Super Duplex, Monel, Hastelloy, 6Mo, Incoloy.
- Instrument connections available.
  - Raised face and ring type joint flange face styles.
  - One-piece forged construction flange as standard.
  - Optional fire safe designed to meet BS6755 part 2/API 607.
  - Pressure boundary designs calculated to ASME VIII Div. I.
  - 4:1 Factor of safety.
  - Heat code traceable material to EN10204.3.1.
  - Bubble tight shut off.
  - Positive lever stop.
  - Optional locking and anti tamper devices for all valve types available.
  - NACE MR 0175/ISO 15156 compliant material available on request.
  - Permanent marked body with full specification details.
  - Available with various non-threaded connections.

**Accuracy of information**  
We take care to ensure that product information in this catalogue is reasonably accurate and up-to-date. However, our products are continually developed and updated so to ensure accurate and up-to-date information please refer to the product catalogue issued on our web site or contact a member of our sales team.

When selecting a product, the applicable operating system design must be considered to ensure safe use. The products function, material compatibility, adequate ratings, correct installation, operation and maintenance are the responsibilities of the system designer and user.

**Quality Assurance**  
All Bifold products are manufactured to a most stringent QA programme to ensure that every product will give optimum performance and reliability. We are third party certified to EN ISO 9001:2000. Functional test certificates, letter of conformity and copies of original mill certificates, providing total traceability are available on request, to BS EN 10204.3.1.8 where available. We reserve the right to make changes to the specifications and design etc., without prior notice.



BV Order Code

BV09-L-32I50RF-B04F-37-L-50-V9TC-P

VALVE CONFIGURATION	CODE
Double Block & Bleed	BV09

BALL OPERATOR TYPE	CODE
Standard	Blank
Standard Lockable	L
Bolted	B
Bolted Lockable	BL

FLANGE SIZE	CODE
1 1/2"	24
1 3/4"	29
2"	32
2 1/6"	33
3"	42

CLASS RATING	CODE
150	150
300	300
600	600
900	900
1500	1500
2500	2500
5K	A5
10K	A10

FLANGE STYLE	CODE
RTJ	RTJ
RF	RF
API	Blank
Flat Face	FF

VENT OPERATOR TYPE	CODE
Screwed Fire Safe	Blank
Bolted	B
OS & Y Outside Screw and Yoke	O
Anti Tamper Screwed	AS
Bolted with Hand Wheel	BH
OS & Y with Hand Wheel	OH
Bolted with Hand Wheel Lockable	BHL
OS & Y with Hand Wheel Lockable	OHL

VENT CONNECTION	CODE
1/4" NPT	04F
1/2" NPT	Blank
3/4" NPT	12F

Grey Sections of the product code represent possible configuration options

CODE	SURFACE COATINGS
Blank	Not Required
P	Paint
Z	Zinc
N	Additional Material Requirements

CODE	SEAL TYPE
Blank	Viton/Graphite/PEEK
V9TC	V918 Elastomer/Graphite/PEEK
HNBRTC	HNBR/Graphite/PEEK
VTG	Viton/Graphite/RTFE
V9TG	V918 Elastomer/Graphite/RTFE

CODE	BORE
38	38mm
50	50mm

CODE	BOLTING MATERIAL
L	A320 L7M Z&Y
Blank	A193 B&M

CODE	MATERIAL
26	A182 F51
35	A182 F55
36	A182 F44
37	A182 F316
38	A350 LF2
42	625
49	825

CODE	FLANGE STYLE
RTJ	RTJ
RF	RF
API	API
Flat Face	FF

CODE	FLANGE STYLE
150	150
300	300
600	600
900	900
1500	1500
2500	2500
5K	5K
10K	A10

CODE	FLANGE SIZE
24	1 1/2"
29	1 3/4"
32	2"
33	2 1/6"
42	3"

**Accuracy of information**  
We take care to ensure that product information in this catalogue is reasonably accurate and up-to-date. However, our products are continually developed and updated so to ensure accurate and up-to-date information please refer to the product catalogue issued from our web site or contact a member of our sales team.

When selecting a product, the applicable operating system design must be considered to ensure safe use. The products function, material compatibility, adequate ratings, correct installation, operation and maintenance are the responsibilities of the system designer and user.

**Quality Assurance**  
All Bifold products are manufactured to a most stringent QA programme to ensure that every product will give optimum performance and reliability. We are third party certified to EN ISO 9001:2000. Functional test certificates, letter of conformity and copies of original mill certificates, providing total traceability are available on request, to BSEN 10204.3.1.B where available. We reserve the right to make changes to the specifications and design etc., without prior notice.

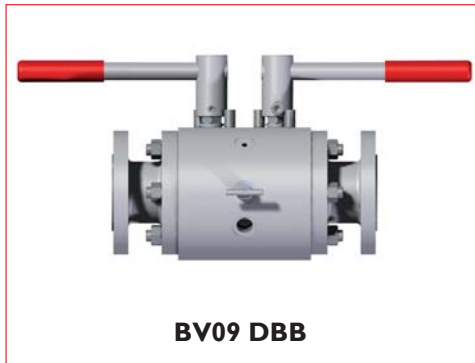
## Product Features



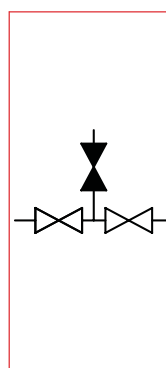
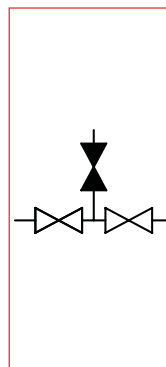
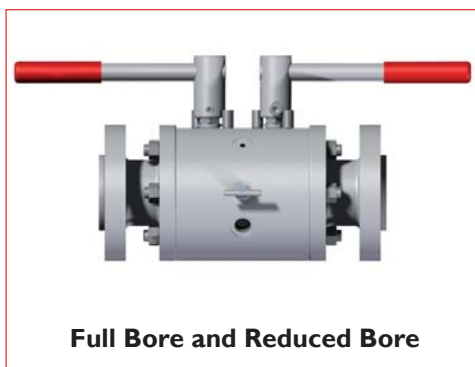
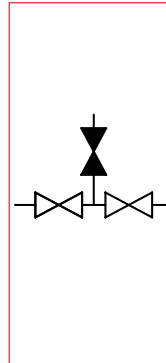
### Product Description

This range of products is designed to replace conventional multi-valve installations currently in use on process lines. By combining customer specified valves into a single manifold the number of leak paths is reduced resulting in a one unit solution also providing positive installation space, cost and weight saving.

#### Product



#### Schematic



- ½" to 2" N.B. Flanges (15 to 50 DN).
- ANSI B16.5 150 2500 flange class and API 10,000.
- ½" NPT (female) standard outlet.
- ½" NPT (female) standard vent.
- Variety of optional end connection sizes and thread forms.

Standard materials of construction: Stainless steel

- ASTM A182 F316/F316L, Carbon steel ASTM A350 LF2/A105, Duplex ASTM A182 F51.

- Optional materials include Super Duplex, Monel, Hastelloy, 6Mo, Incoloy.
- Combined needle and O.S. & Y. valves available.
- Raised face and ring type joint flange face styles.
- One-piece forged construction flange as standard.
- Optional fire safe designed to meet BS6755 part 2/API 607.
- Pressure boundary designs calculated to ASME VIII Div. I.
- Full ASME B16.34 design.
- Heat code traceable material to EN10204.3.1.
- Bubble tight shut off valve seats.
- Optional PEEK tips available.
- Optional locking and anti tamper devices for all valve types available.
- NACE MR 0175/ISO 15156 compliant material available on request.
- Permanent marked body with full specification details.
- Available with various non-threaded connections.

#### Accuracy of information

We take care to ensure that product information in this catalogue is reasonably accurate and up-to-date. However, our products are continually developed and updated so to ensure accurate and up-to-date information please refer to the product catalogue issued on our web site or contact a member of our sales team.

When selecting a product, the applicable operating system design must be considered to ensure safe use. The products function, material compatibility, adequate ratings, correct installation, operation and maintenance are the responsibilities of the system designer and user.

**Quality Assurance**  
All Bifold products are manufactured to a most stringent QA programme to ensure that every product will give optimum performance and reliability. We are third party certified to EN ISO 9001:2000. Functional test certificates, letter of conformity and copies of original mill certificates, providing total traceability are available on request, to BSEN 10204.3.1.8 where available. We reserve the right to make changes to the specifications and design etc., without prior notice.

Options

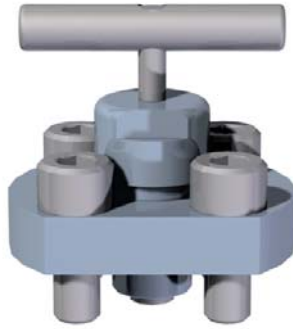


Product Options

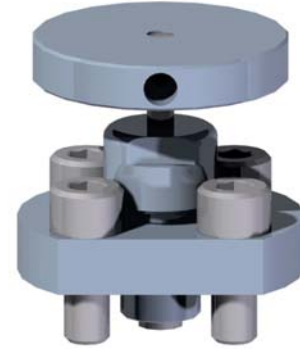
The range of products displayed in this brochure, are designed to accommodate all the options shown below. If the style or arrangement required for your application is not shown please contact our office with full description and specification details.



Anti Tamper Fire Safe



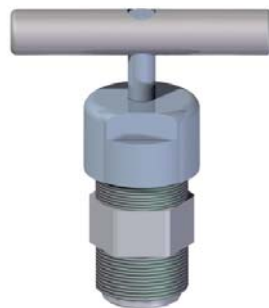
Bolted Fire Safe



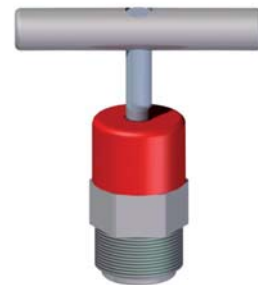
Bolted Hand Wheel Fire Safe



OS & Y Fire Safe



Screwed Fire Safe



Screwed Non Fire Safe



OS & Y Fire Safe Ball Valve

**Accuracy of information**  
We take care to ensure that product information in this catalogue is reasonably accurate and up-to-date. However, our products are continually developed and updated so to ensure accurate and up-to-date information please refer to the product catalogue issued on our web site or contact a member of our sales team.

When selecting a product, the applicable operating system design must be considered to ensure safe use. The products function, material compatibility, adequate ratings, correct installation, operation and maintenance are the responsibilities of the system designer and user.

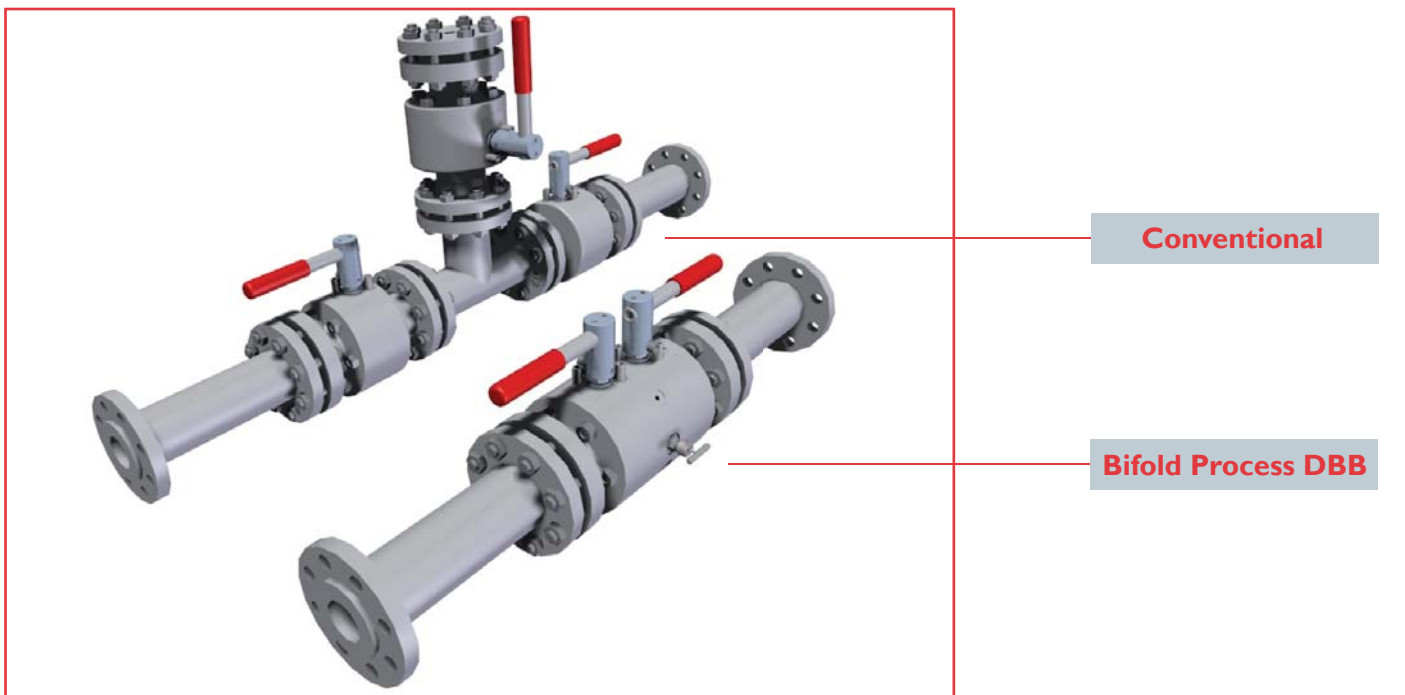
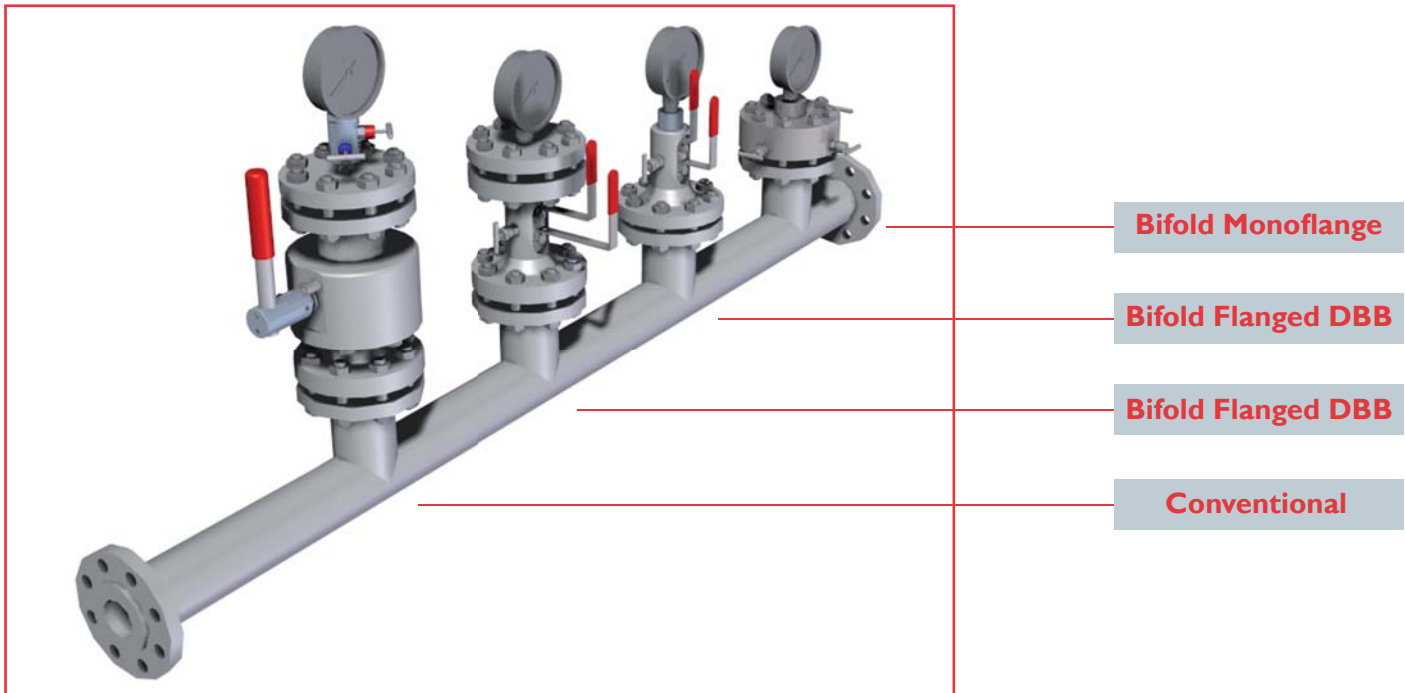
**Quality Assurance**  
All Bifold products are manufactured to a most stringent QA programme to ensure that every product will give optimum performance and reliability. We are third party certified to EN ISO 9001:2000. Functional test certificates, letter of conformity and copies of original mill certificates, providing total traceability are available on request, to BSEN 10204.3.1.B where available. We reserve the right to make changes to the specifications and design etc., without prior notice.



Overview

Overview

The Bifold Monoflanges, Flanged Double Block and Bleed and Process Double Block and Bleed products are designed to overcome the problems of traditional assemblies on primary isolation duties. By combining piping and instrument valves in a single assembly, they provide weight and space savings, along with other benefits including a reduction in potential leak paths. This compact and efficient arrangement reduces installation and maintenance costs.



**Innovative and Reliable  
Valve Solutions**

# Bifold® Group

Bifold®

Bifold FluidPower®

Bifold® Subsea

Bifold®  Marshalsea

[www.bifold.co.uk](http://www.bifold.co.uk)

#### Accuracy of Information

We take care to ensure that product information in this catalogue is reasonably accurate and up-to-date. However, our products are continually developed and updated so to ensure accurate and up-to-date information please refer to the product catalogue issue list on our web site or contact a member of our sales team.

#### Quality Assurance

All Marshalsea products are manufactured to a most stringent QA programme. Every care is taken at all stages of manufacture to ensure that every product will give optimum performance and reliability. We are third party certified to EN ISO 9001:2000. Functional test certificate, letter of conformity and copies of original mill certificates, providing total traceability are available on request to BSEN 10204.3.1.B where available. We reserve the right to make changes to the specifications and design etc., without prior notice.

When selecting a product, the applicable operating system design must be considered to ensure safe use. The products function, material compatibility, adequate ratings, correct installation, operation, and maintenance are the responsibilities of the system designer and user.

Bifold, Bifold Fluidpower, Bifold Subsea and Marshalsea Hydraulics Ltd are all members of the Bifold Group. Registered No. 1787729 in England. Registered Office: Greenside Way, Middleton, Manchester, M24 1SV.

#### UK Office

Bifold Fluidpower Ltd  
Greenside Way,  
Middleton, Manchester,  
M24 1SV, UK.  
Tel: +44 (0) 161 345 4777  
Fax: +44 (0) 161 345 4780  
Web: [www.bifold.co.uk](http://www.bifold.co.uk)

#### Marshalsea Hydraulics Limited

Marshalsea House, Venture Way  
Priorswood Industrial Estate  
Taunton, Somerset, TA2 8DE, UK.  
Tel: +44 (0) 1823 331081  
Fax: +44 (0) 1823 323382  
Email: [info@marshalsea.co.uk](mailto:info@marshalsea.co.uk)  
Web: [www.bifold.co.uk](http://www.bifold.co.uk)

#### USA Office

Bifold Fluidpower Ltd  
11490 Westheimer,  
Suite 900,  
Houston, TX, 77077.  
Tel: +1 (713) 783 4253  
Fax: +1 (713) 783 0067  
Web: [www.bifold.co.uk](http://www.bifold.co.uk)

#### Singapore Office

Bifold Fluidpower Ltd  
Toa Payoh Industrial Park,  
Lorong 8 #07-1475,  
Singapore, 3109075.  
Tel: +65 6735 1323  
Fax: +65 6735 1367  
Email: [bifold@singnet.com.sg](mailto:bifold@singnet.com.sg)  
Web: [www.bifold.co.uk](http://www.bifold.co.uk)